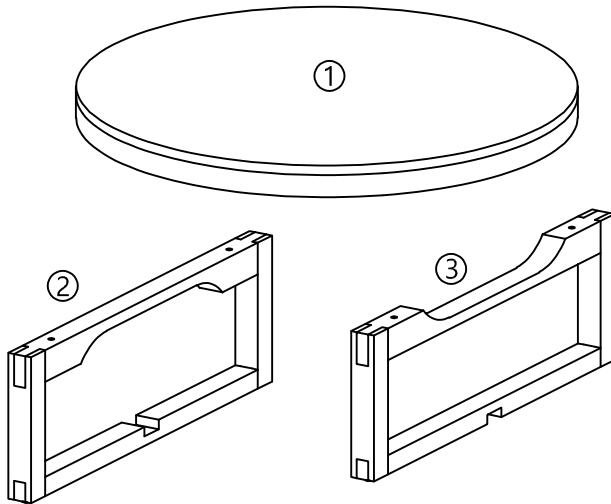




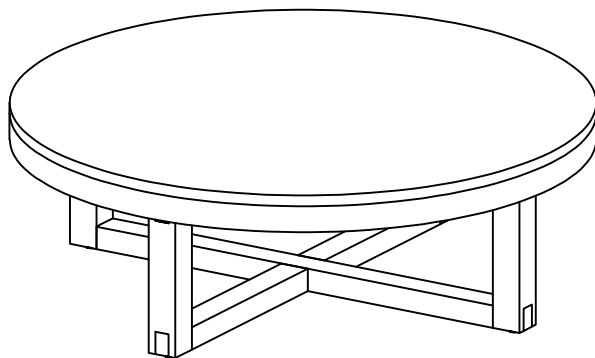
## ASSEMBLY INSTRUCTIONS

## MT MARK TUCKEY CROSS BASE COFFEE TABLE

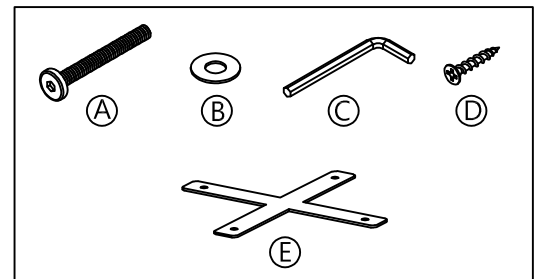
Please read instructions carefully. Remove all wrapping material, staples and packing straps from the carton. See hardware and furniture parts list for guidance. Be sure you have all parts before you start assembling. Place all wooden furniture parts on a clean flat soft surface, such as carpet or rug to prevent from being scratched.

PARTS INCLUDED

1. Top	: 1pc
2. Leg frame	: 1pc
3. Leg frame	: 1pc

HARDWARE LIST

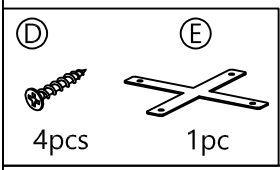
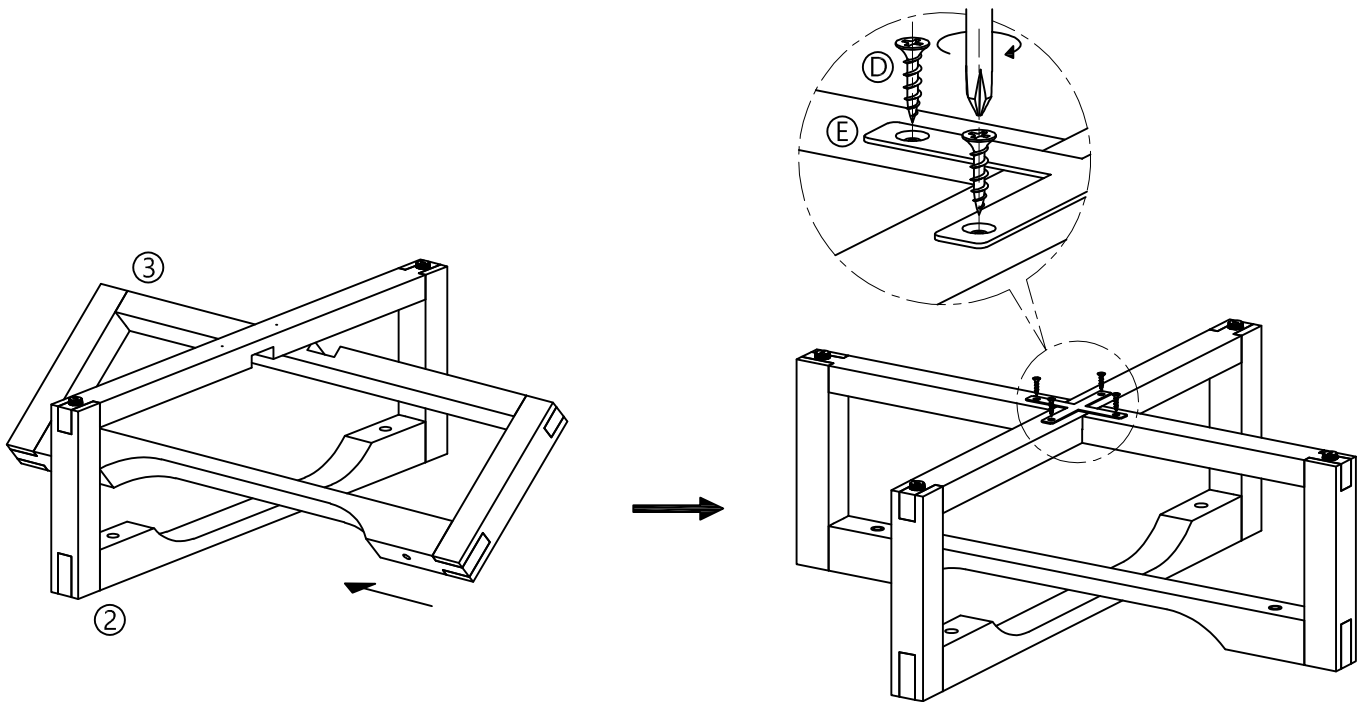
A. Bolt	: 4pcs
B. Washer	: 4pcs
C. Allen key	: 1pc
D. Screw	: 4pcs
E. Bracket	: 1pc



Phillips Head Screwdriver  
(Not included)



STEP 1



STEP 2

