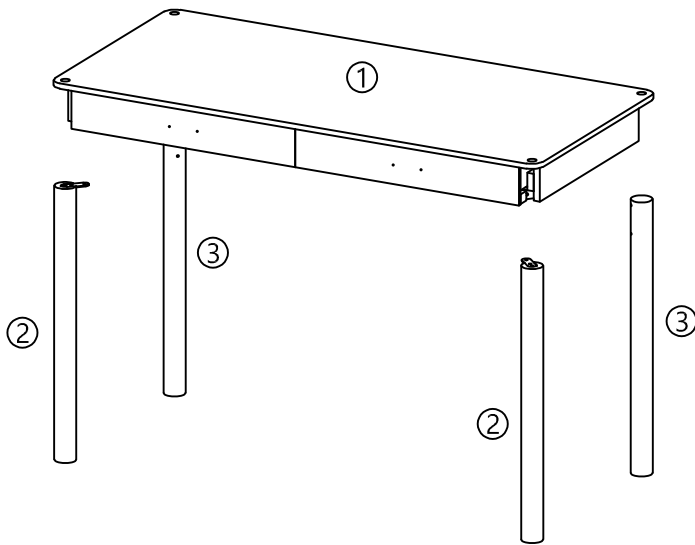




ASSEMBLY INSTRUCTIONS

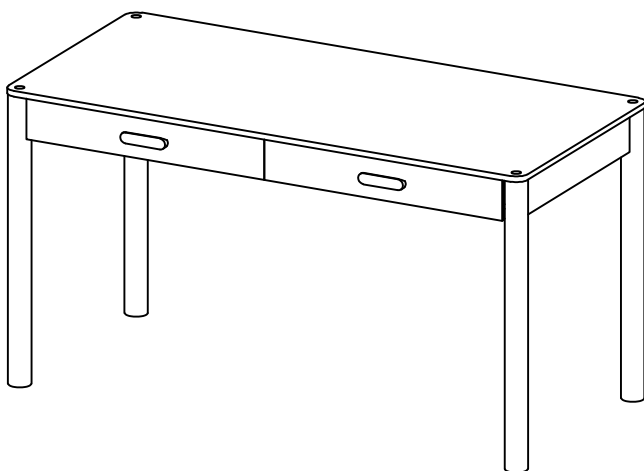
MT MARK TUCKEY BOSTON DESK

Please read instructions carefully. Remove all wrapping material, staples and packing straps from the carton. See hardware and furniture parts list for guidance. Be sure you have all parts before you start assembling. Place all wooden furniture parts on a clean flat soft surface, such as carpet or rug to prevent from being scratched.



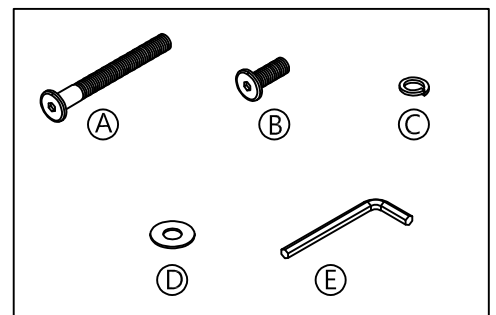
PARTS INCLUDED

1. Top	: 1pc
2. Front leg	: 2pcs
3. Back leg	: 2pcs



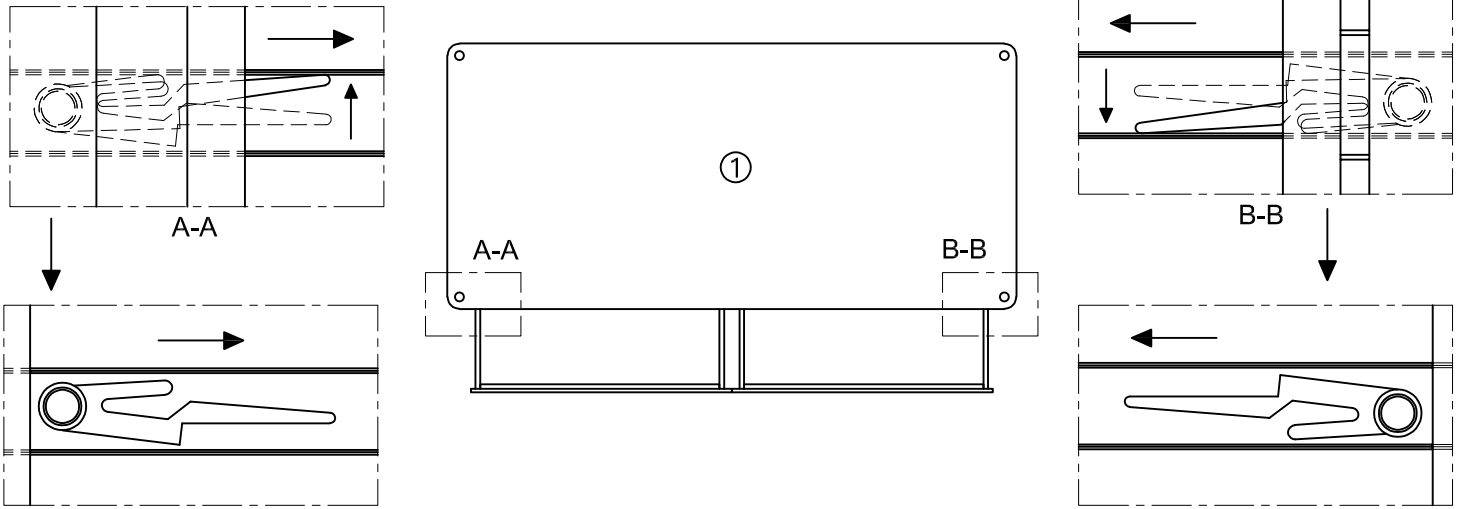
HARDWARE LIST

A. Long bolt	: 6pcs
B. Short bolt	: 2pcs
C. Spring washer	: 8pcs
D. Washer	: 8pcs
E. Allen key	: 1pc

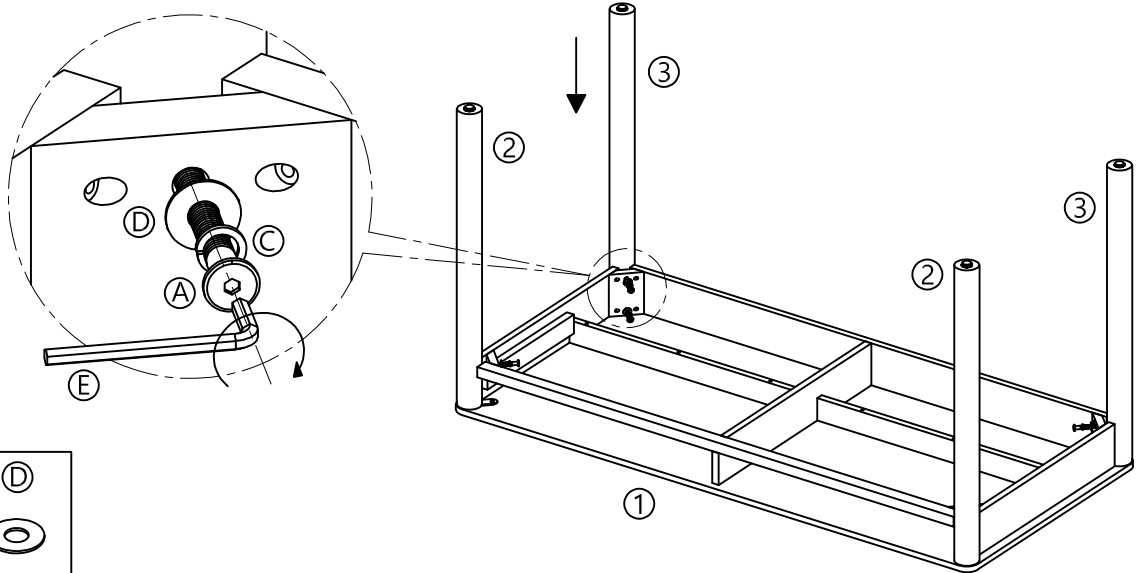







STEP 1

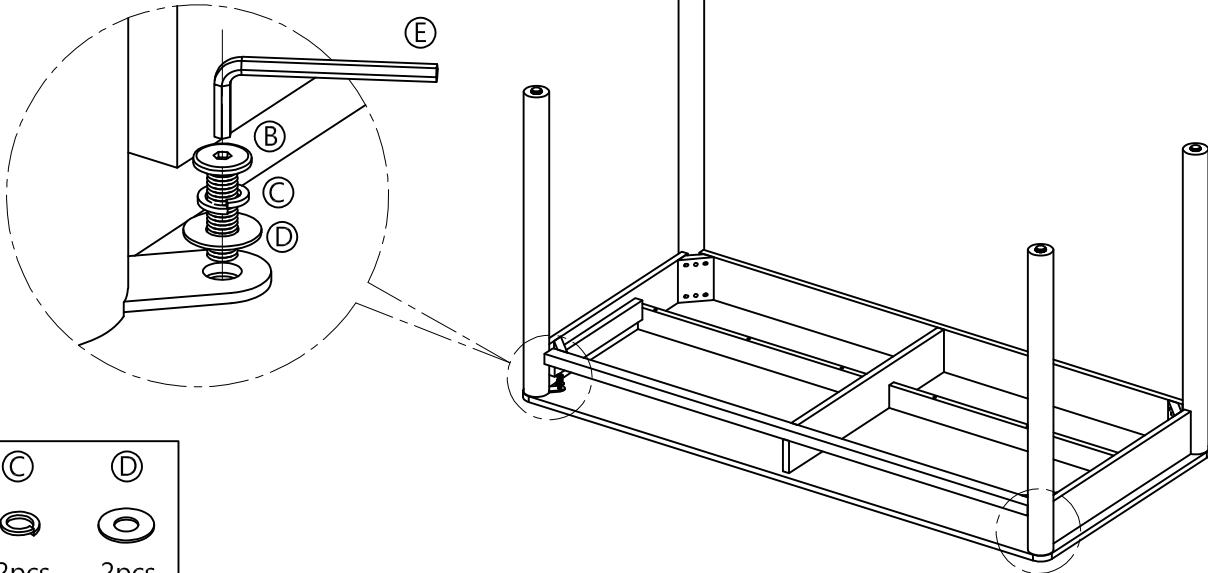





STEP 2



- | | | |
|--|---|---|
| (A)  | (C)  | (D)  |
| 6pcs | 6pcs | 6pcs |

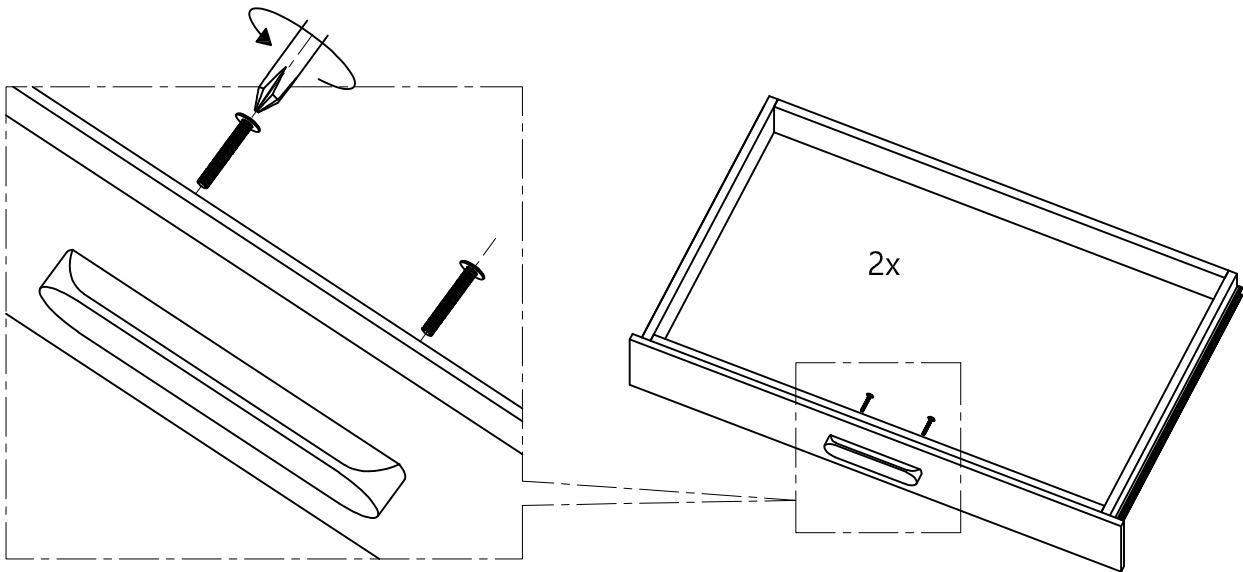
STEP 3



- | | | |
|--|---|---|
| (B)  | (C)  | (D)  |
| 2pcs | 2pcs | 2pcs |

**STEP 4**

Move handle from inside to outside.

**STEP 5**