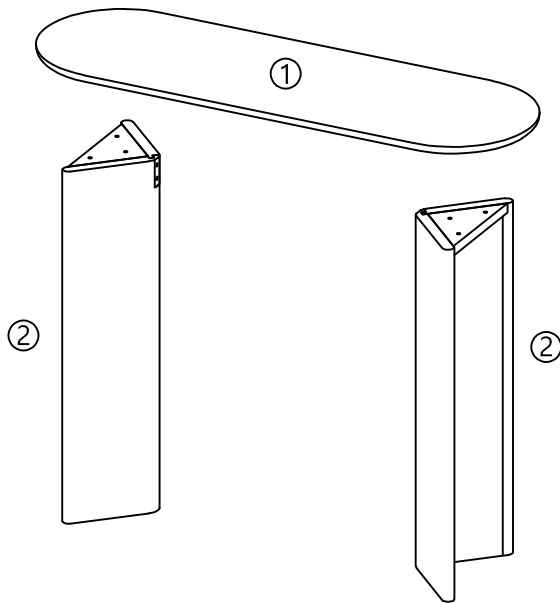


ASSEMBLY INSTRUCTIONS PARKER CONSOLE TABLE

Please read instructions carefully. Remove all wrapping material, staples and packing straps from the carton. See hardware and furniture parts list for guidance. Be sure you have all parts before you start assembling. Place all wooden furniture parts on a clean flat soft surface, such as carpet or rug to prevent from being scratched.

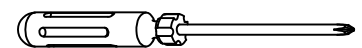
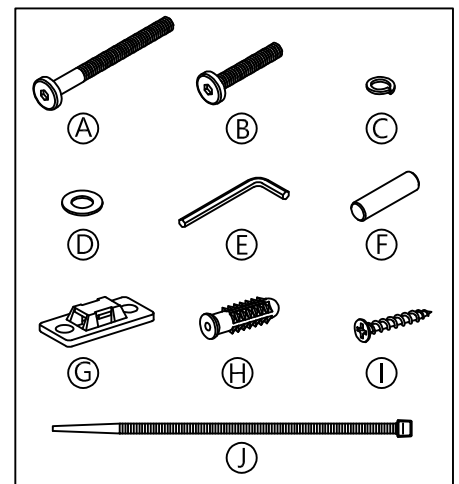


PARTS INCLUDED

- | | |
|--------------|--------|
| 1. Top | : 1pc |
| 2. Leg frame | : 2pcs |

HARDWARE LIST

- | | |
|--------------------|--------|
| A. Long bolt | : 2pcs |
| B. Short bolt | : 6pcs |
| C. Spring washer | : 8pcs |
| D. Flat washer | : 8pcs |
| E. Allen key | : 1pc |
| F. Dowel | : 2pcs |
| G. Plastic Bracket | : 1pc |
| H. Rawl Plug | : 2pcs |
| I. Screw | : 2pcs |
| J. Plastic Strap | : 1pc |



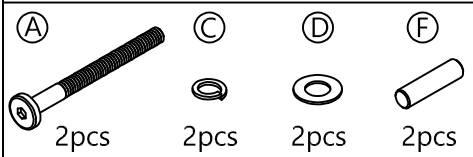
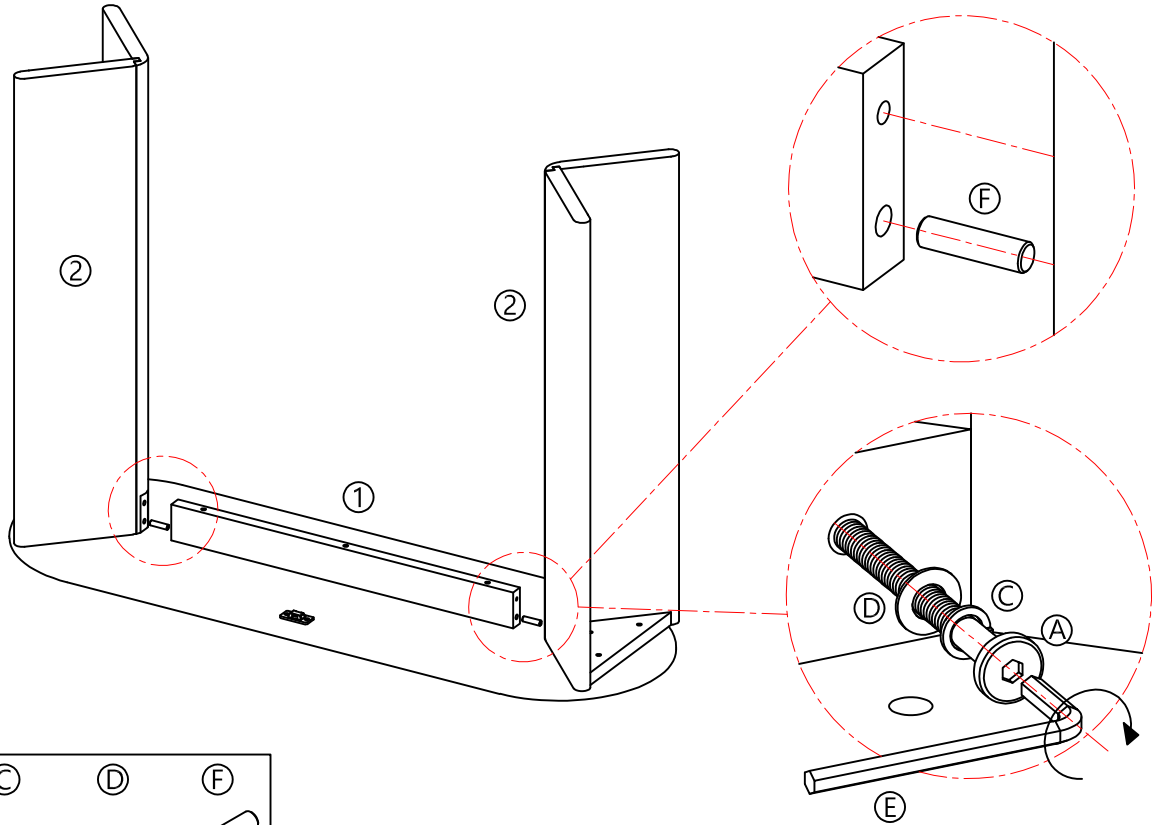
Phillips Head Screwdriver
(Not included)

ASSEMBLY INSTRUCTIONS

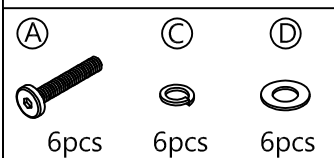
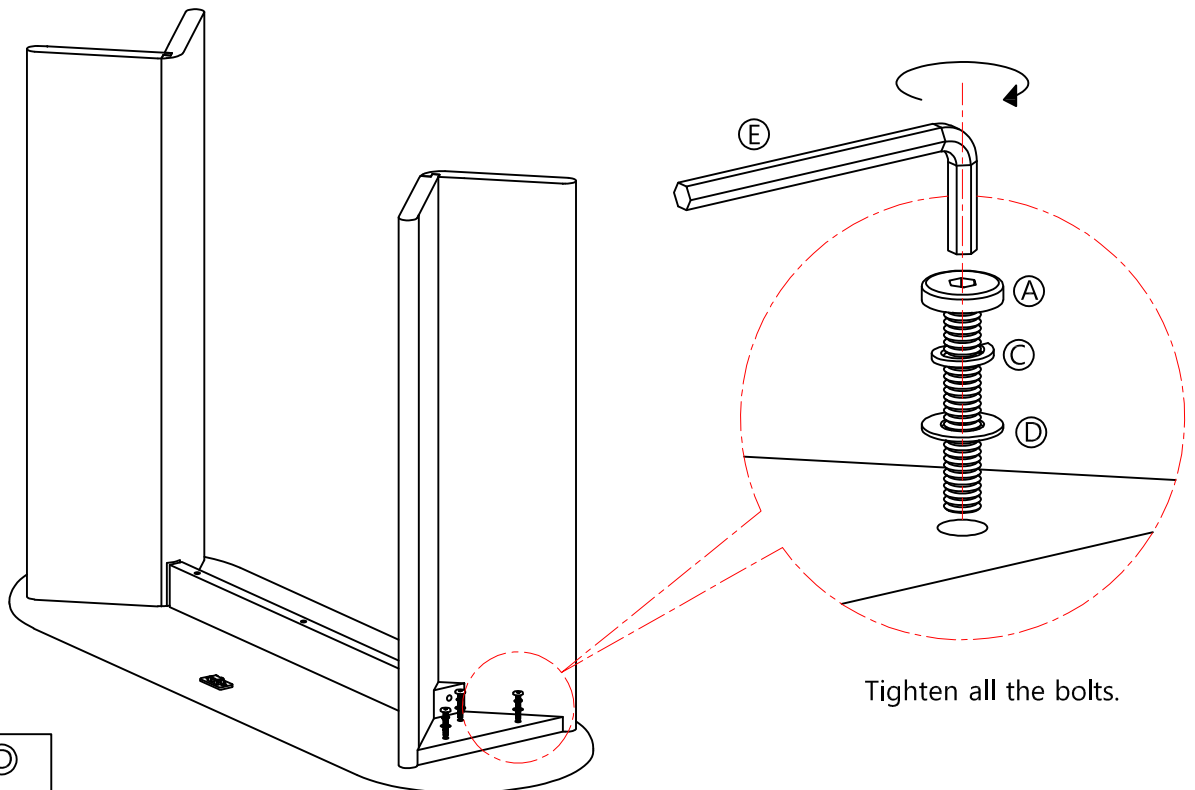
PARKER CONSOLE TABLE

adairs

STEP 1



STEP 2

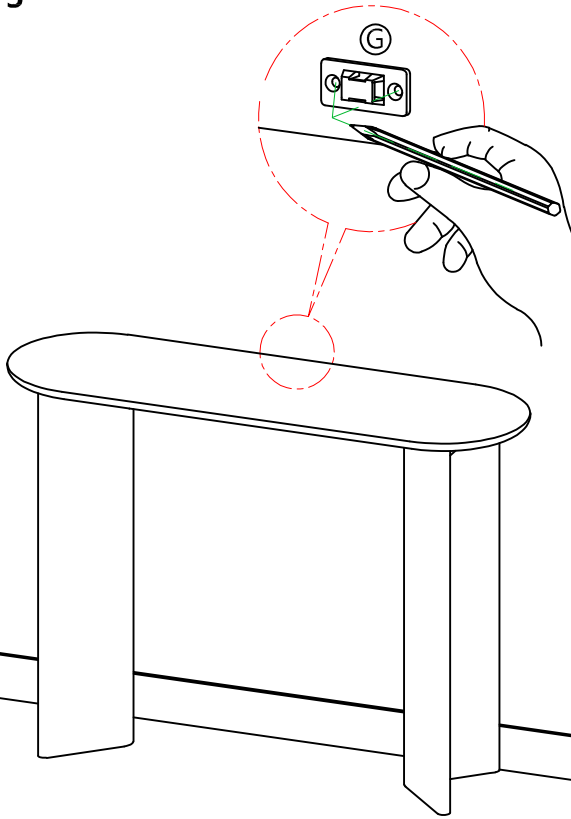


ASSEMBLY INSTRUCTIONS

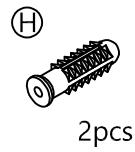
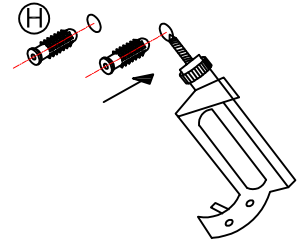
PARKER CONSOLE TABLE

adairs

STEP 3

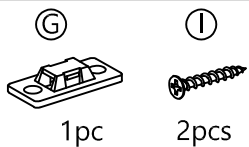
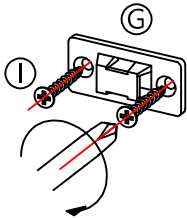


STEP 4



2pcs

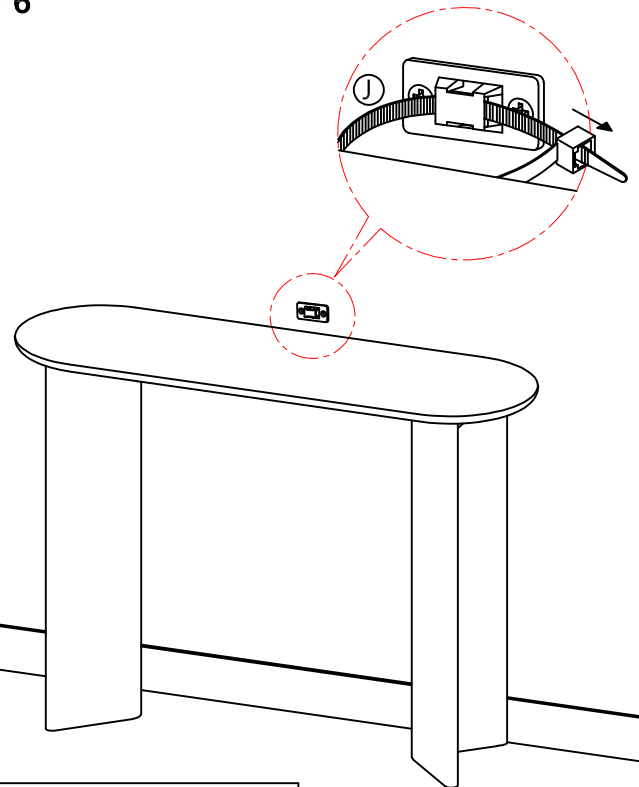
STEP 5



1pc

2pcs

STEP 6



1pc



CAUTION:

For your safety when attaching the anchor fixings, please note the following:

- Check for any electrical wires or plumbing inside the wall before drilling any holes (if you are unsure please seek professional advice from a qualified tradesperson)
- Walls are constructed from different materials, for example, masonry (solid brick) or plasterboard lined cavity walls (hollow). It is important that you use the appropriate wall fixings for your wall type.
- Your local hardware store will have the necessary drills and fixings and can offer advice if needed. If in doubt, engage the services of a qualified tradesperson to install and anchor the product.