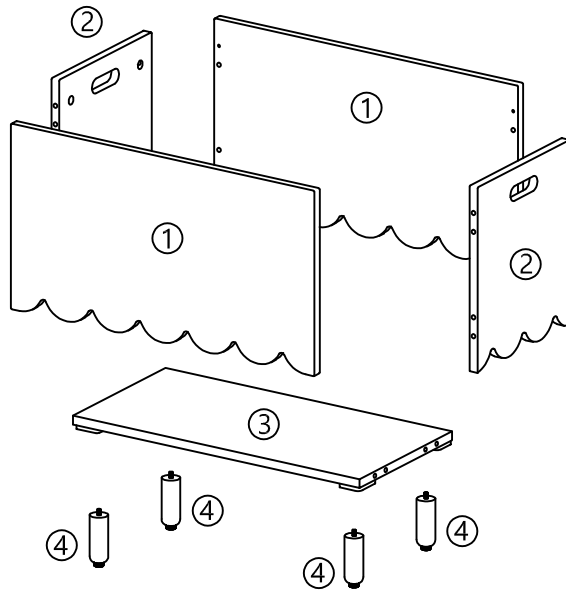


ASSEMBLY INSTRUCTIONS

56948 - SADIE SCALLOP TOY BOX

Please read instructions carefully. Remove all wrapping material, staples and packing straps from the carton. See hardware and furniture parts list for guidance. Be sure you have all parts before you start assembling. Place all wooden furniture parts on a clean, flat, soft surface; such as a carpet or rug to prevent the item from being scratched from being scratched.

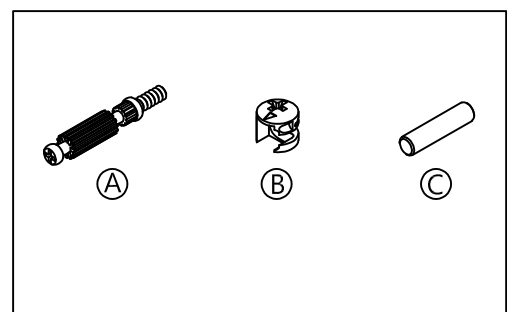
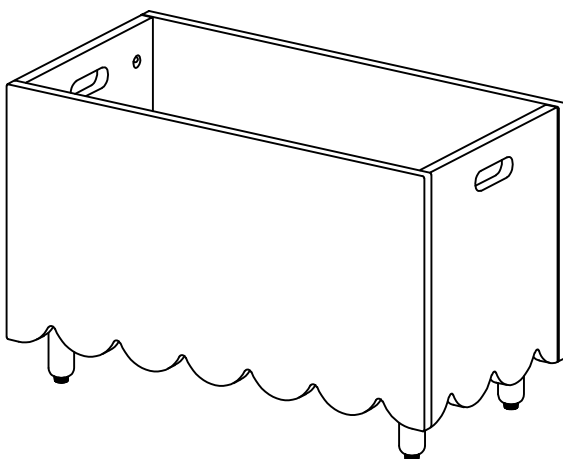


PARTS INCLUDED

- | | |
|-----------------------|--------|
| 1. Front / Back panel | : 2pcs |
| 2. Side panel | : 2pcs |
| 3. Bottom panel | : 1pc |
| 4. Leg | : 4pcs |

HARDWARE LIST

- | | |
|-------------|---------|
| A. Cam bolt | : 12pcs |
| B. Cam lock | : 12pcs |
| C. Dowel | : 12pcs |

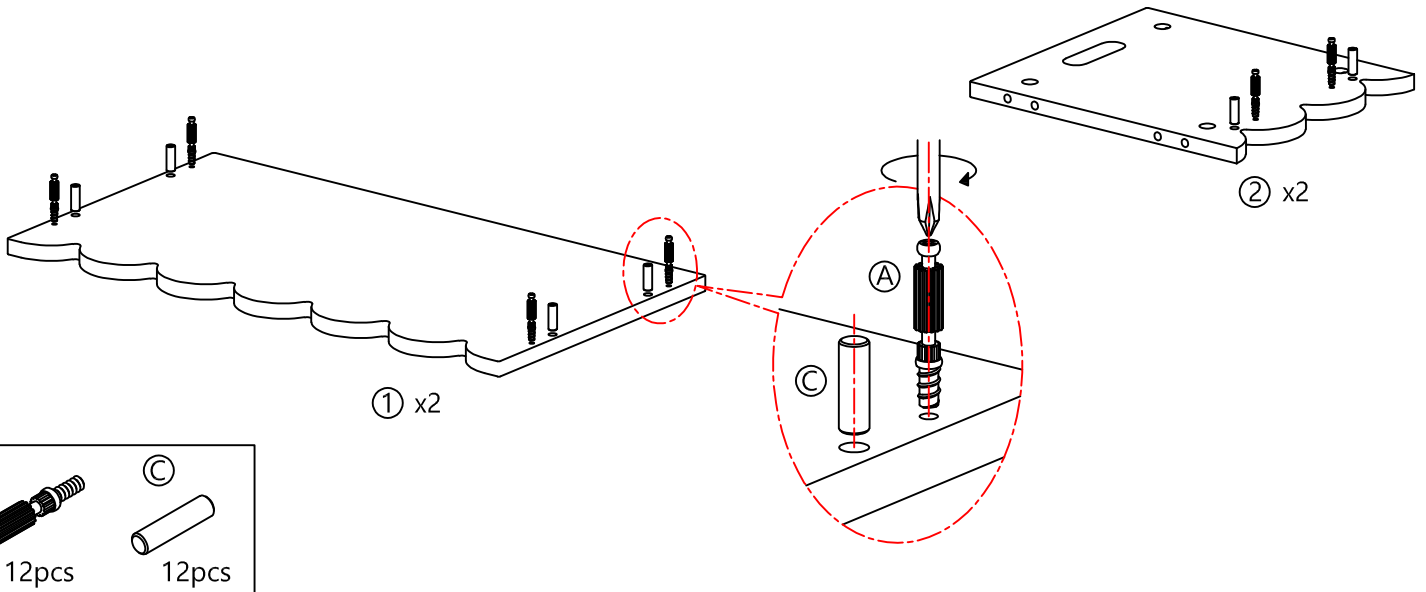


ASSEMBLY INSTRUCTIONS

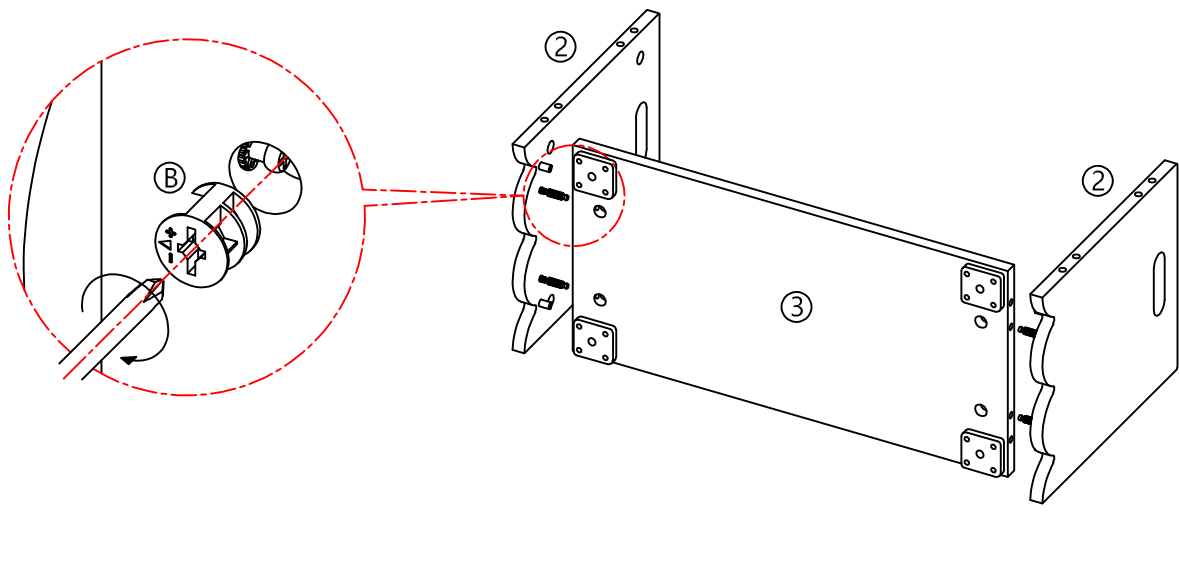
56948 - SADIE SCALLOP TOY BOX

adairs kids

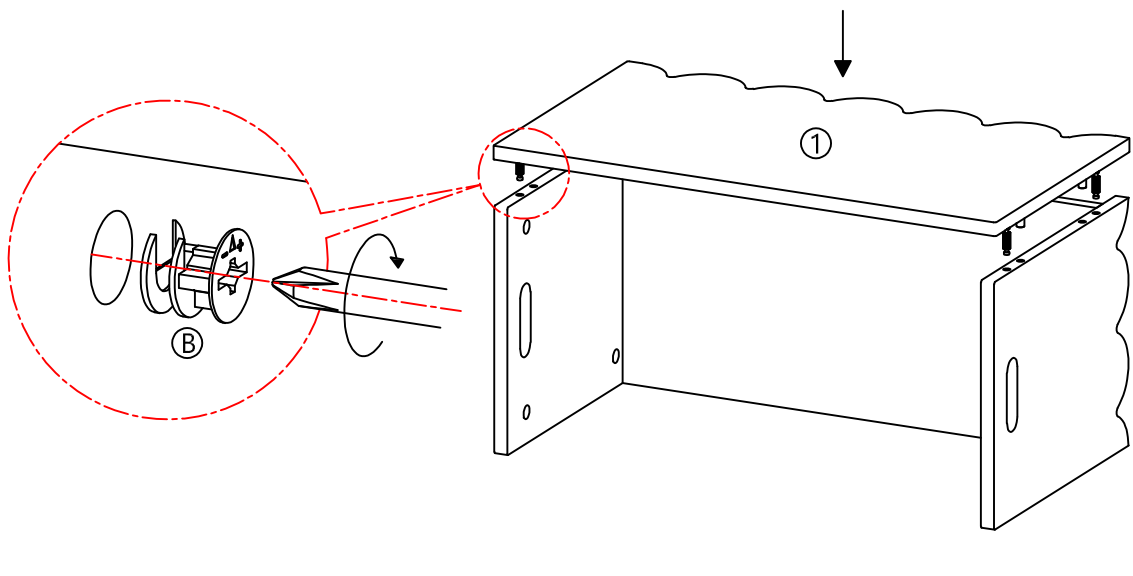
STEP 1



STEP 2



STEP 3

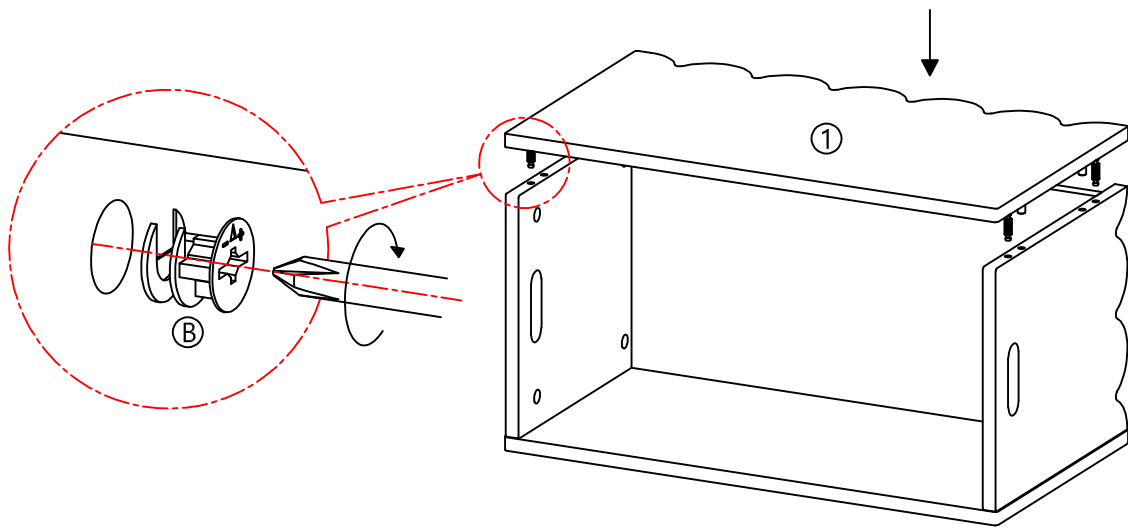


ASSEMBLY INSTRUCTIONS

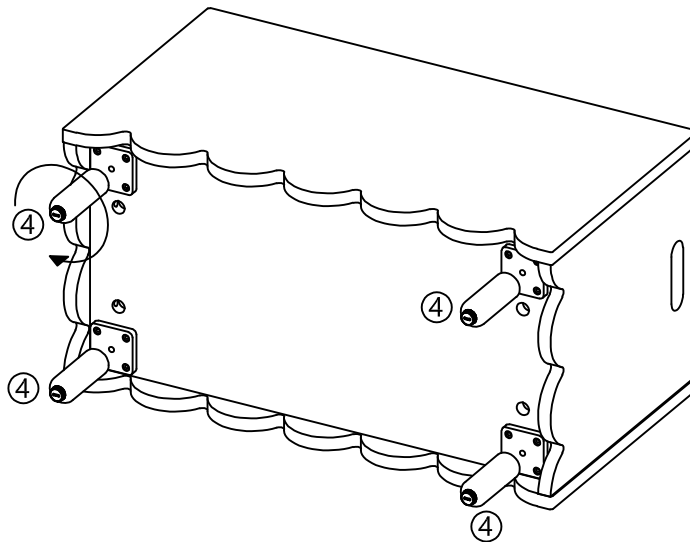
56948 - SADIE SCALLOP TOY BOX

adairs kids

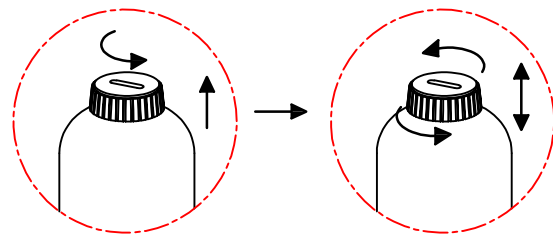
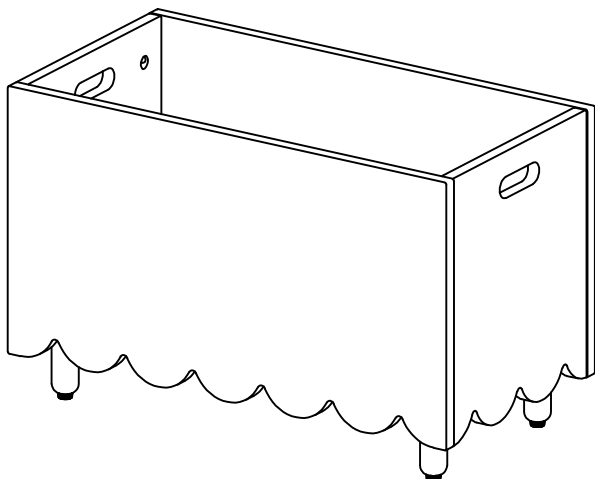
STEP 4



STEP 5



STEP 6



Please note stoppers on base of feet can be tightened or loosened for placement on uneven surfaces.