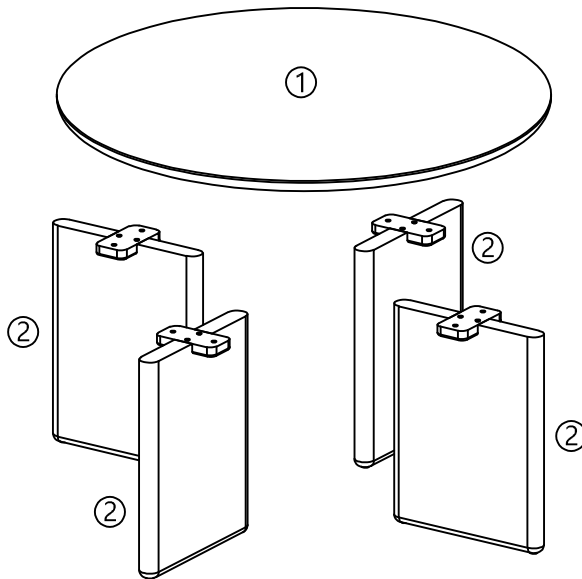


ASSEMBLY INSTRUCTIONS PARKER COFFEE TABLE

Please read instructions carefully. Remove all wrapping material, staples and packing straps from the carton. See hardware and furniture parts list for guidance. Be sure you have all parts before you start assembling. Place all wooden furniture parts on a clean flat soft surface, such as carpet or rug to prevent from being scratched.

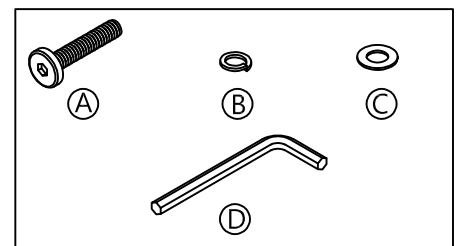
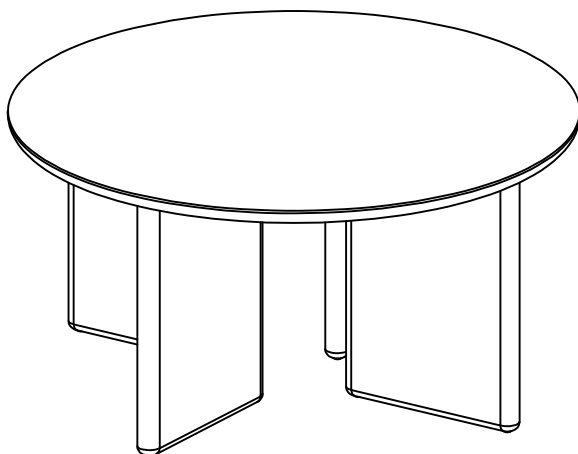
PARTS INCLUDED

- | | |
|--------|--------|
| 1. Top | : 1pc |
| 2. Leg | : 4pcs |



HARDWARE LIST

- | | |
|------------------|--------|
| A. Bolt | : 8pcs |
| B. Spring washer | : 8pcs |
| C. Flat washer | : 8pcs |
| D. Allen key | : 1pc |

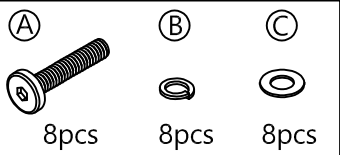
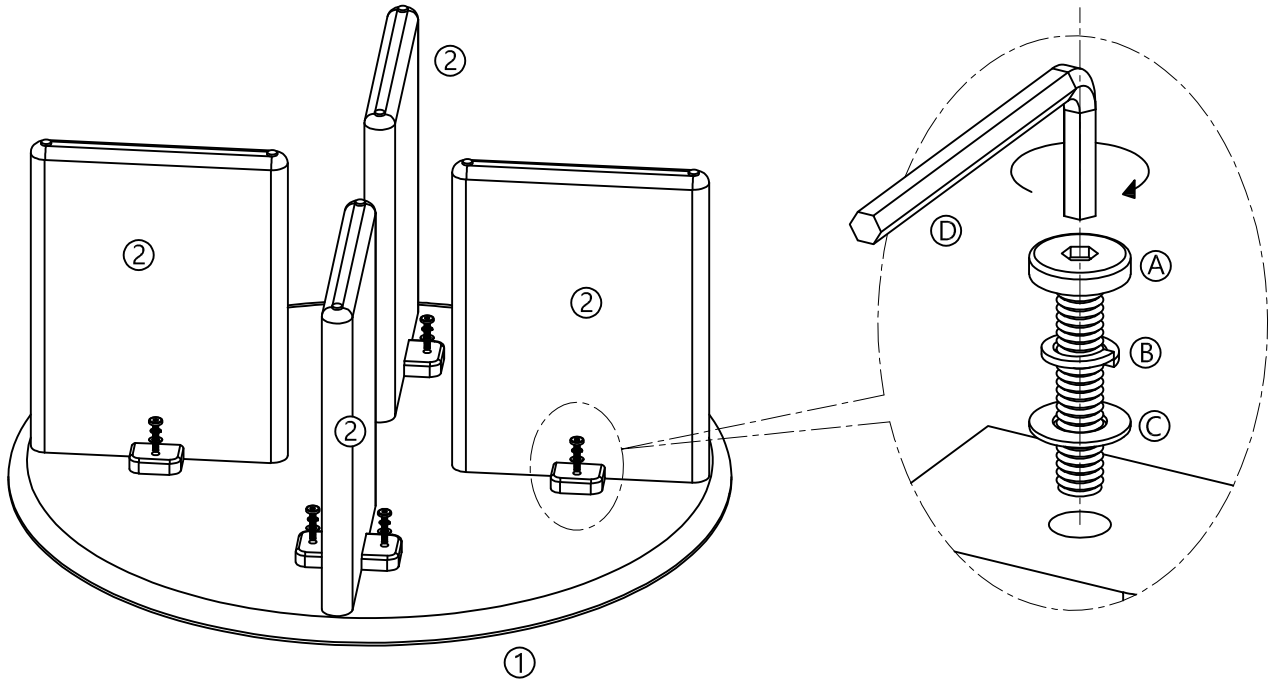


ASSEMBLY INSTRUCTIONS

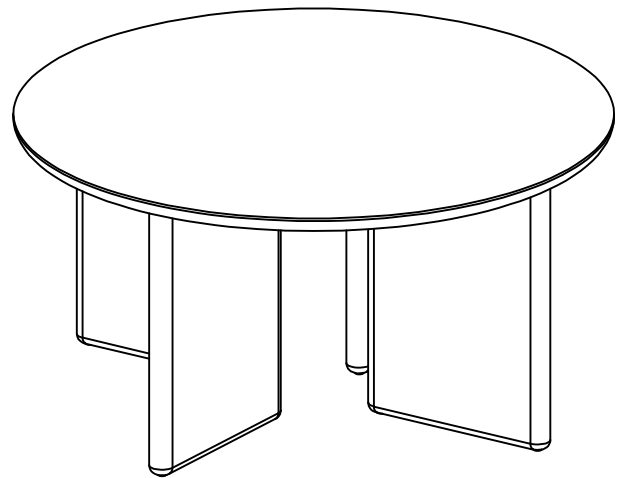
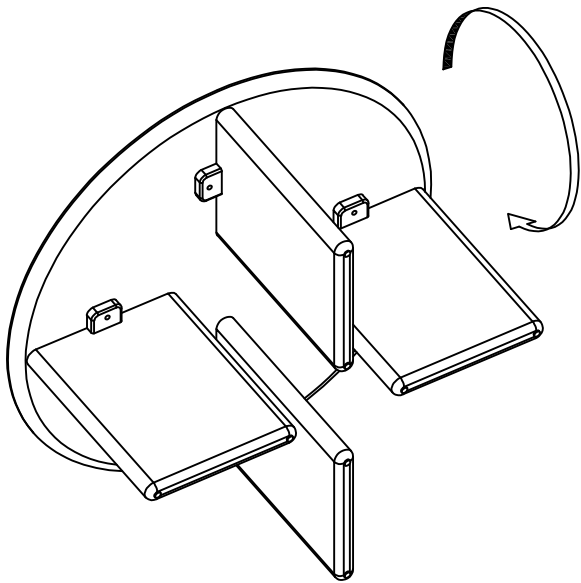
PARKER COFFEE TABLE

adairs

STEP 1



STEP 2



www.adairs.com.au
www.adairs.co.nz