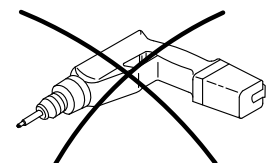
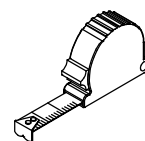
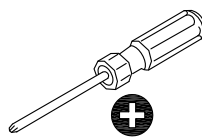
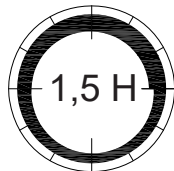
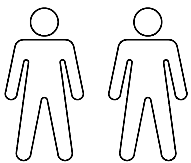
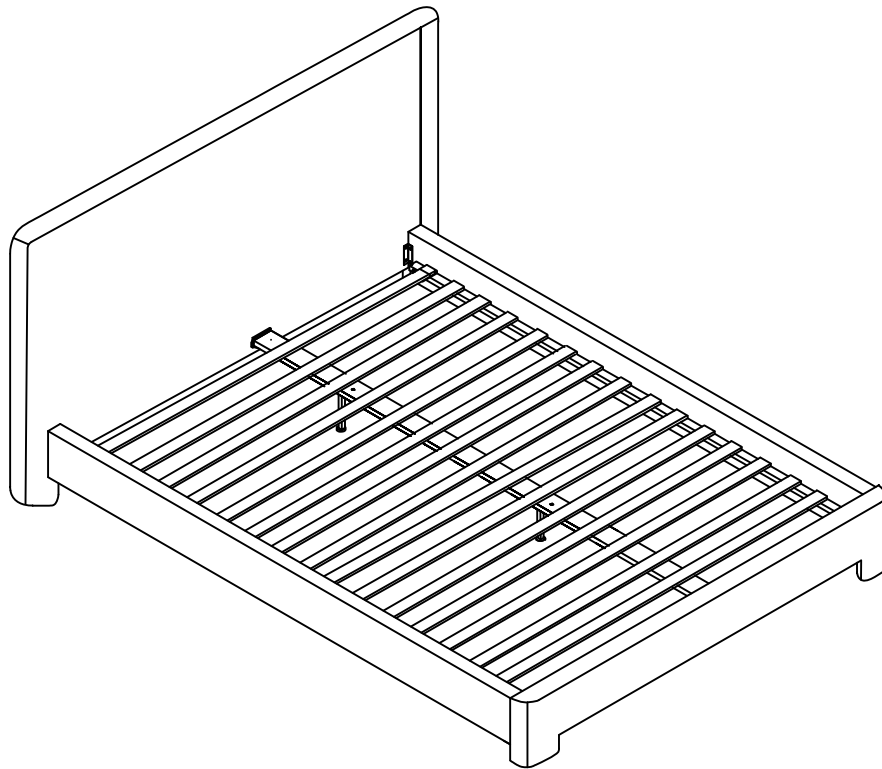


# ASSEMBLY INSTRUCTIONS

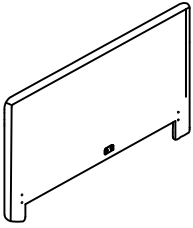
## SYDNEY BEDROOM FURNITURE QUEEN FULL BED

Please read instructions carefully. Remove all wrapping material and packing from the carton. See hardware and furniture parts list for guidance. Be sure you have all parts before you start to assemble the product. Place all furniture parts on a clean surface, such as carpet or rug to prevent the item from being scratched.



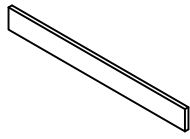
Part list:

1 x Part 1



Headboard

1 x Part 2



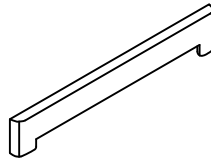
Side rail left

1 x Part 3



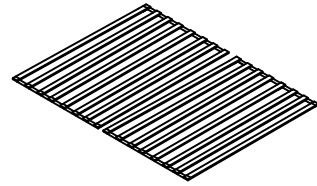
Side rail right

1 x Part 4



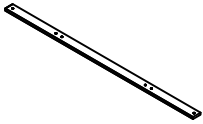
Footboard

2 x Part 5



Slats

1 x Part 6



Middle support

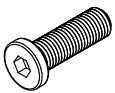
2 x Part 7



Support leg

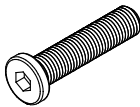
Hardware list:

Ax16



Bolt  
M8x25

Bx4



Bolt  
M8x35

Cx2



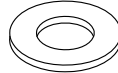
Bolt  
M6x15

Dx4



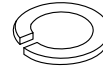
Nut  
M8/13

Ex16



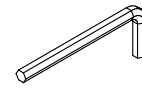
Washer  
Ø8/Ø19

Fx12



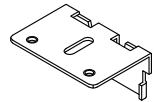
Spring washer  
Ø8/Ø13

Gx1



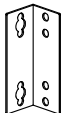
Allen key  
5mm

Hx2



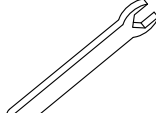
Bracket  
68x47x32

Jx4

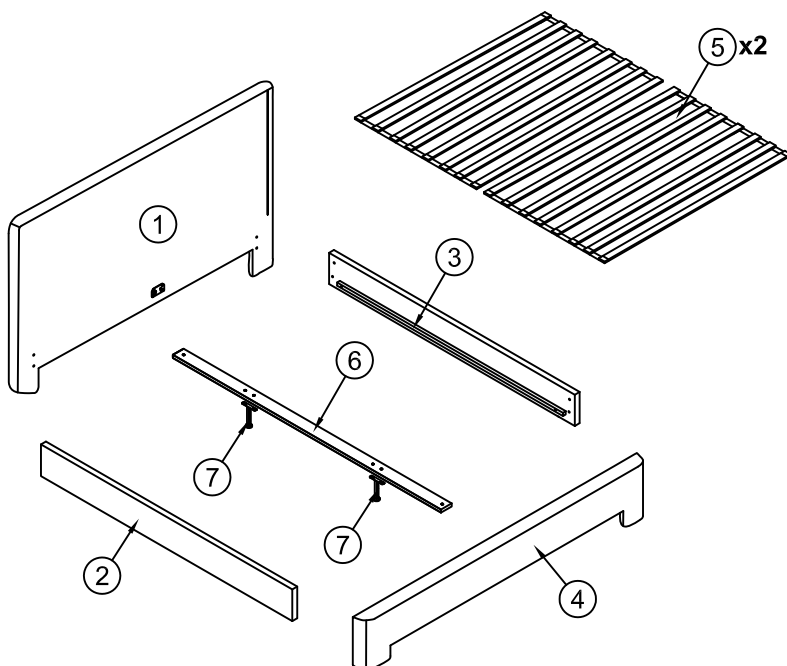


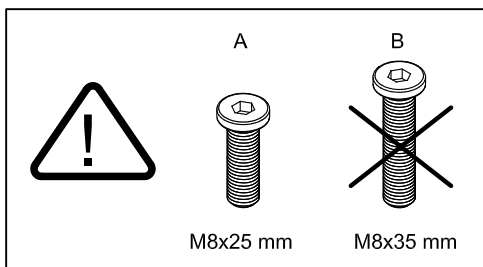
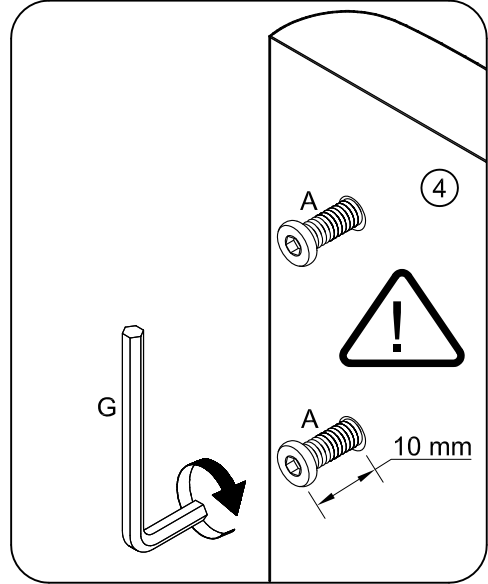
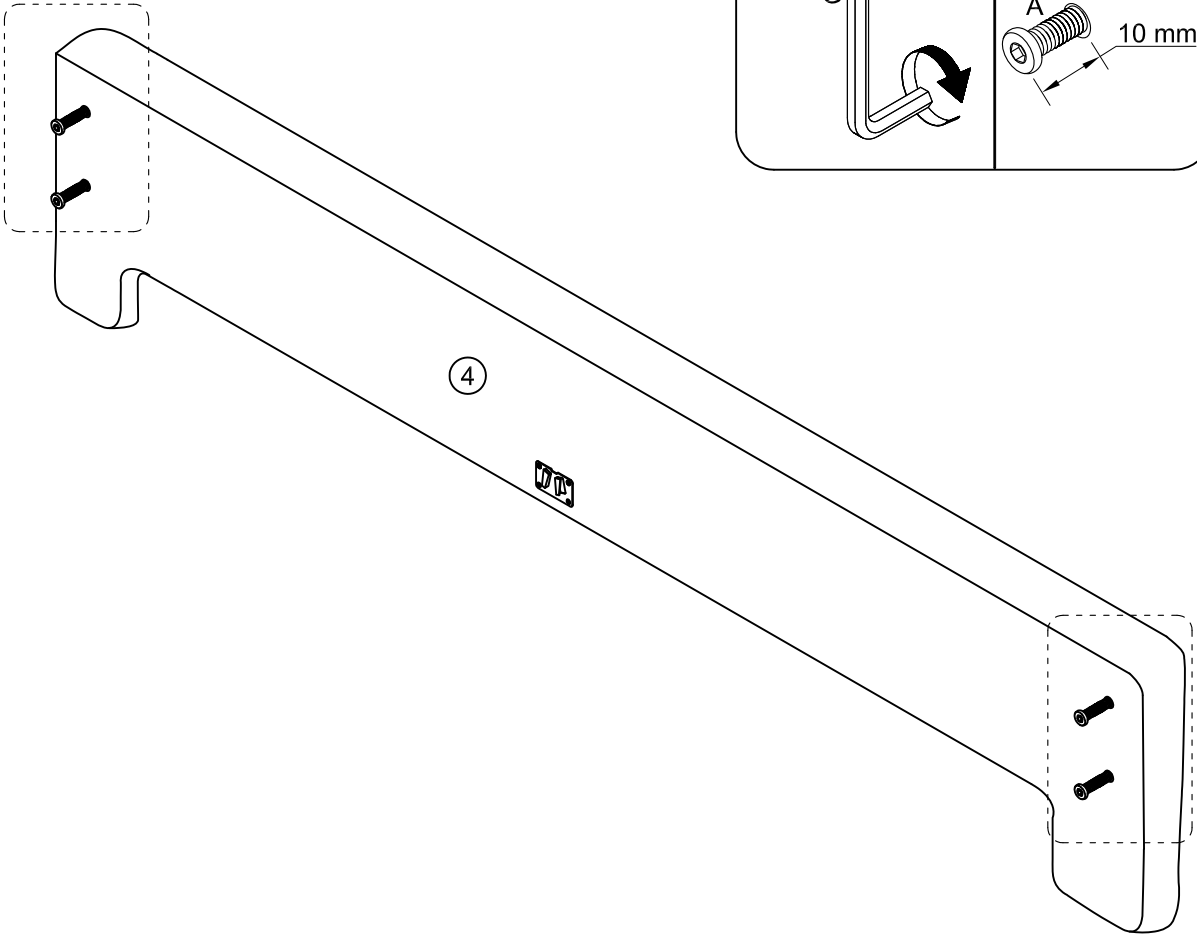
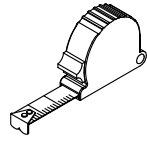
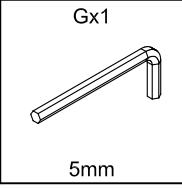
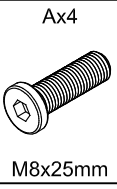
Bracket  
130x47x47

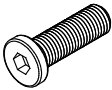
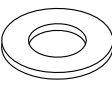
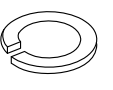

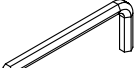
Kx1

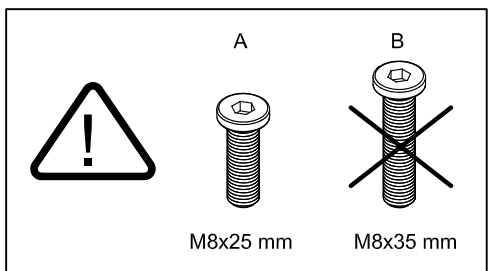
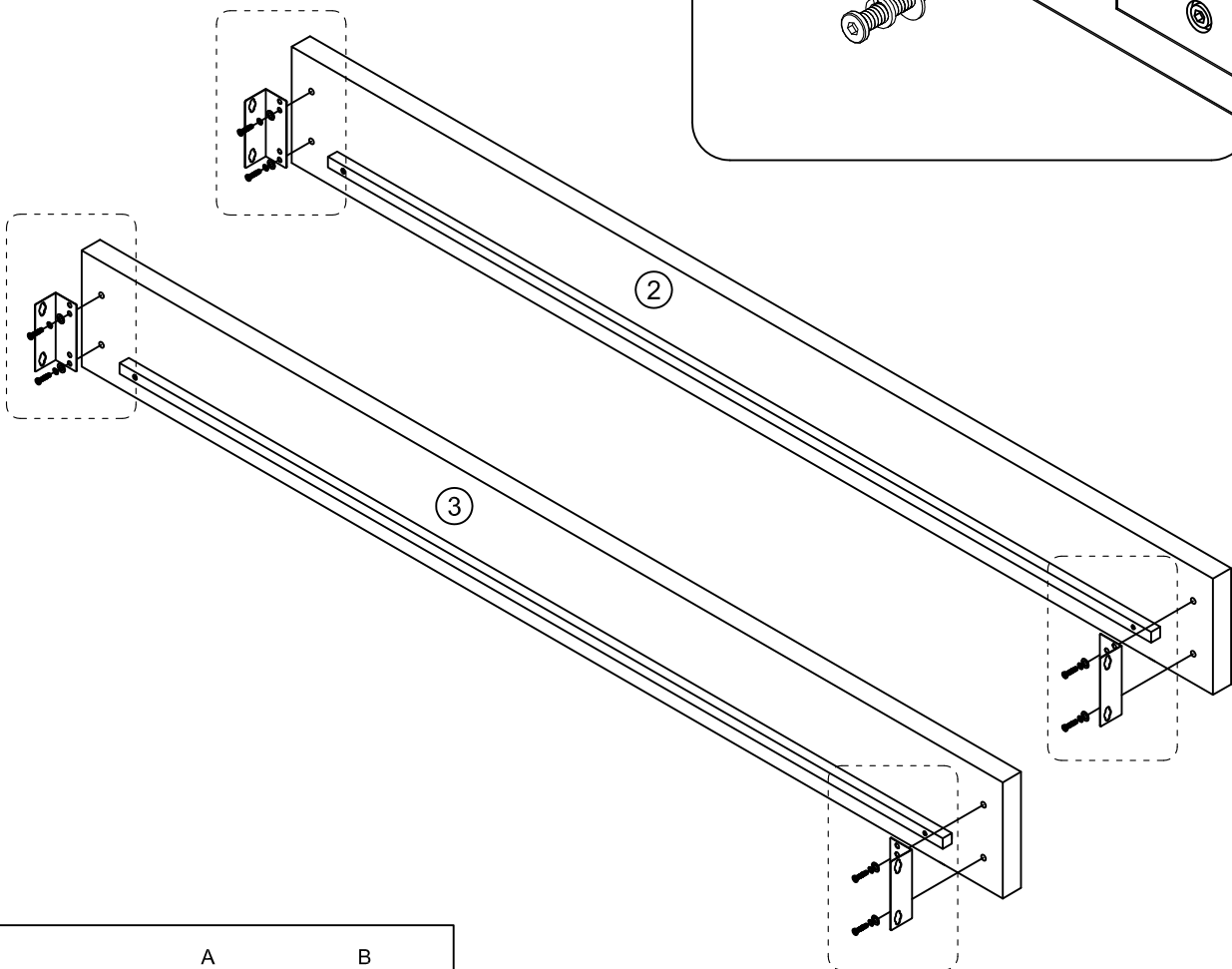
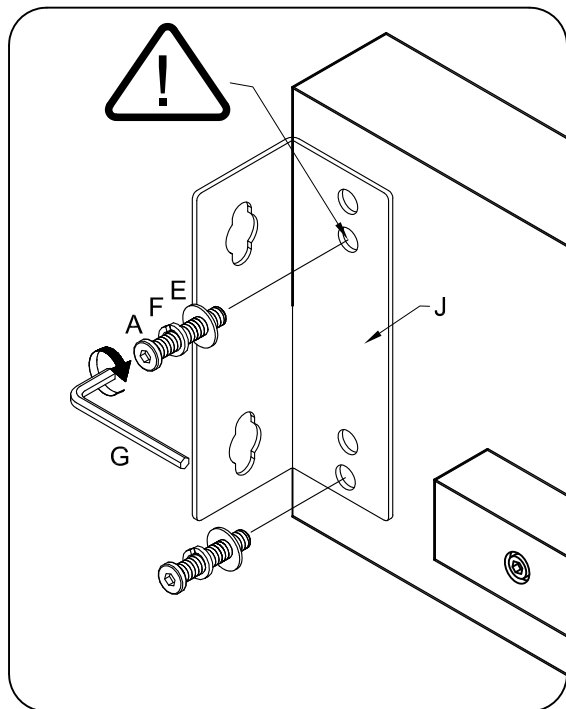


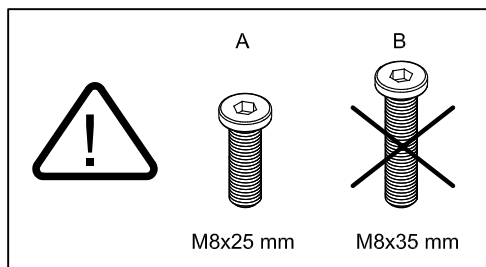
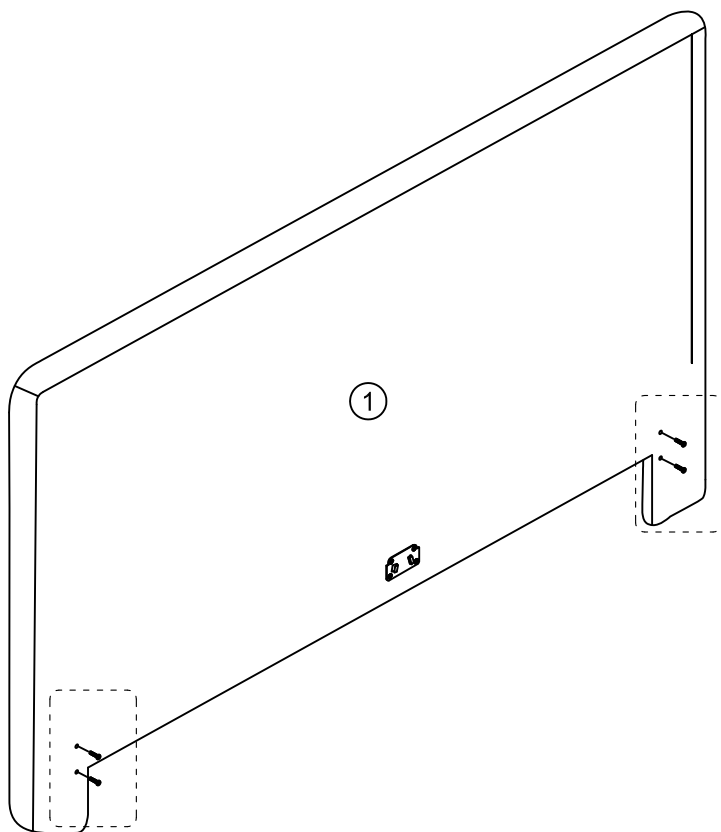
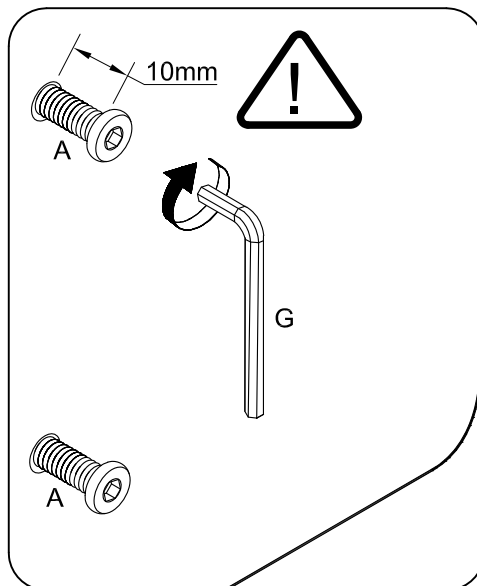
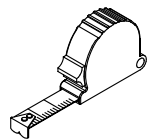
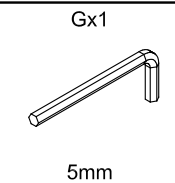
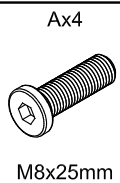
Spanner  
13mm



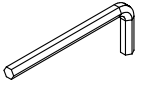


Ax8  M8x25mm	Ex8  Ø8/Ø19mm	Fx8  Ø8/Ø13mm	Jx4  130x47x47mm	Gx1  5mm
---	--	--	---	---



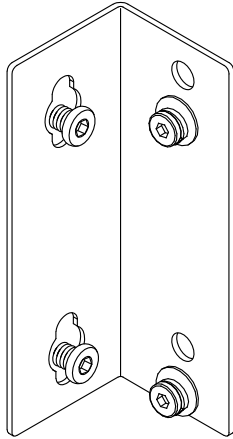


Gx1

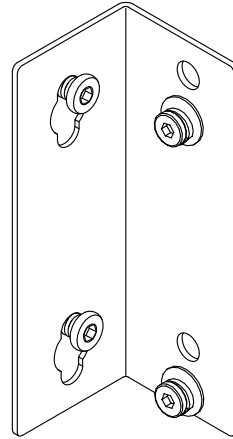


5mm

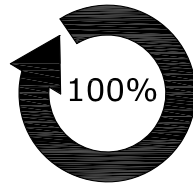
I



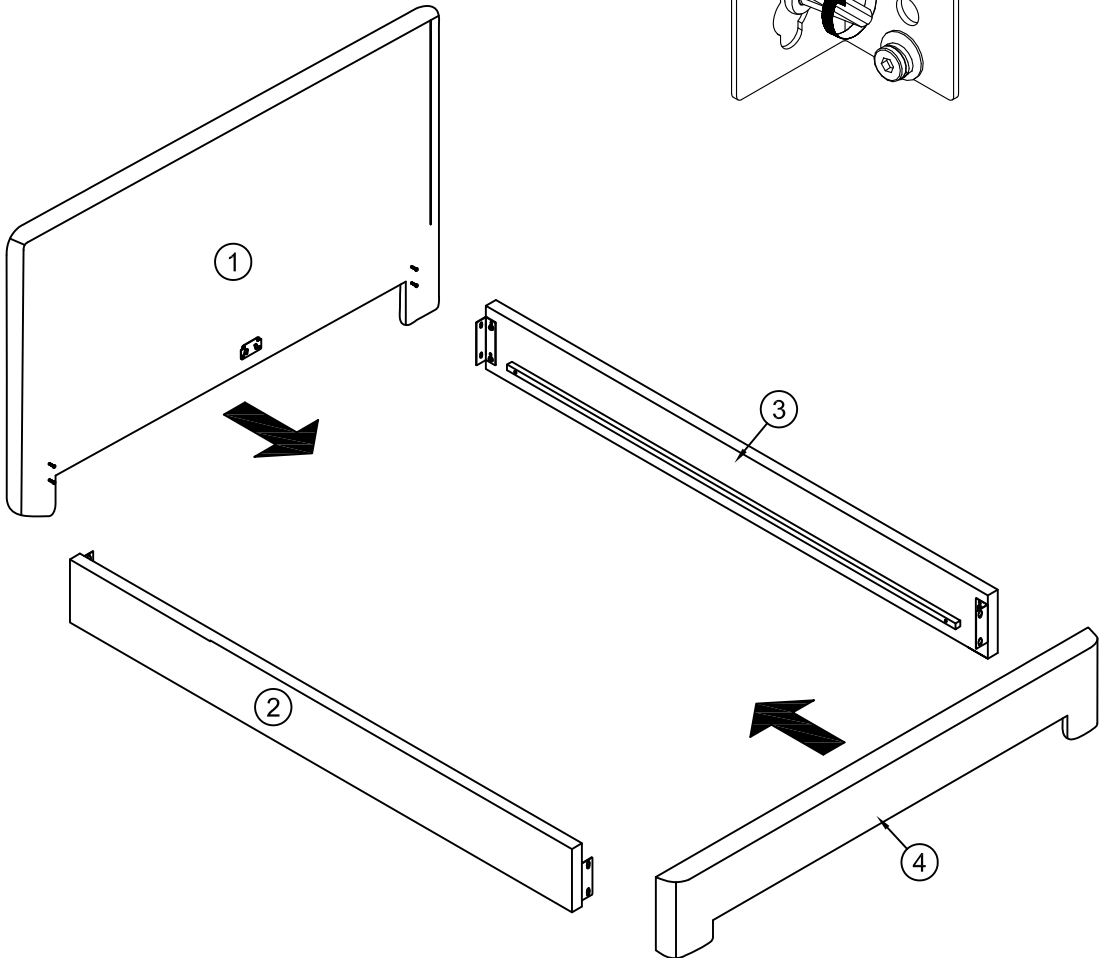
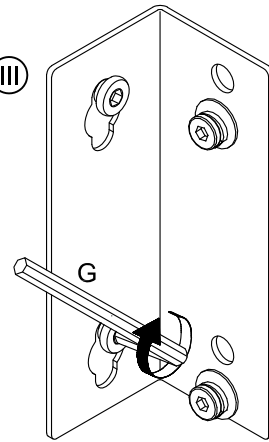
II



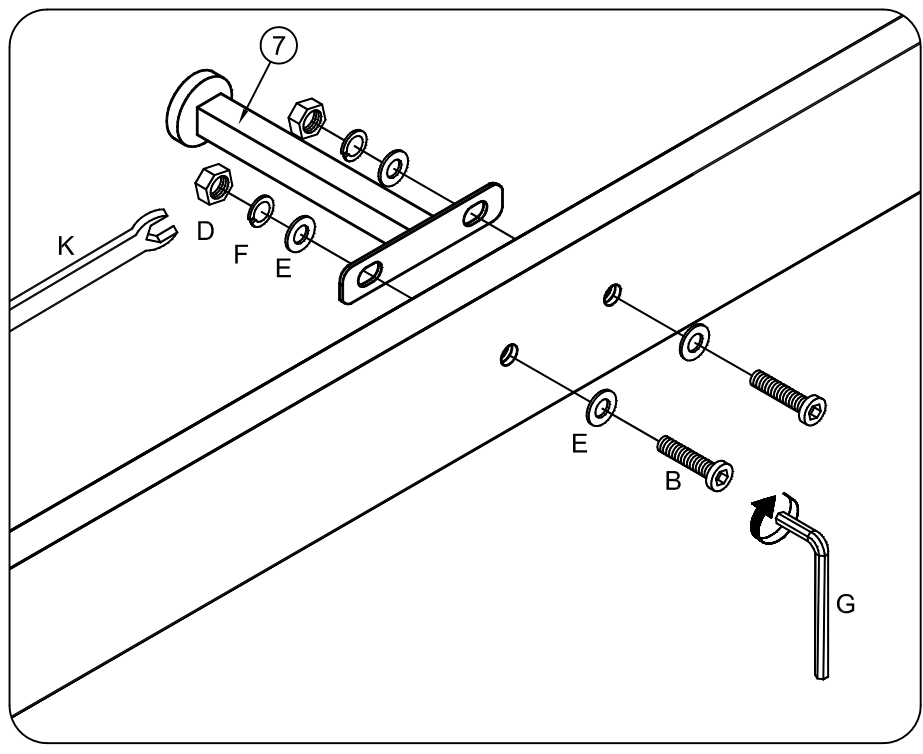
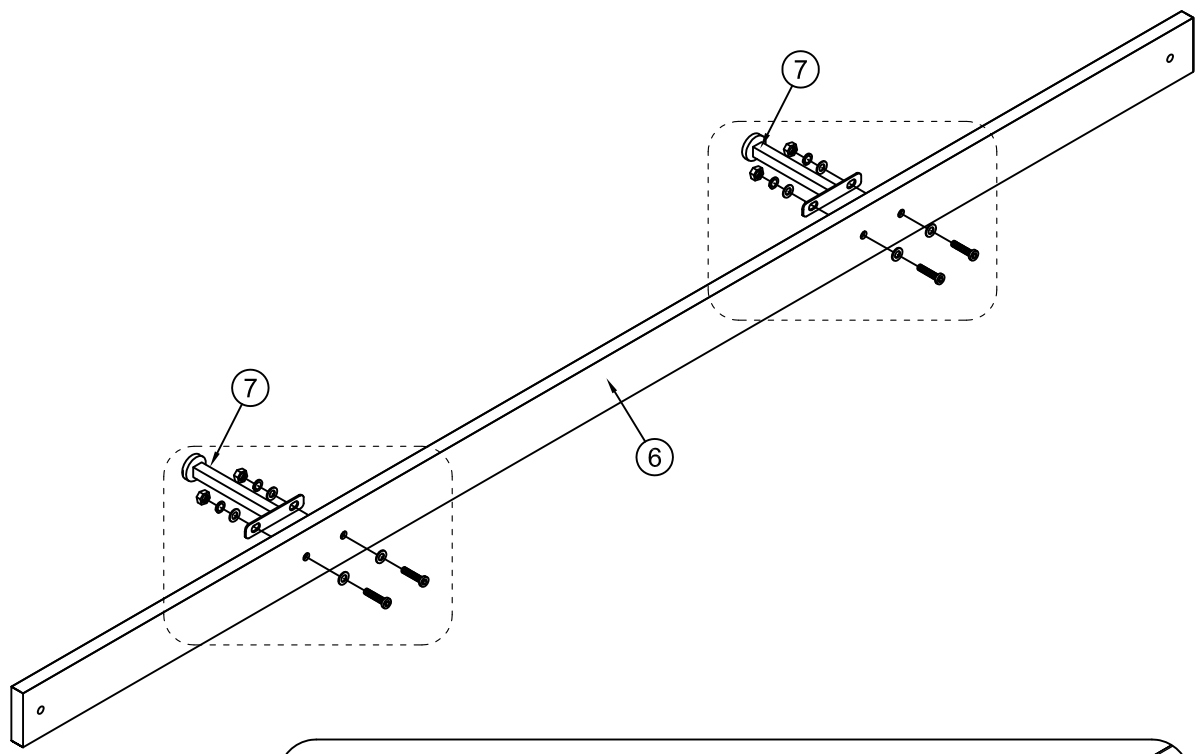
III



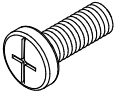
NOW TIGHTEN BOLTS TO 100%



Bx4 M8x35mm	Dx4 M8/13mm	Ex8 Ø8/Ø19mm	Fx4 Ø8/Ø13mm	Gx1 5mm	Kx1 13mm
----------------	----------------	-----------------	-----------------	------------	-------------

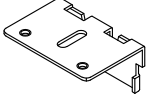


Cx2

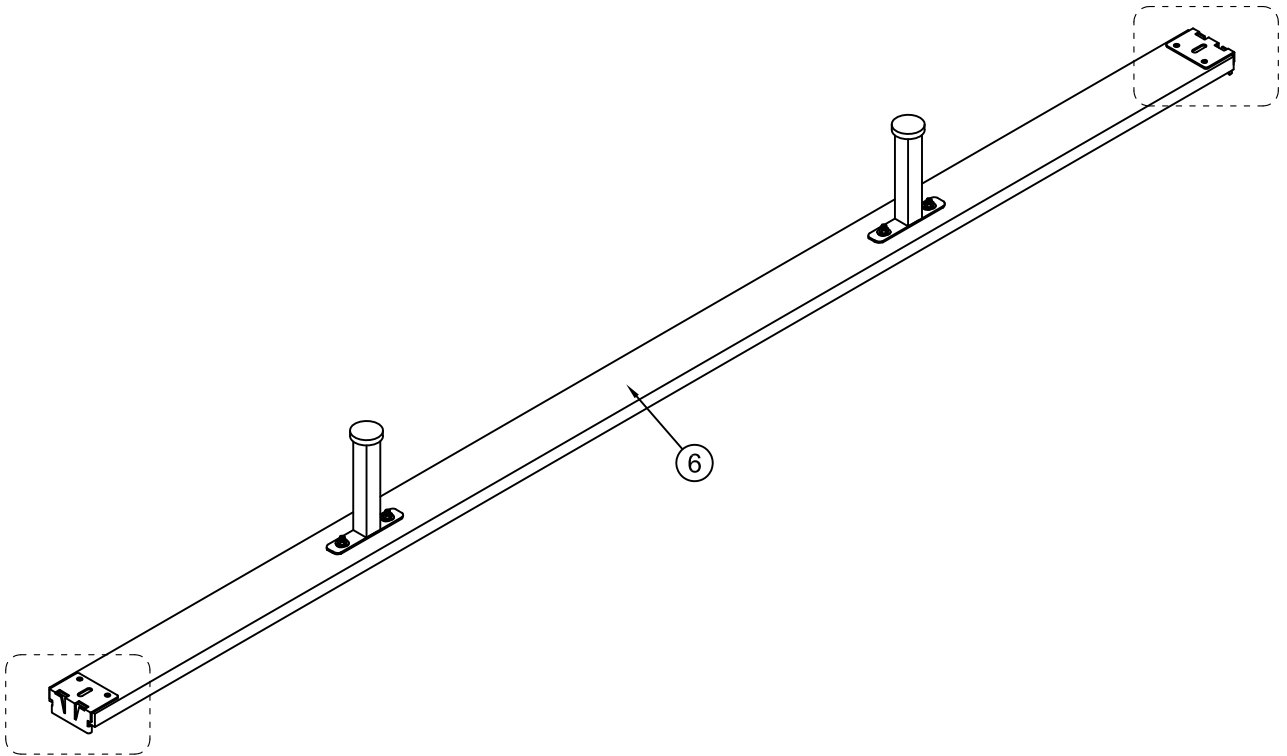
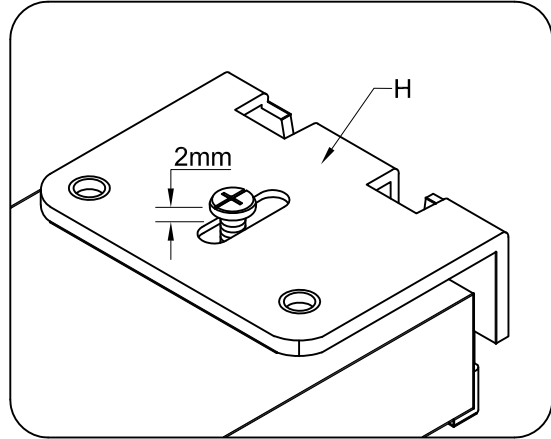


M6x15mm

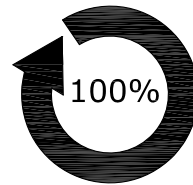
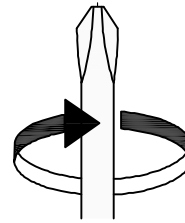
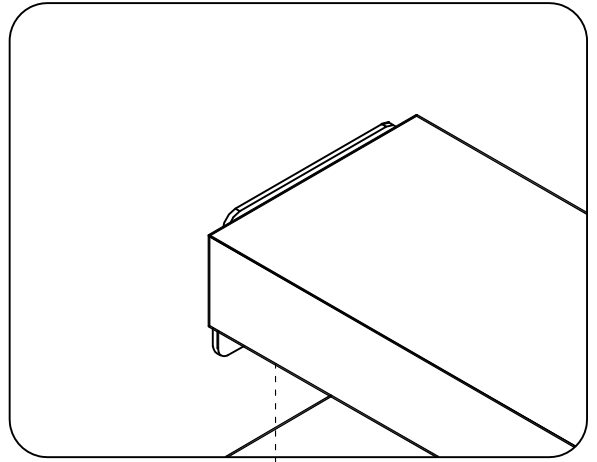
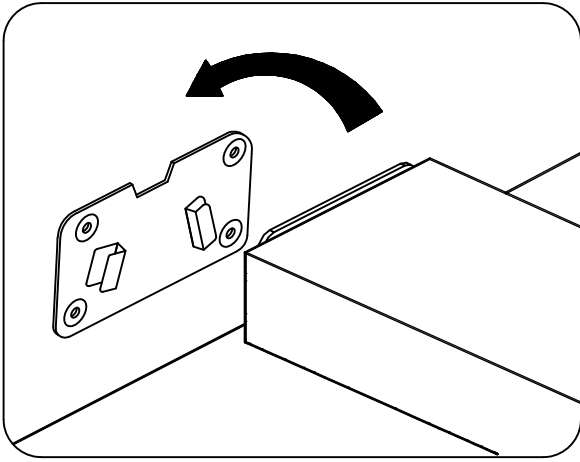
Hx2



68x47x32mm







**NOW TIGHTEN BOLTS TO 100%**

