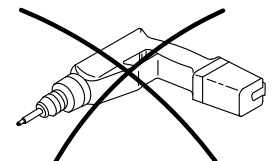
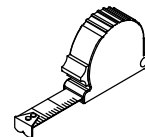
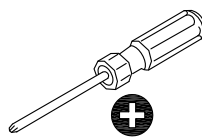
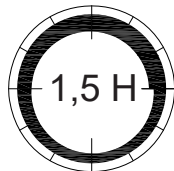
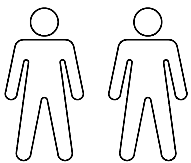
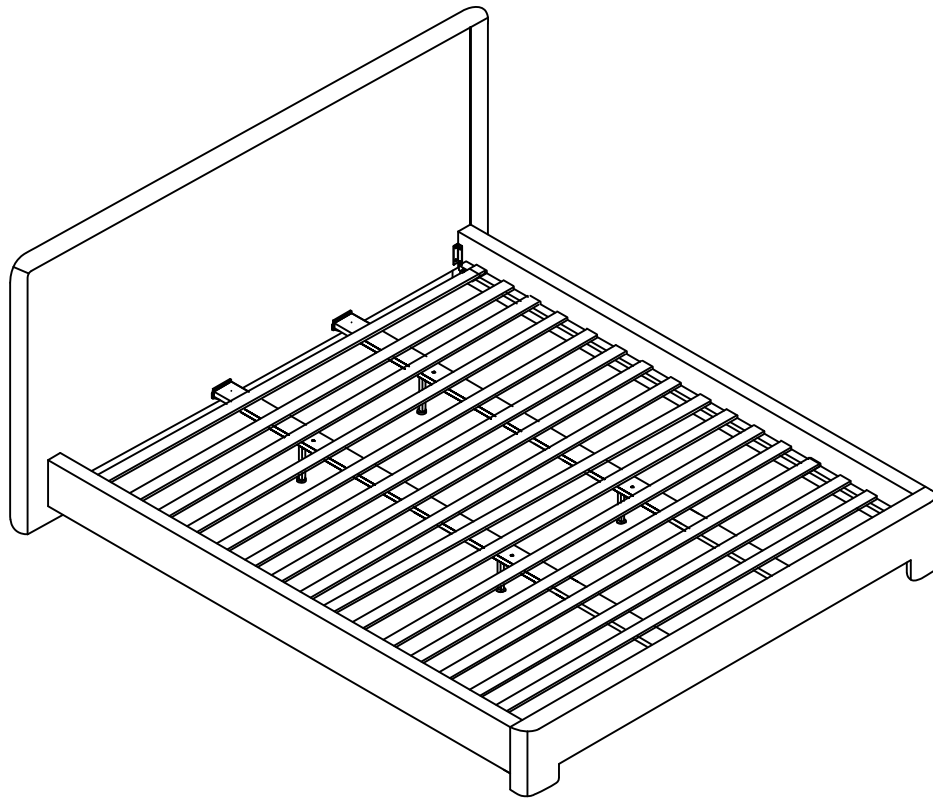


ASSEMBLY INSTRUCTIONS

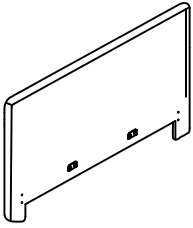
SYDNEY BEDROOM FURNITURE KING FULL BED

Please read instructions carefully. Remove all wrapping material and packing from the carton. See hardware and furniture parts list for guidance. Be sure you have all parts before you start to assemble the product. Place all furniture parts on a clean surface, such as carpet or rug to prevent the item from being scratched.



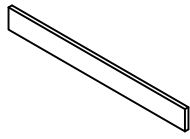
Part list:

1 x Part 1



Headboard

1 x Part 2



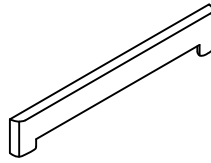
Side rail left

1 x Part 3



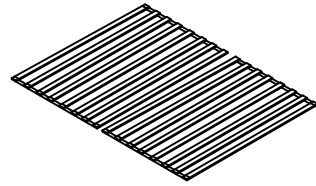
Side rail right

1 x Part 4



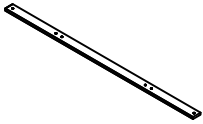
Footboard

2 x Part 5



Slats

2 x Part 6



Middle support

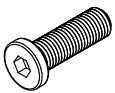
4 x Part 7



Support leg

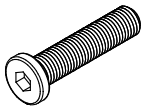
Hardware list:

Ax16



Bolt
M8x25

Bx8



Bolt
M8x35

Cx4



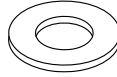
Bolt
M6x15

Dx8



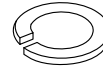
Nut
M8/13

Ex24



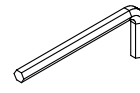
Washer
Ø8/Ø19

Fx16



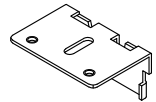
Spring washer
Ø8/Ø13

Gx1



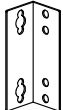
Allen key
5mm

Hx4



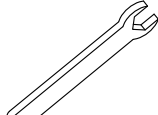
Bracket
68x47x32

Jx4

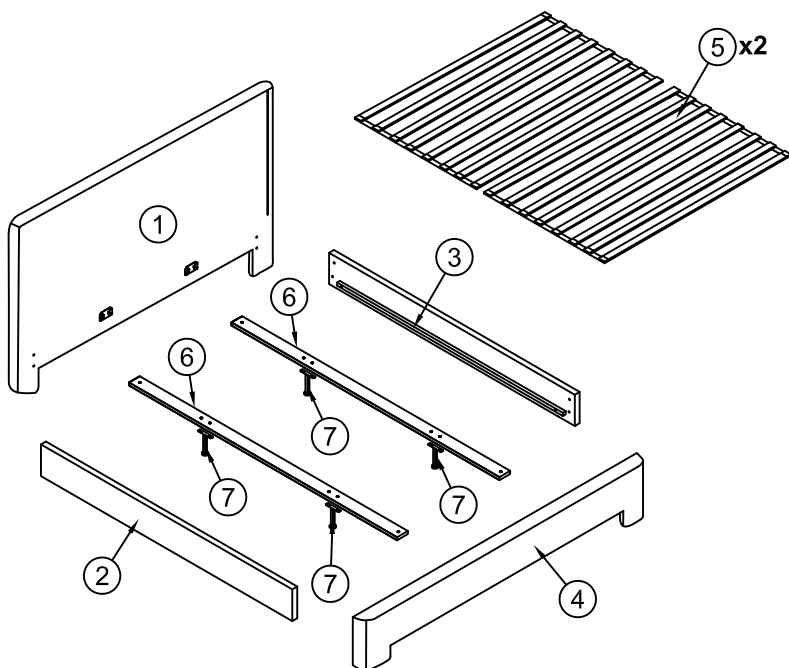


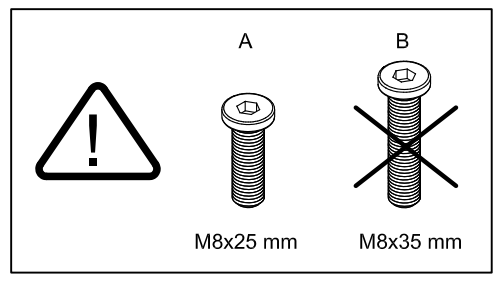
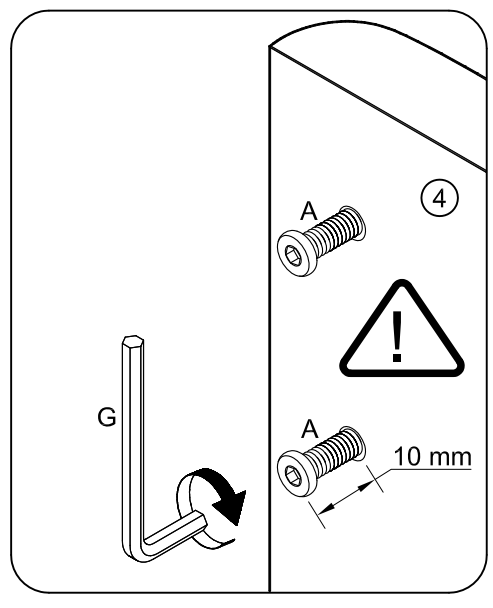
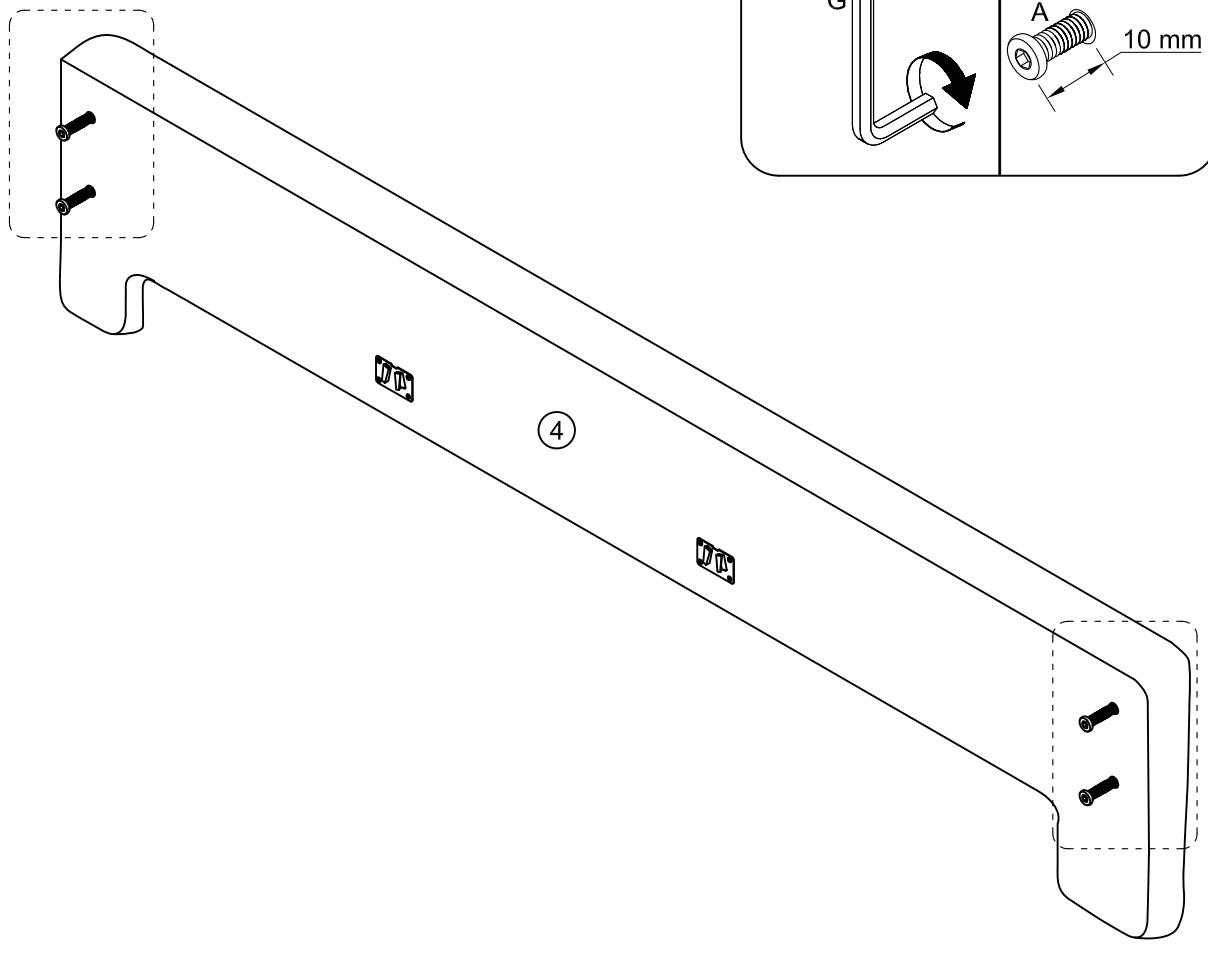
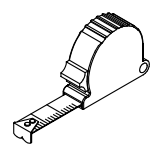
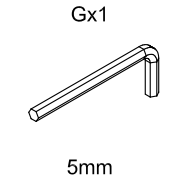
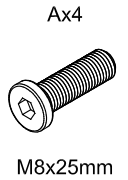
Bracket
130x47x47

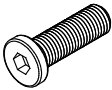
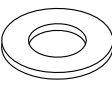
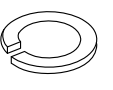

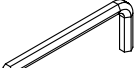
Kx1

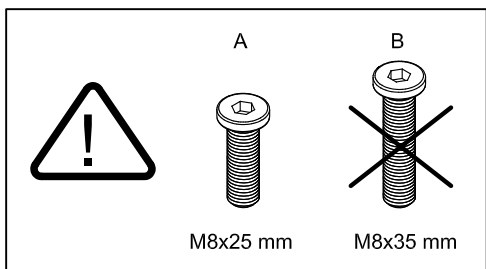
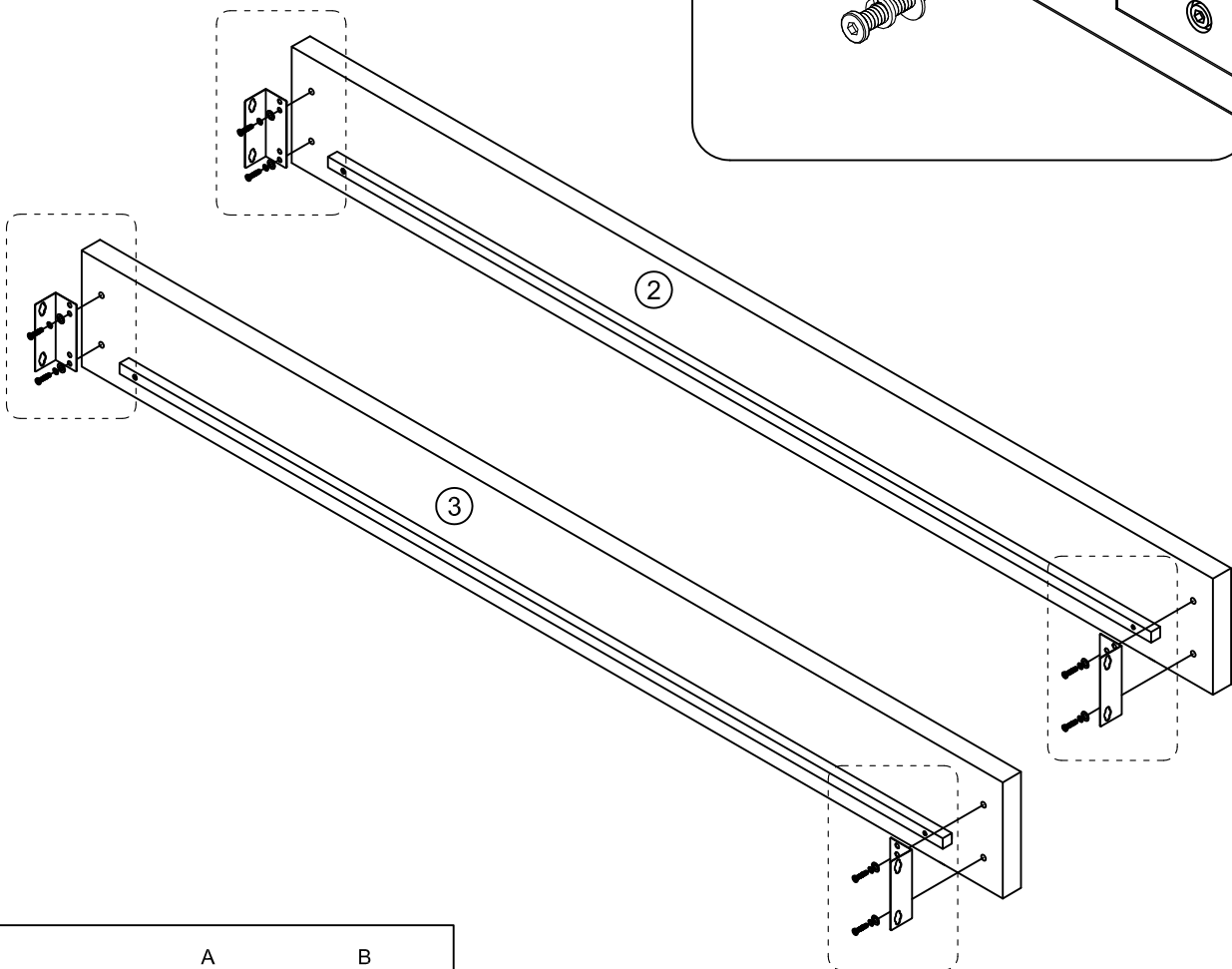
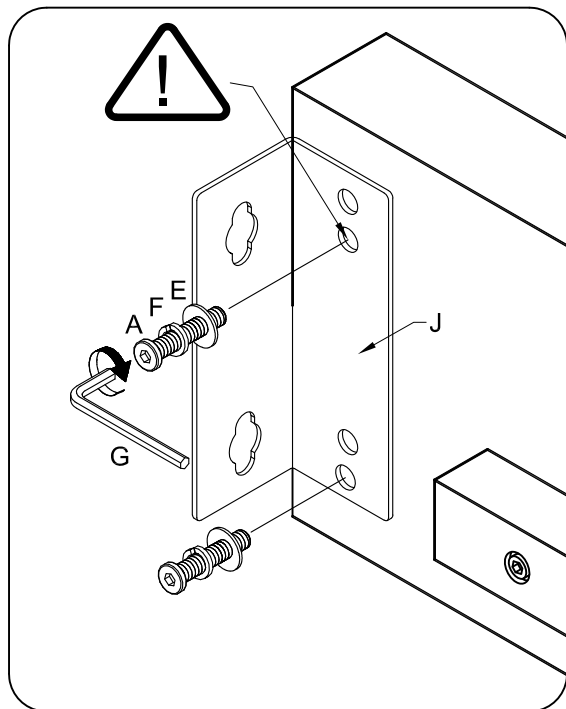


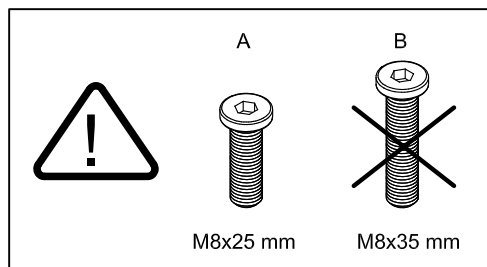
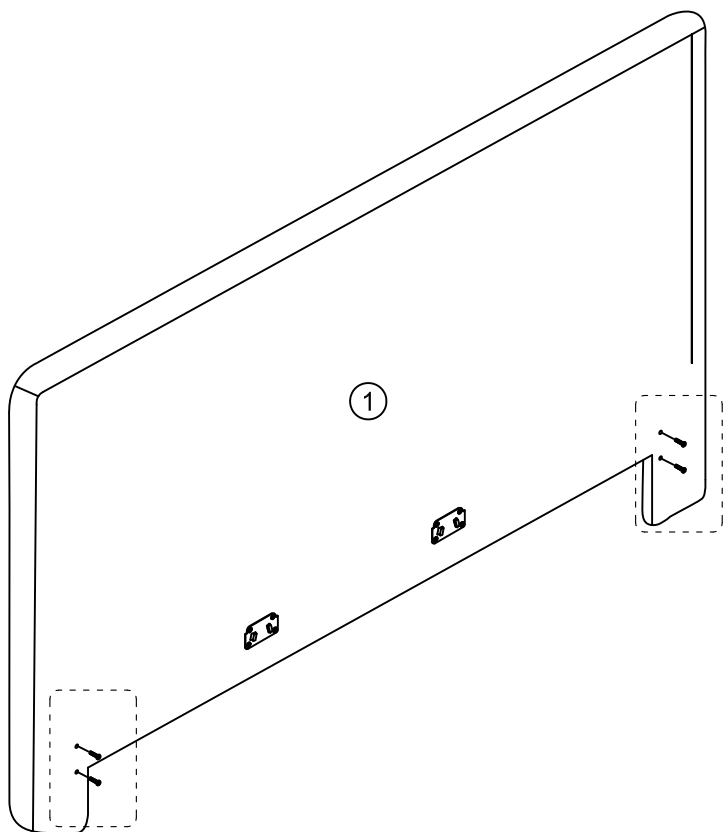
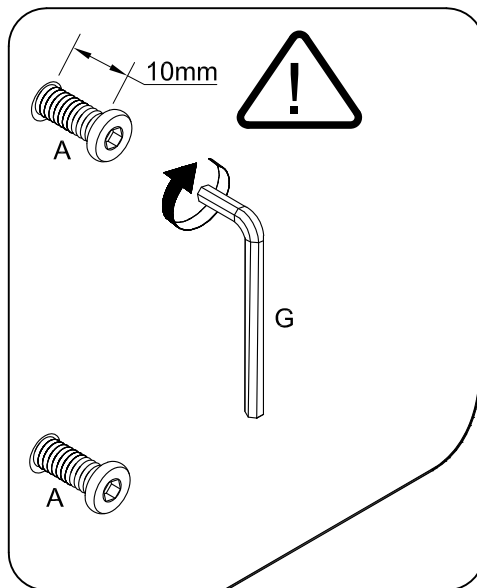
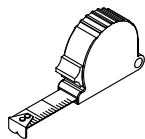
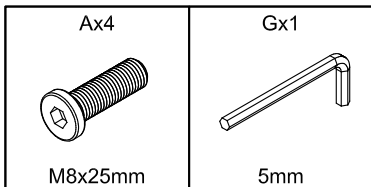
Spanner
13mm



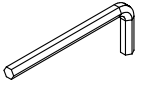


Ax8  M8x25mm	Ex8  Ø8/Ø19mm	Fx8  Ø8/Ø13mm	Jx4  130x47x47mm	Gx1  5mm
---	--	--	---	---



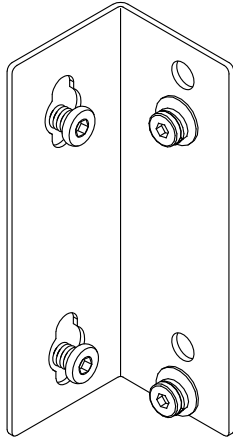


Gx1

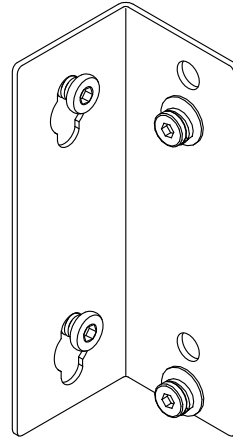


5mm

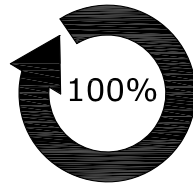
I



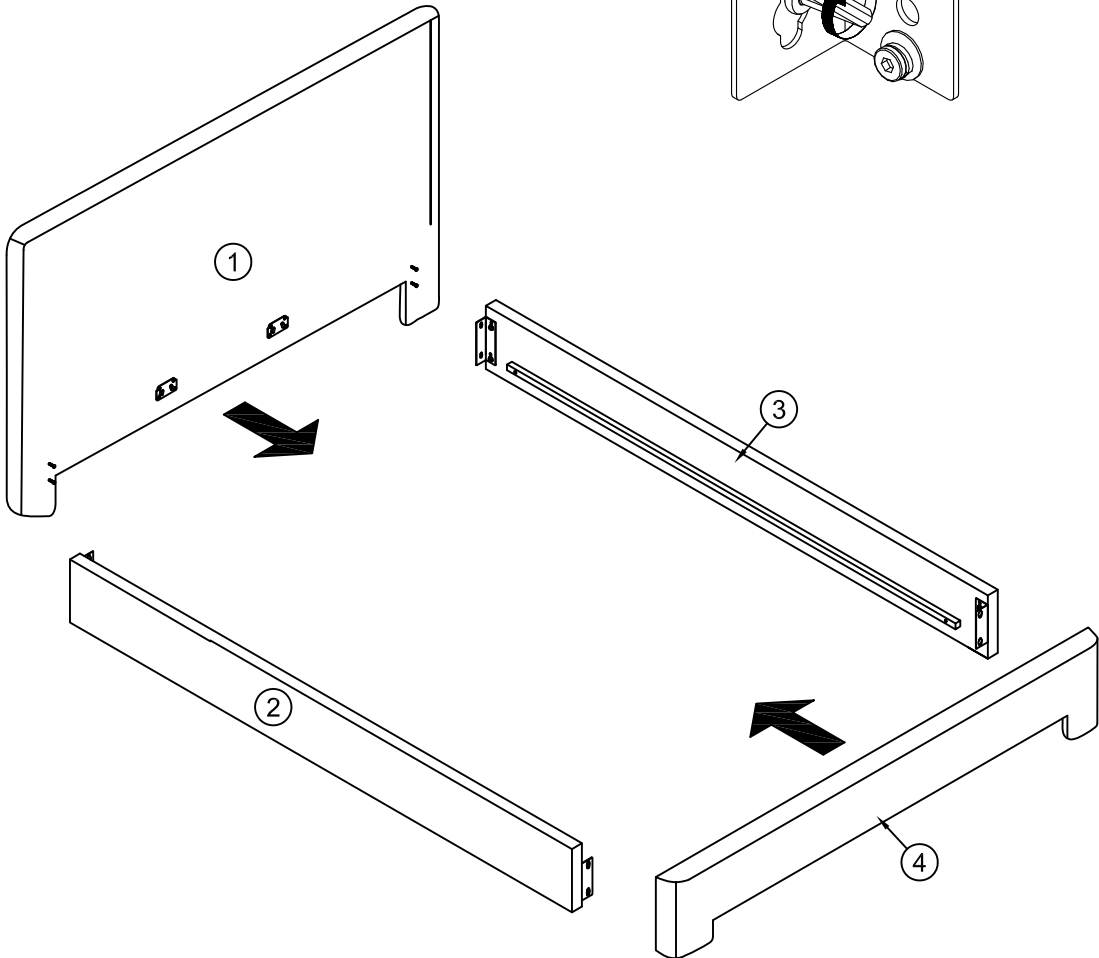
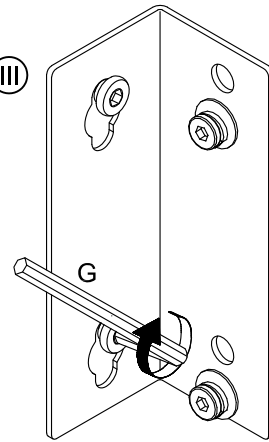
II



III

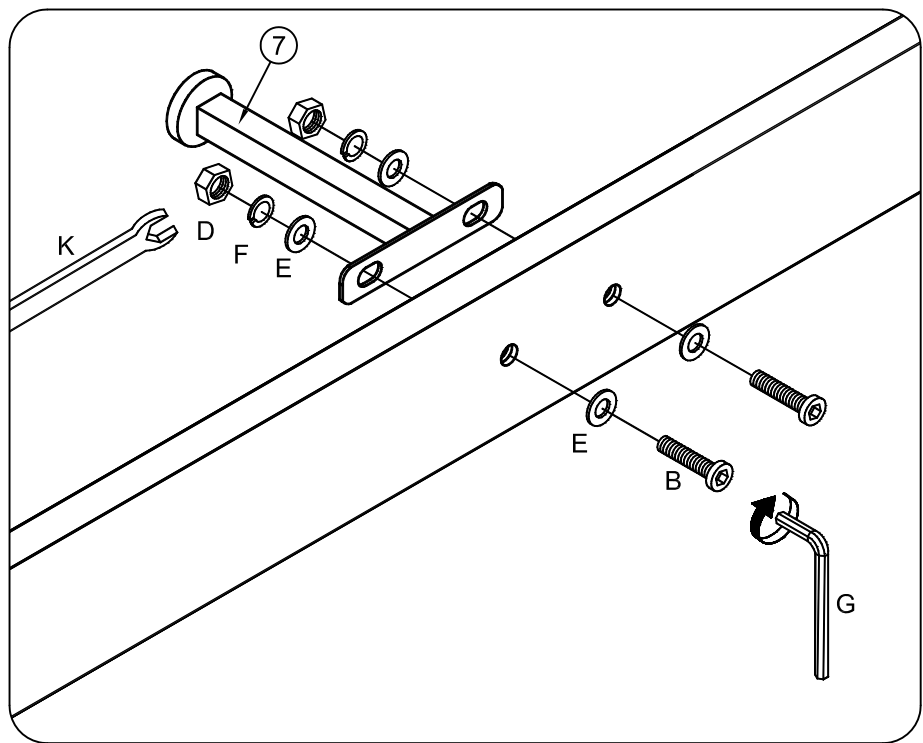
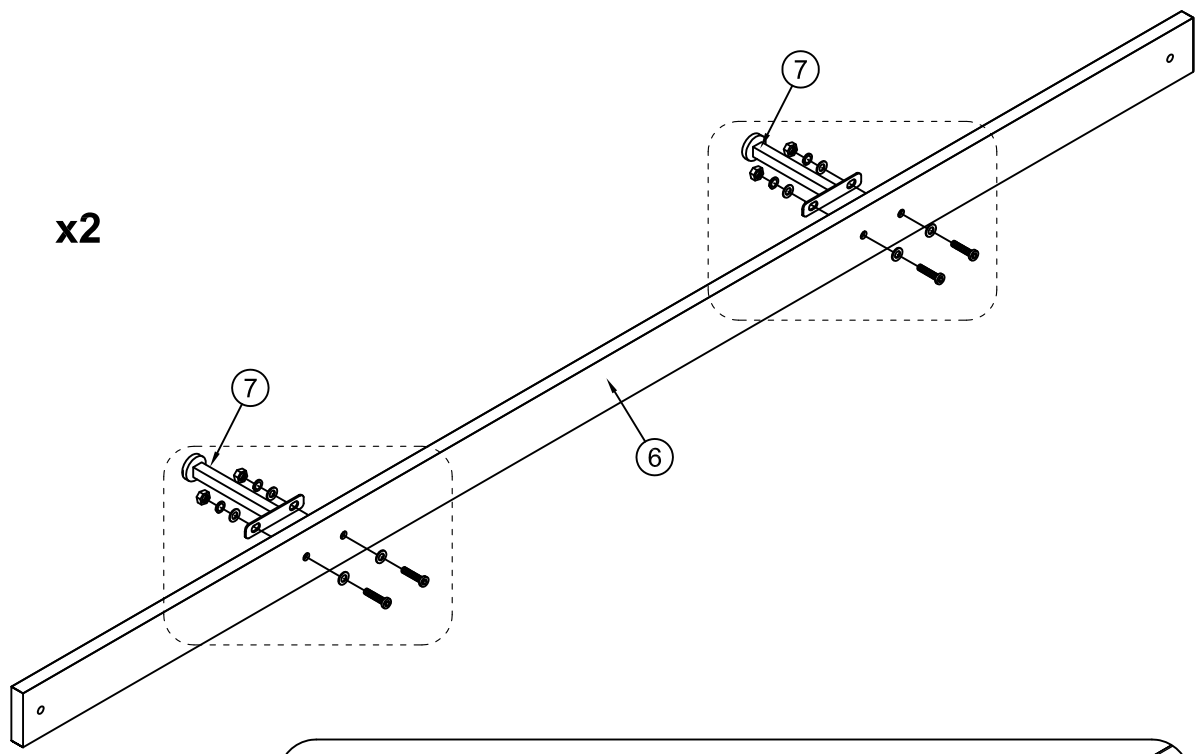


NOW TIGHTEN BOLTS TO 100%

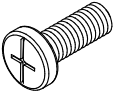


Bx8 M8x35mm	Dx8 M8/13mm	Ex16 Ø8/Ø19mm	Fx8 Ø8/Ø13mm	Gx1 5mm	Kx1 13mm
----------------	----------------	------------------	-----------------	------------	-------------

x2

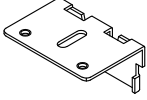


Cx4

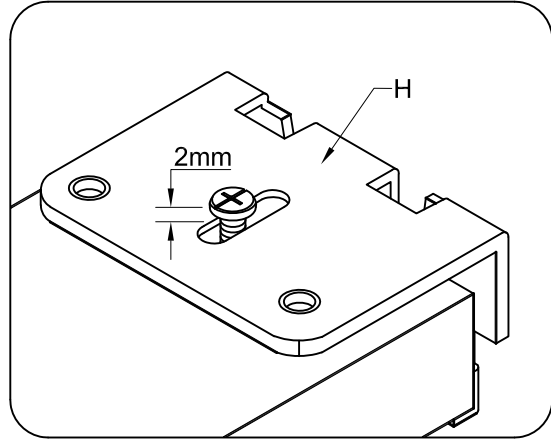
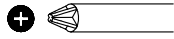


M6x15mm

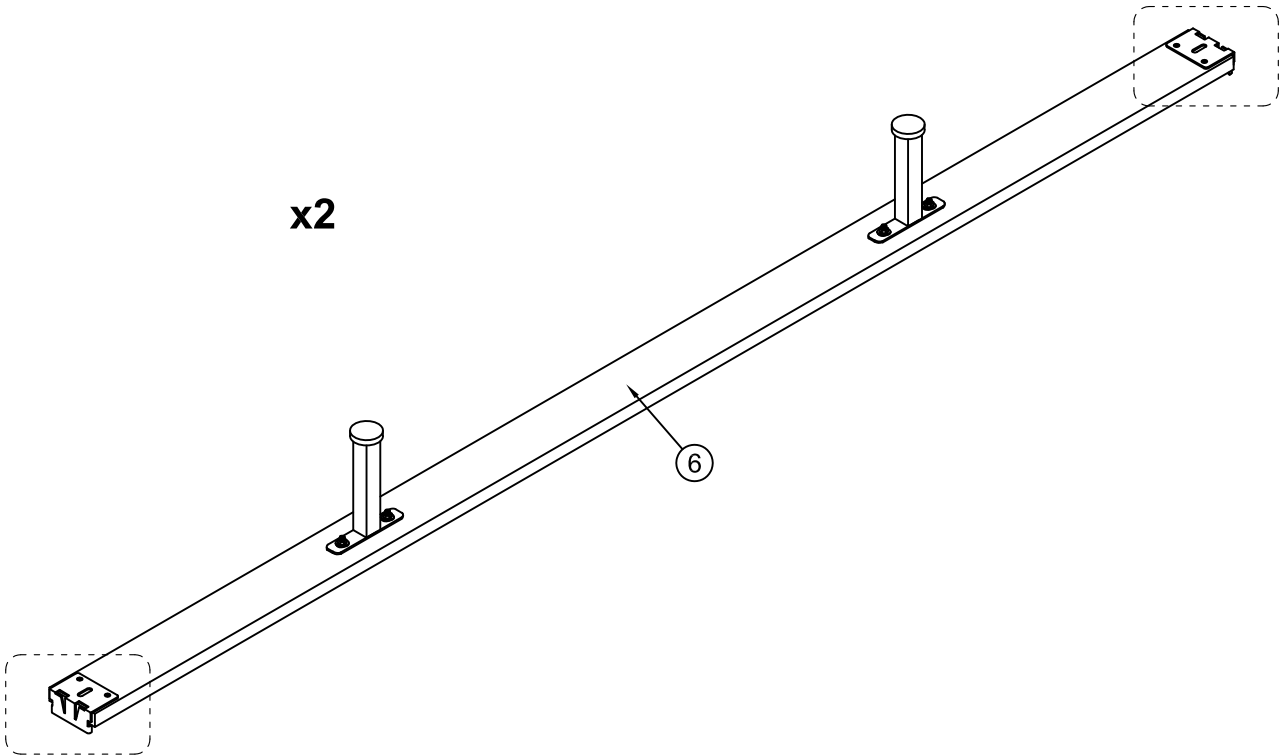
Hx4

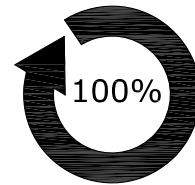
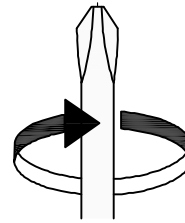
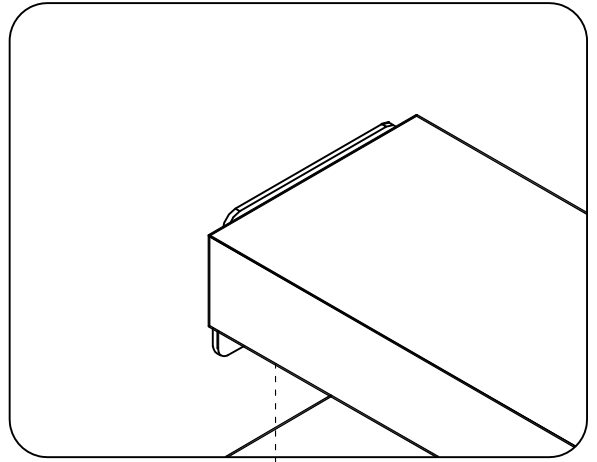
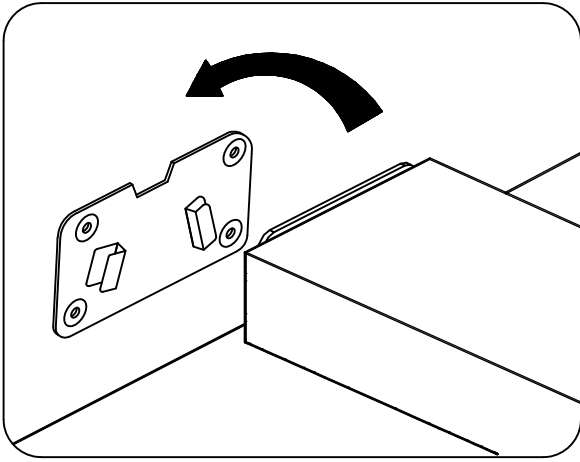


68x47x32mm



x2





NOW TIGHTEN BOLTS TO 100%

