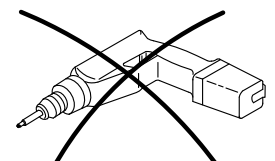
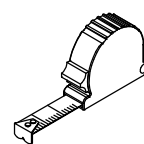
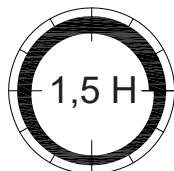
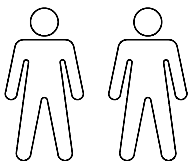
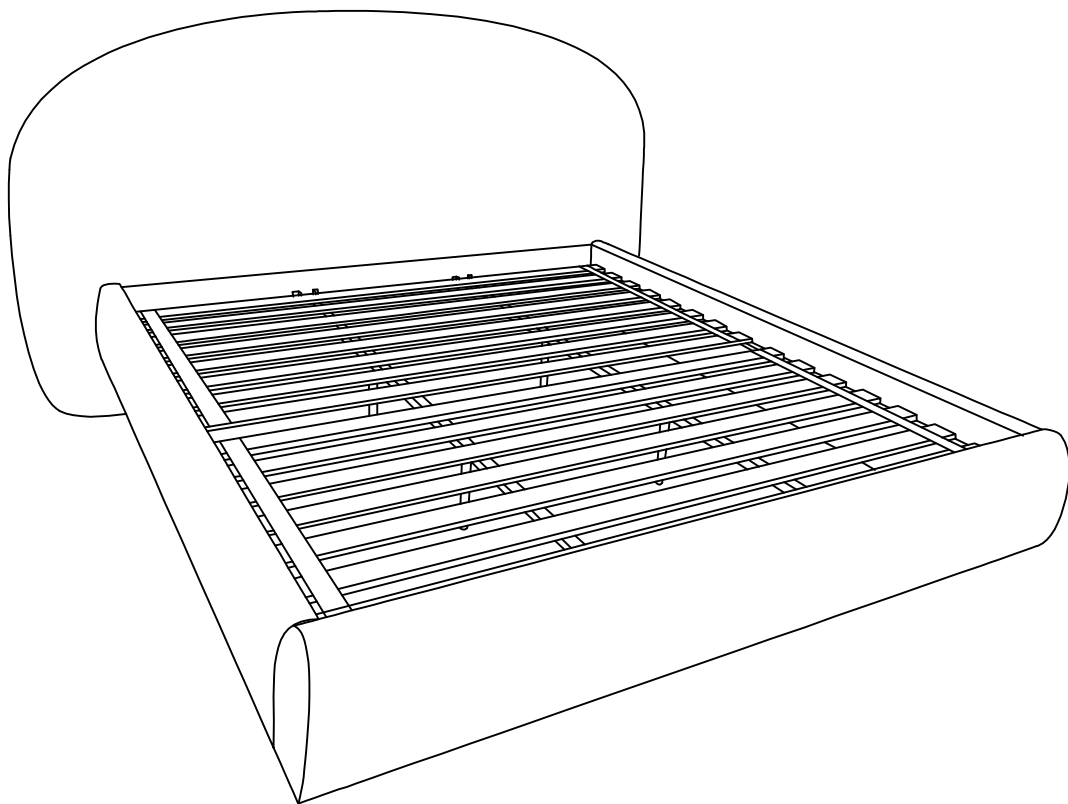


ASSEMBLY INSTRUCTIONS

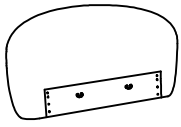
ARZON BEDROOM FURNITURE KING FULL BED

Please read instructions carefully. Remove all wrapping material and packing from the carton. See hardware and furniture parts list for guidance. Be sure you have all parts before you start to assemble the product. Place all furniture parts on a clean surface, such as carpet or rug to prevent the item from being scratched.



Part list:

1 x Part 1



Headboard

1 x Part 2



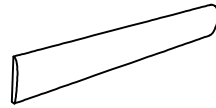
Side rail left

1 x Part 3



Side rail right

1 x Part 4



Footboard

1 x Part 5



Slats

1 x Part 6



Slats

2 x Part 7



Middle support

4 x Part 8



Support leg

4 x Part 9



Leg

Hardware list:

Ax28



Bolt
M8x25

Bx8



Bolt
M6x20

Cx8



Washer
Ø6/Ø18

Dx32



Washer
Ø8/Ø18

Ex1



Allen key
5 mm

Fx2



Bracket
74x50x50

Gx2



Bracket
60x60x40

Hx2



Bracket
150x60x60

Jx2



Bracket
150x60x60

Kx4



Washer
Ø47x2

Lx4

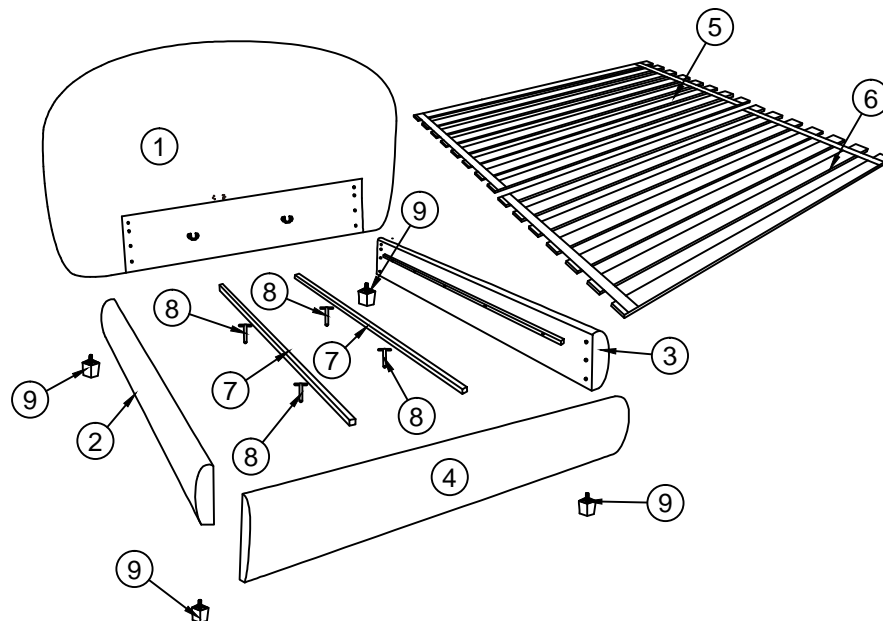


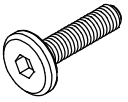
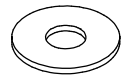

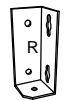
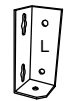
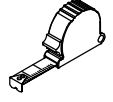
Nut
M8/13

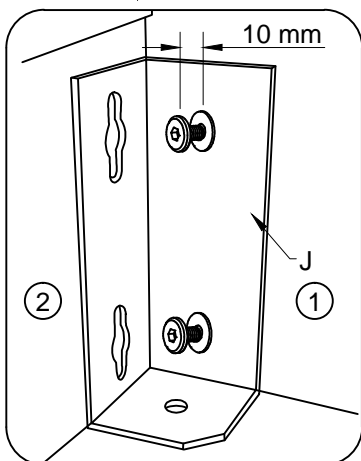
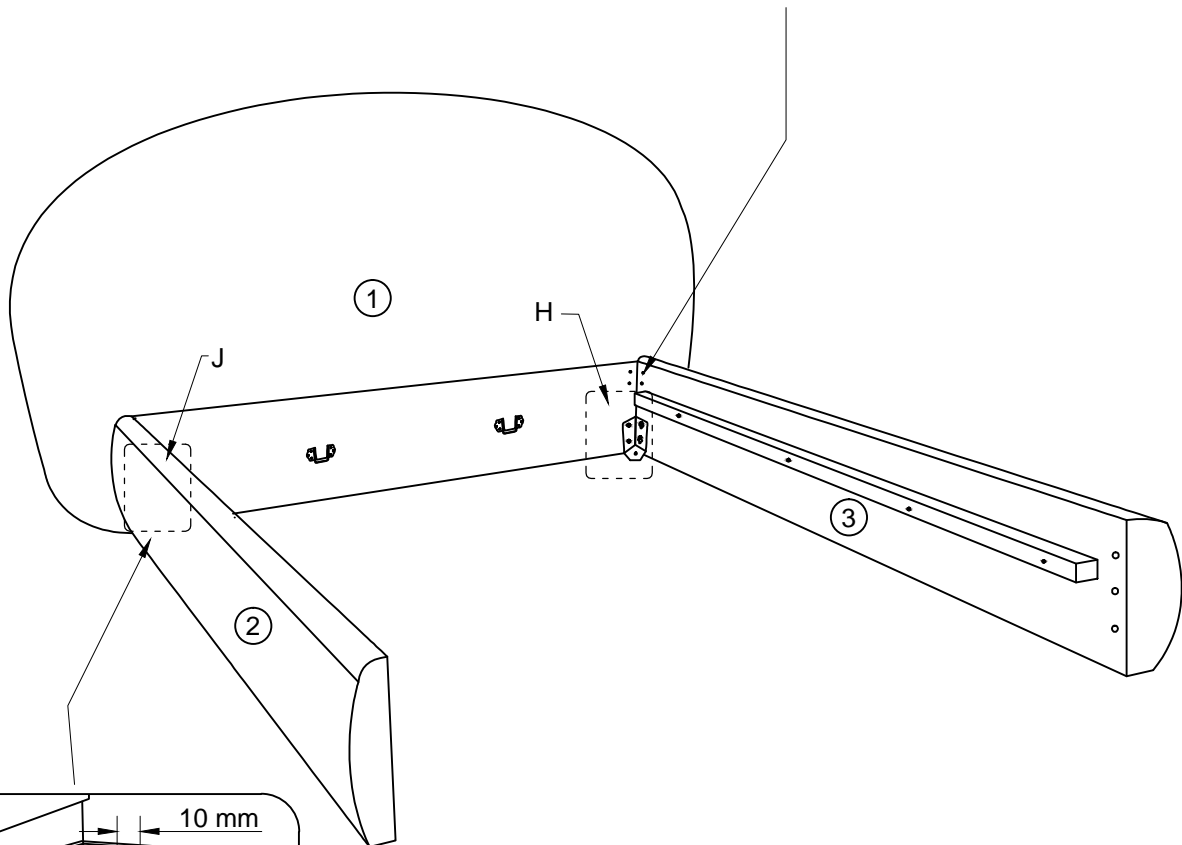
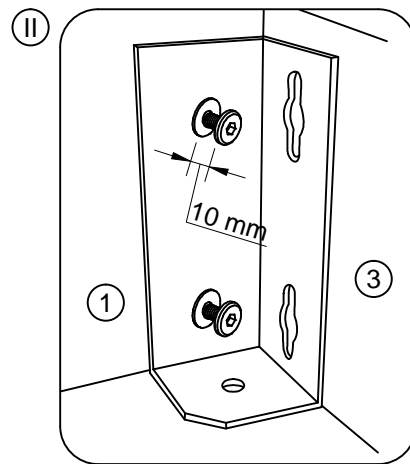
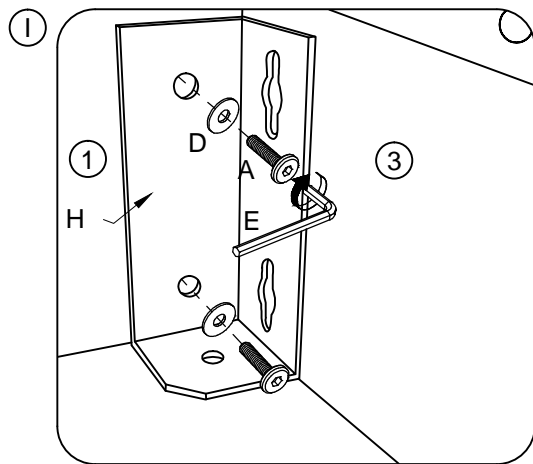
Mx1

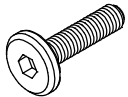
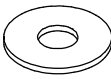
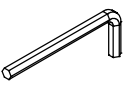




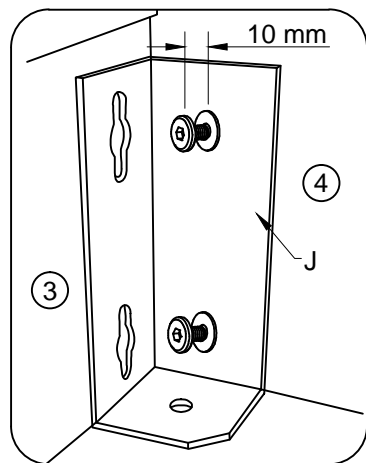
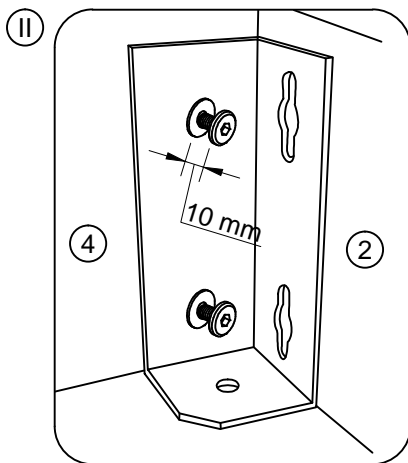
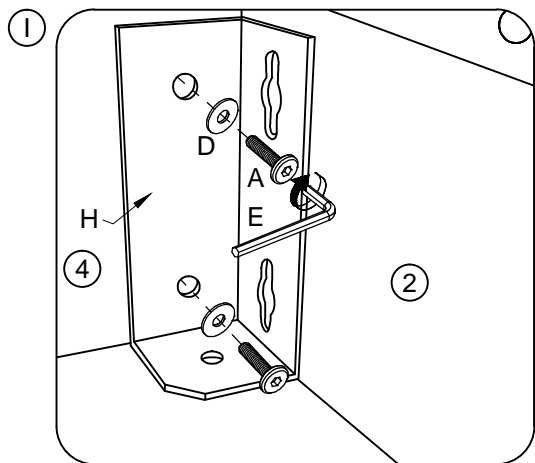
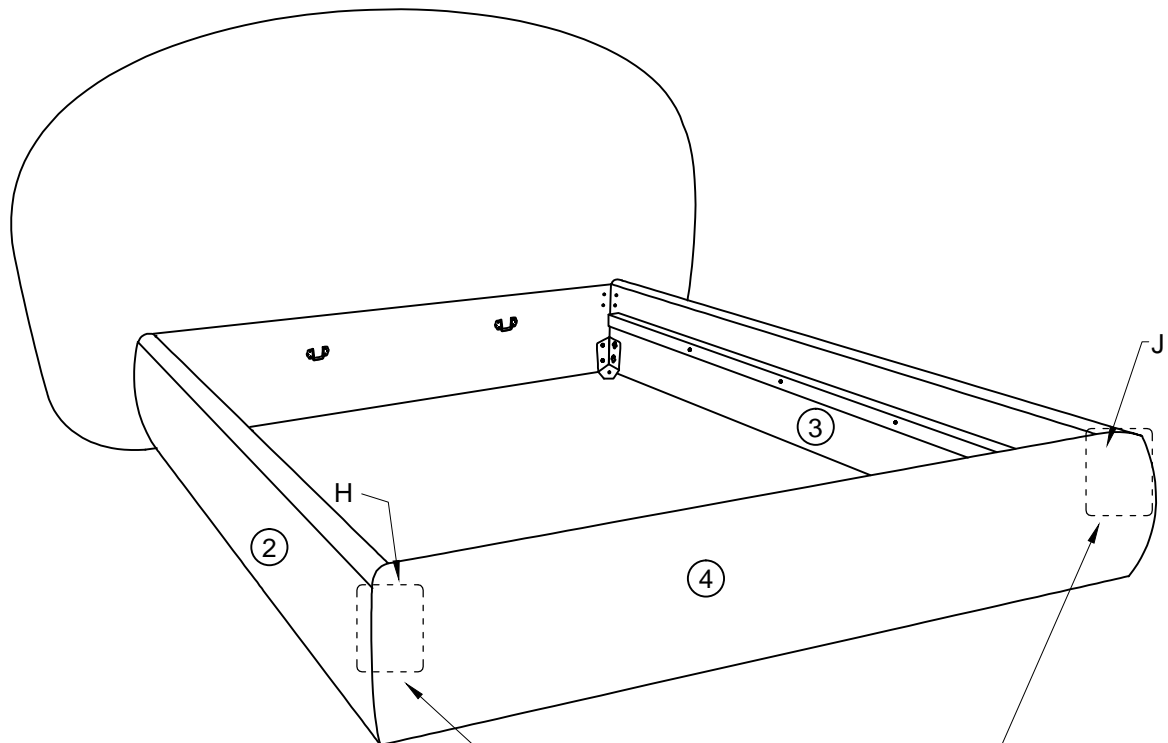
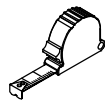
Spanner
13mm



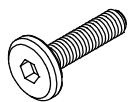
A x 4  M8x25 mm	D x 4  Ø8/Ø18 mm	E x 1  5 mm	H x 1  150x60x60 mm	J x 1  150x60x60 mm	
---	---	--	--	--	---



<p>A x 4</p>  <p>M8x25 mm</p>	<p>D x 4</p>  <p>Ø8/Ø18 mm</p>	<p>E x 1</p>  <p>5 mm</p>	<p>H x 1</p>  <p>150x60x60 mm</p>	<p>J x 1</p>  <p>150x60x60 mm</p>
---	---	--	--	--

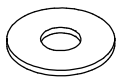


A x 8



M8x25 mm

D x 8

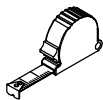


Ø8/Ø18 mm

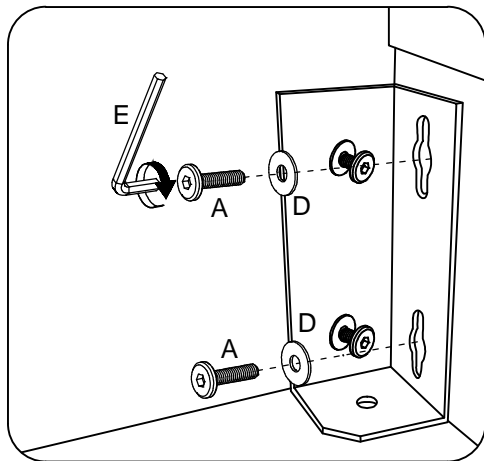
E x 1



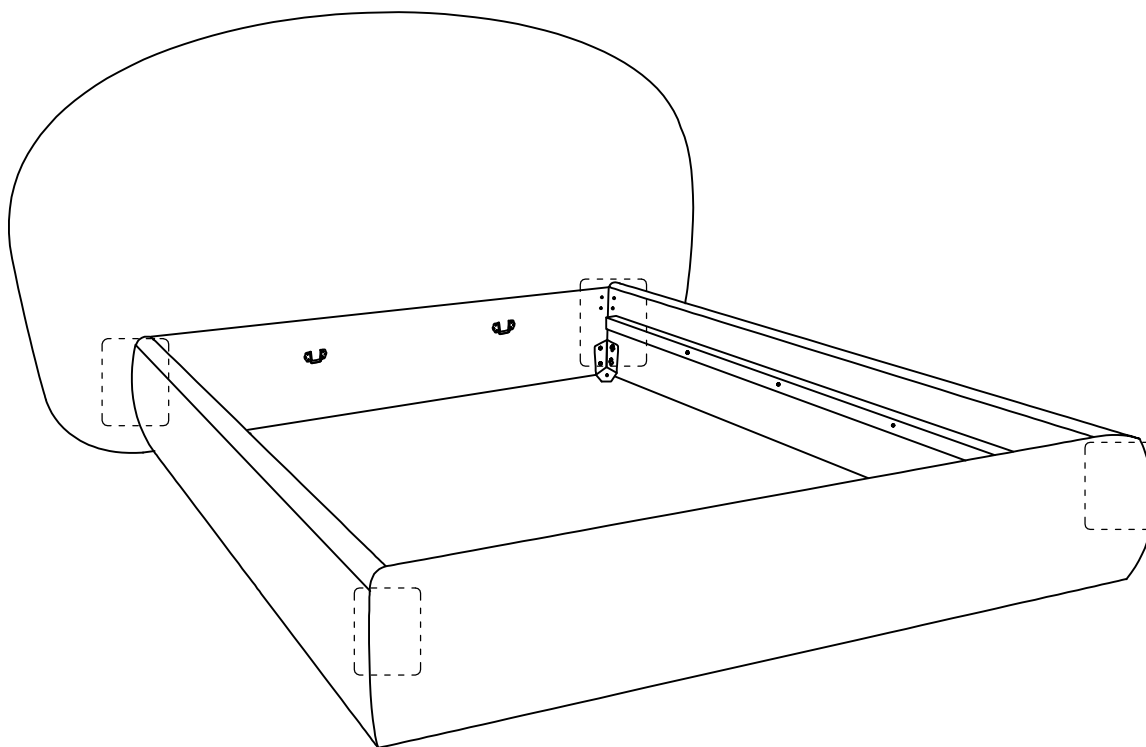
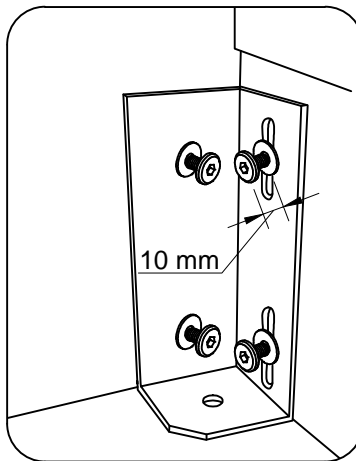
5 mm

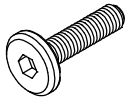
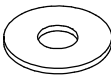
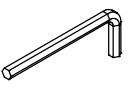
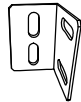


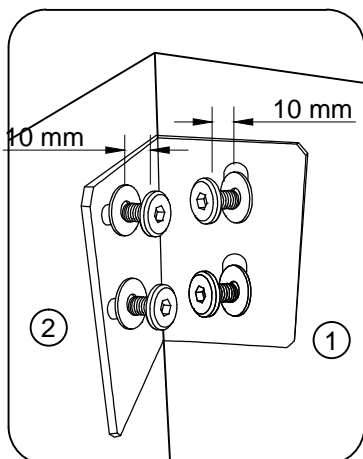
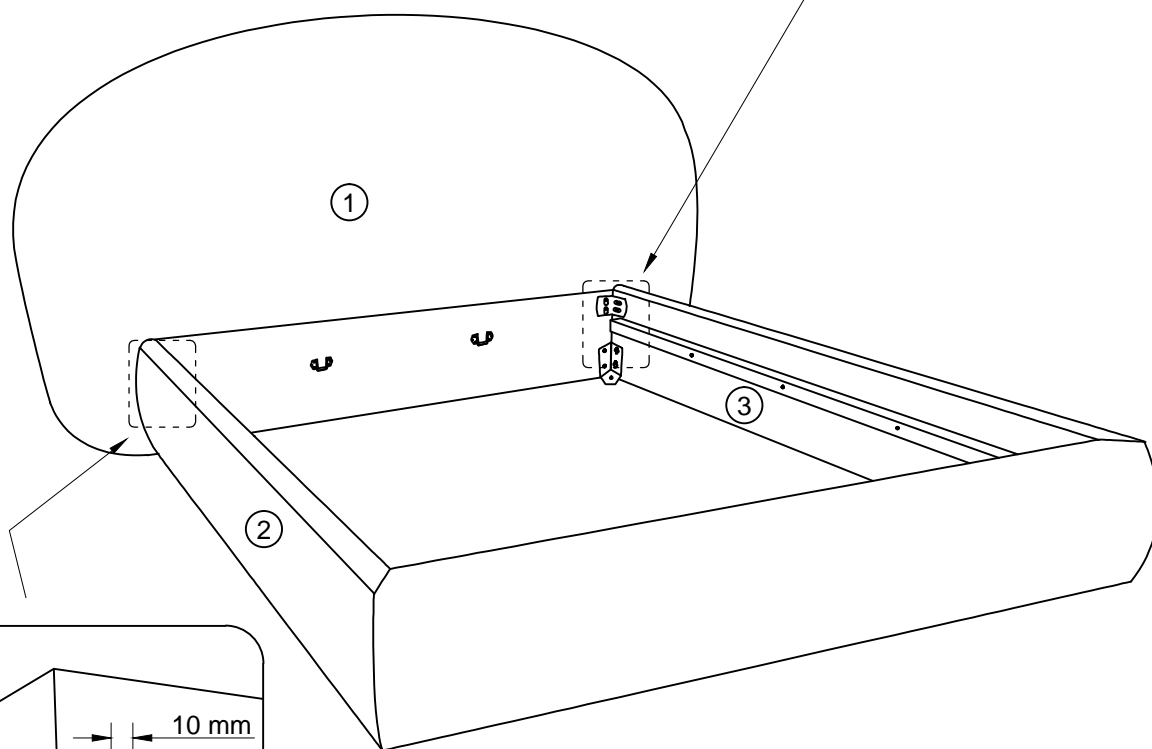
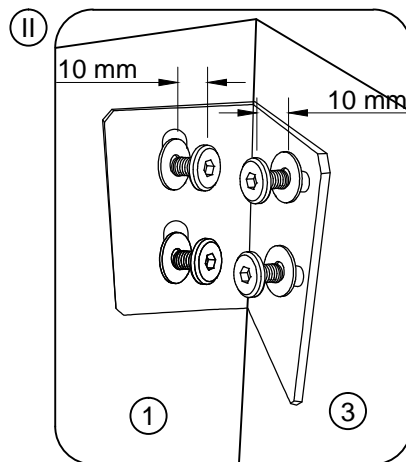
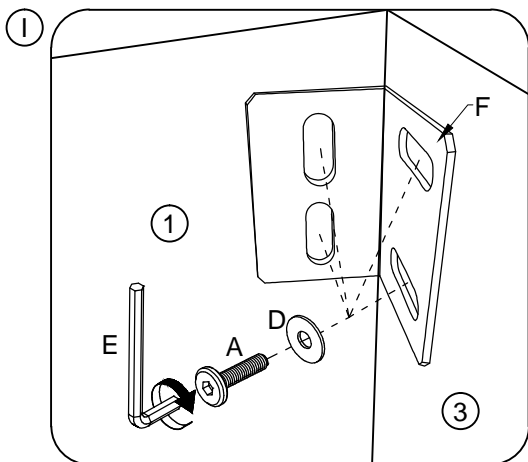
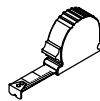
I

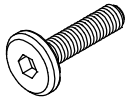
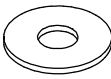
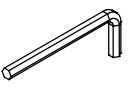
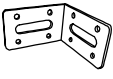


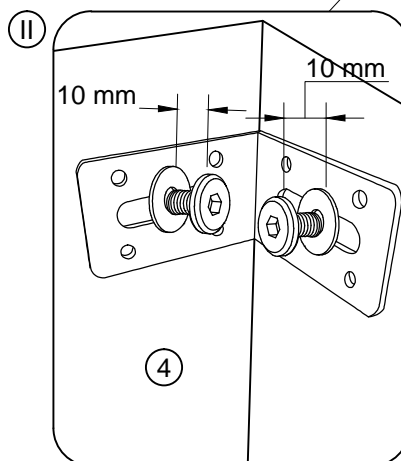
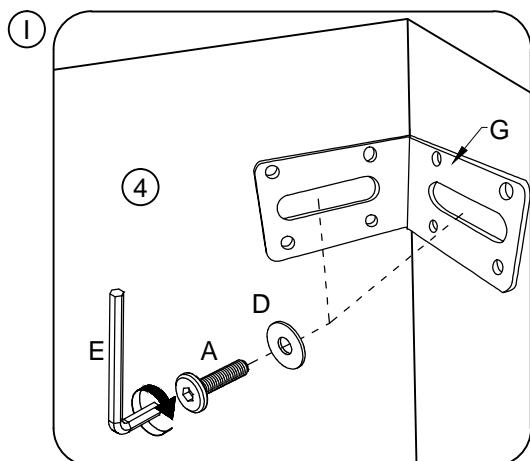
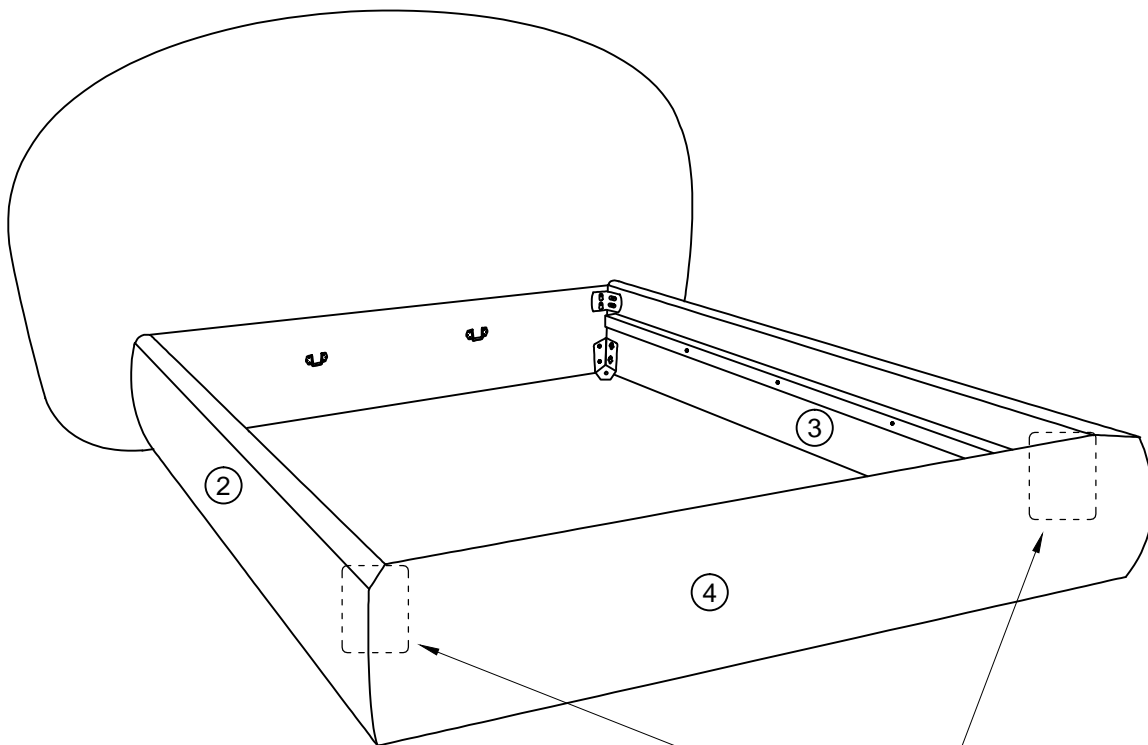
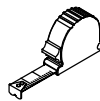
II



<p>A x 8</p>  <p>M8x25 mm</p>	<p>D x 8</p>  <p>Ø8/Ø18 mm</p>	<p>E x 1</p>  <p>5 mm</p>	<p>F x 2</p>  <p>74x50x50 mm</p>
---	---	--	---



<p>A x 4</p>  <p>M8x25 mm</p>	<p>D x 4</p>  <p>Ø8/Ø18 mm</p>	<p>E x 1</p>  <p>5 mm</p>	<p>G x 2</p>  <p>60x60x40 mm</p>
---	---	--	---

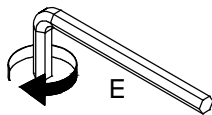


Ex 1

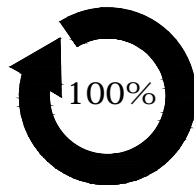


5 mm

6

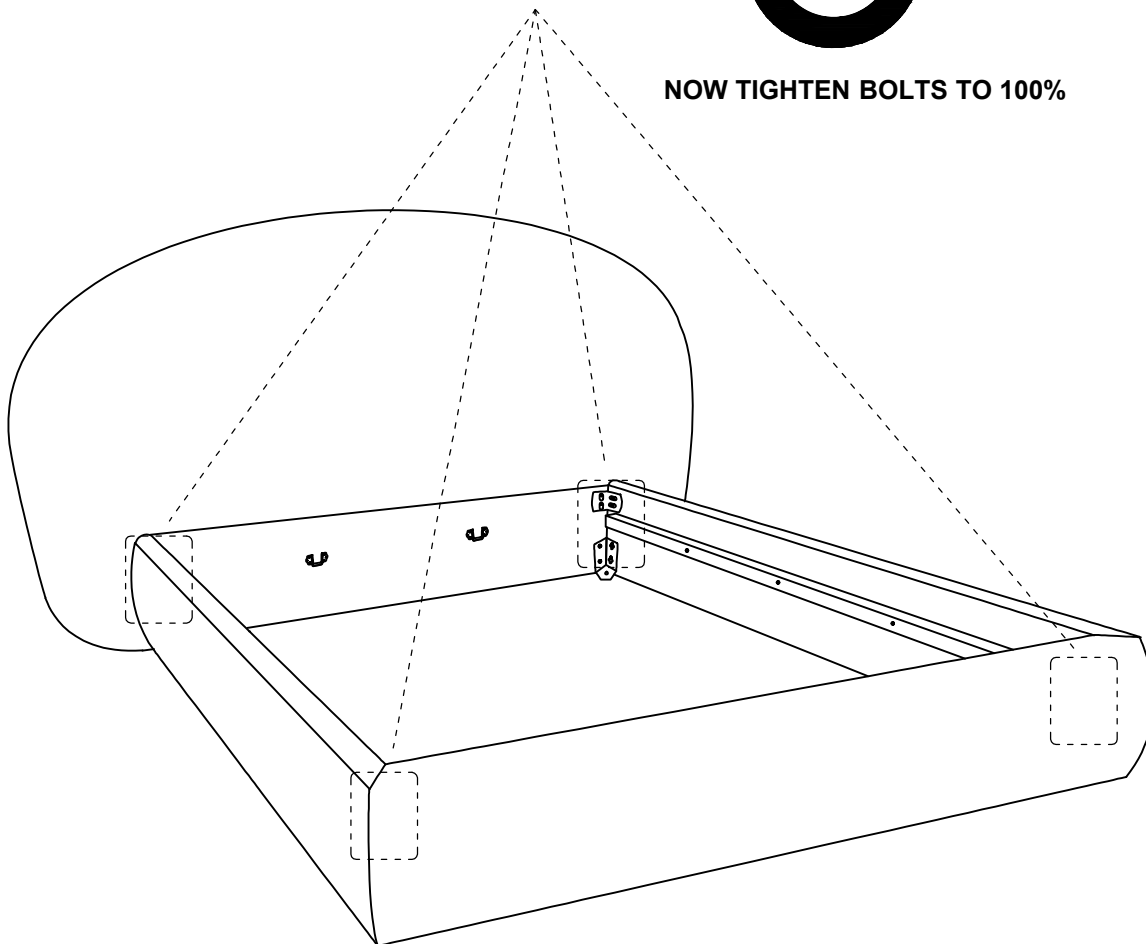


E

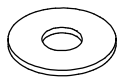


Ax28

NOW TIGHTEN BOLTS TO 100%



D x 4



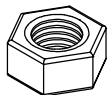
Ø8/Ø18 mm

K x 4



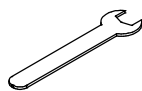
Ø47x2 mm

L x 4

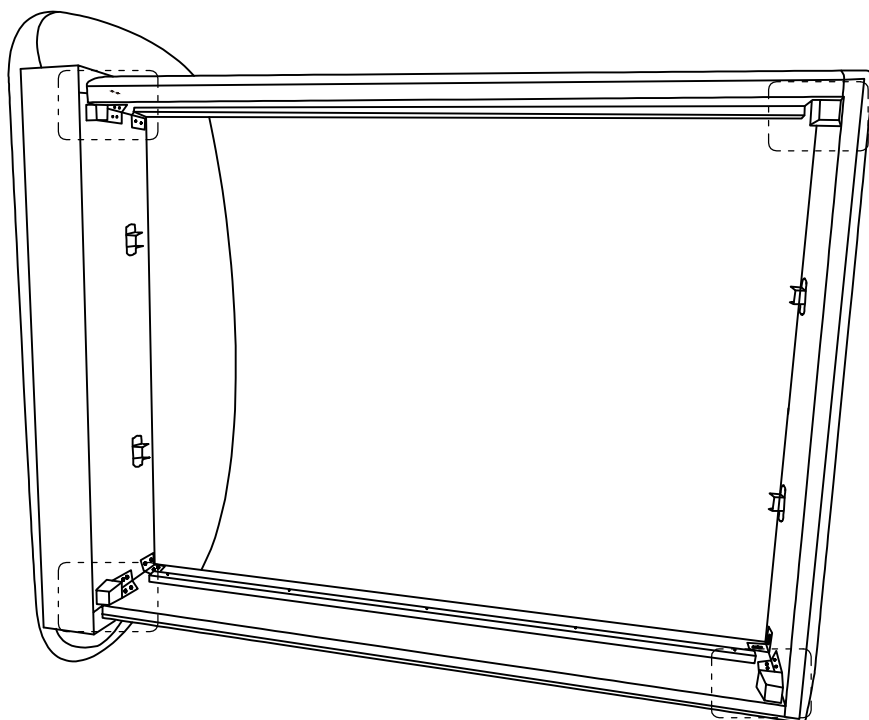
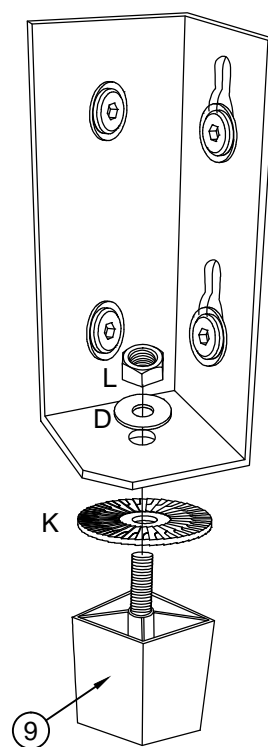
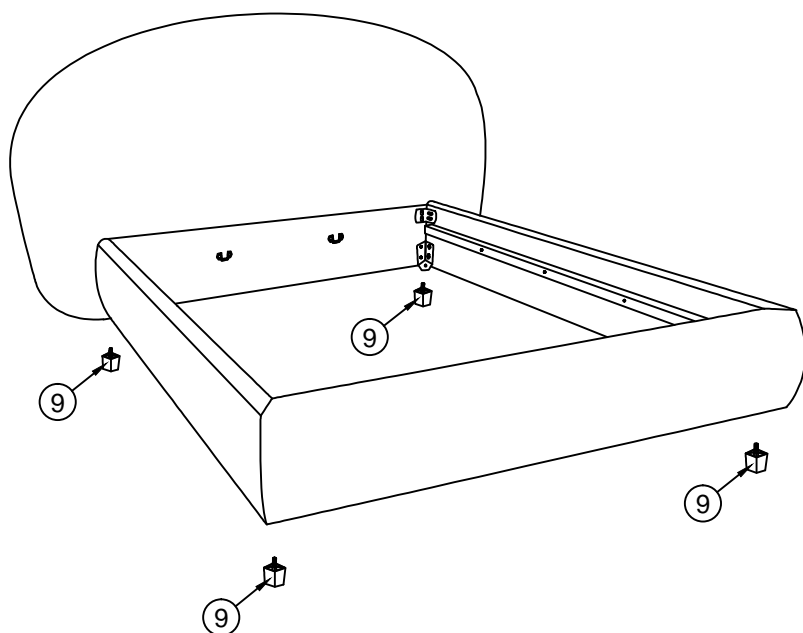


M8/13 mm

M x 1

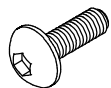


13 mm



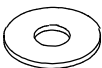
8

B x 8



M6x20 mm

C x 8

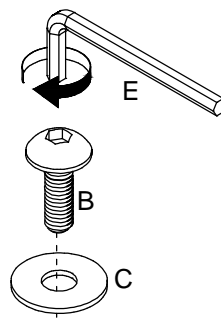


Ø6/Ø18 mm

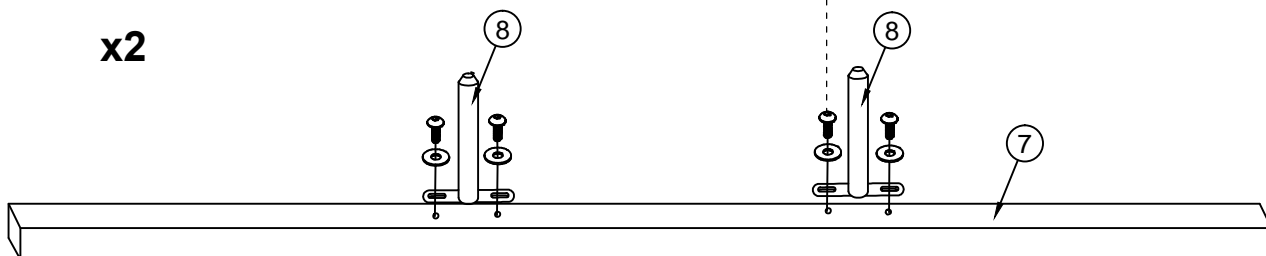
E x 1



5 mm



x2



9

