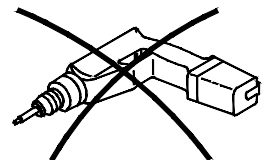
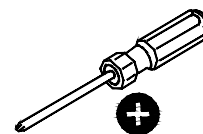
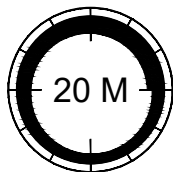
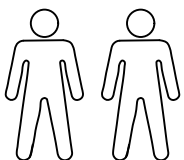
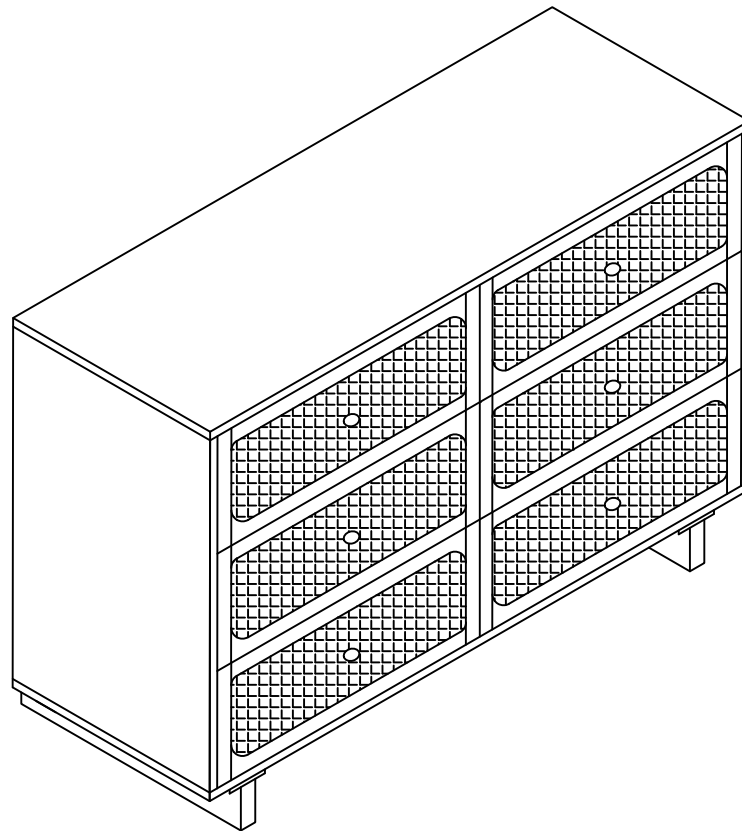


## ASSEMBLY INSTRUCTIONS

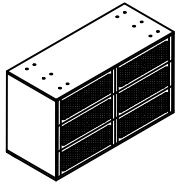
### SEATTLE 6 DRAWER CHEST

Please read instructions carefully. Remove all wrapping material and packing from the carton. See hardware and furniture parts list for guidance. Be sure you have all parts before you start to assemble the product. Place all furniture parts on a clean surface, such as carpet or rug to prevent the item from being scratched.



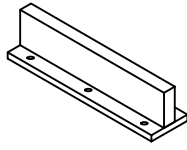
Part list:

1 x Part 1



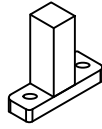
Cabinet

2 x Part 2



Leg

3 x Part 1



Center Leg

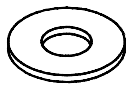
Hardware list:

Ax14



Bolt  
M6X25

Bx14

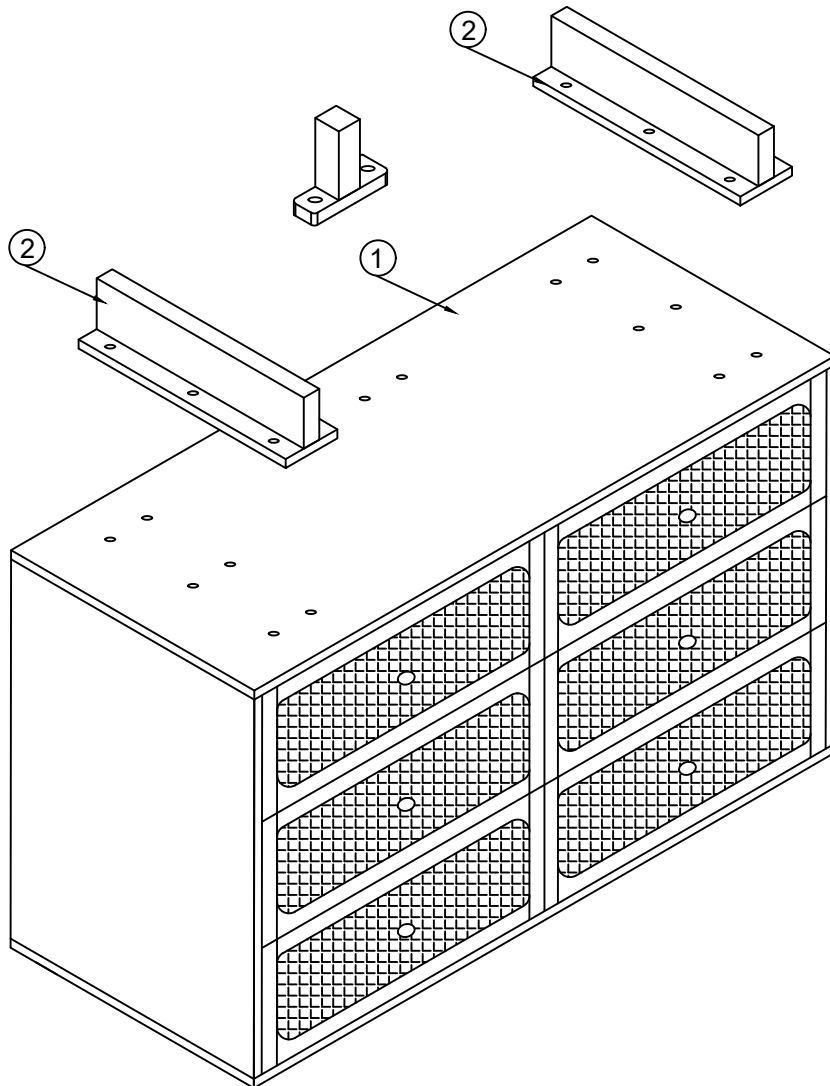





Washer  
Ø8X17

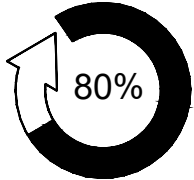
Cx1



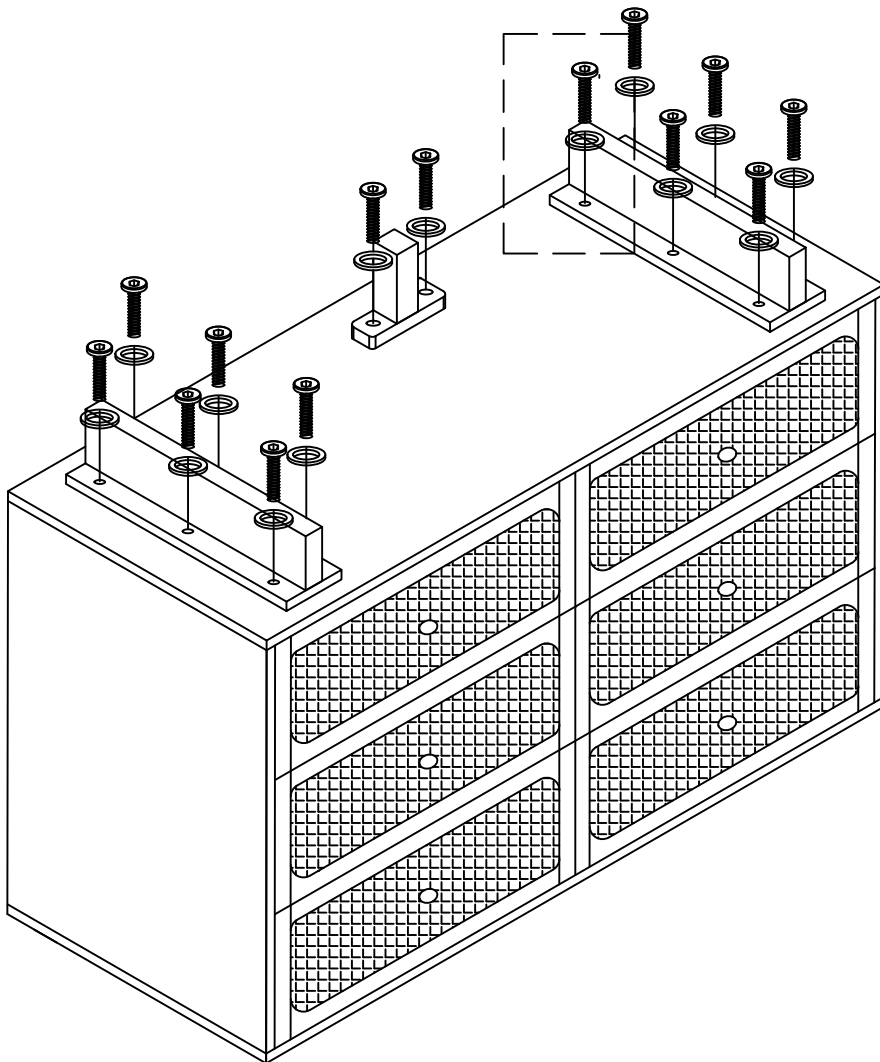
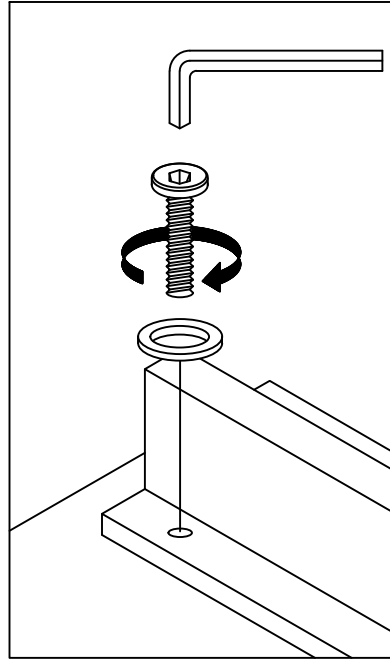
Allen key  
4mm



Ax14  M6x25mm	Bx14  Ø8X17	Cx1  4mm
--	--	---



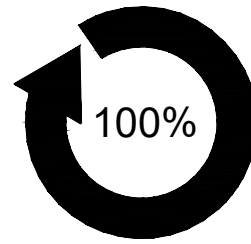
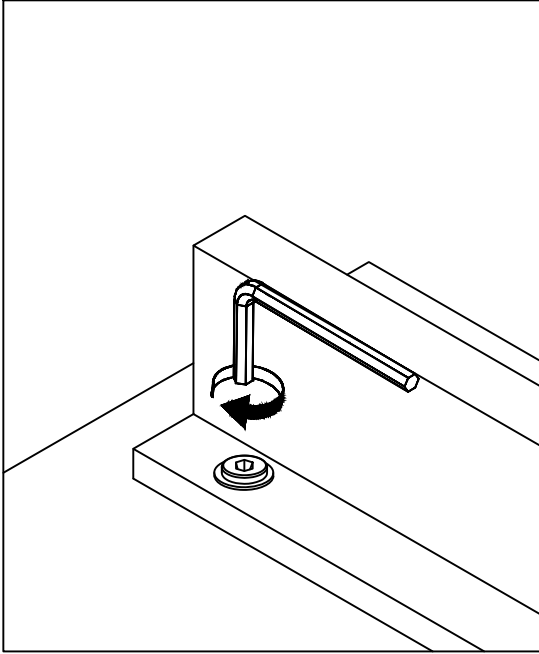
TIGHTEN BOLTS TO 80%.



Cx1



4mm



**NOW TIGHTEN BOLTS TO 100%.**

