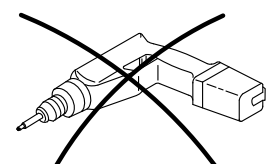
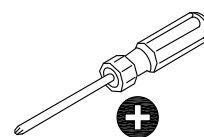
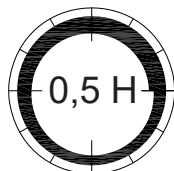
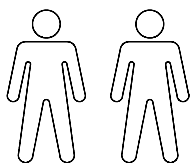
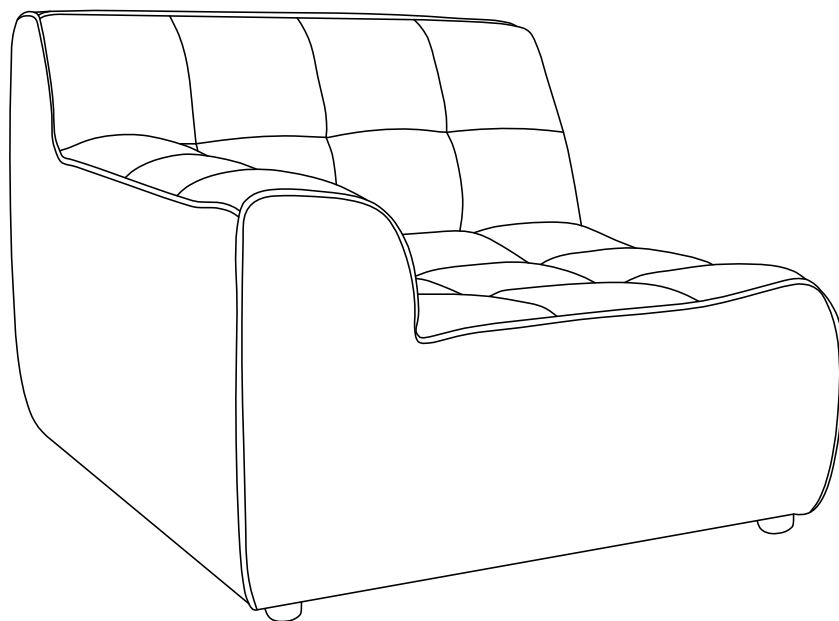


ASSEMBLY INSTRUCTIONS

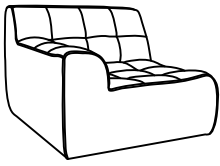
HAMMOND MODULAR SOFA CORNER LEFT ARM FACING

Please read instructions carefully. Remove all wrapping material and packing from the carton. See hardware and furniture parts list for guidance. Be sure you have all parts before you start to assemble the product. Place all furniture parts on a clean surface, such as carpet or rug to prevent the item from being scratched.



Part list:

1 x Part 1



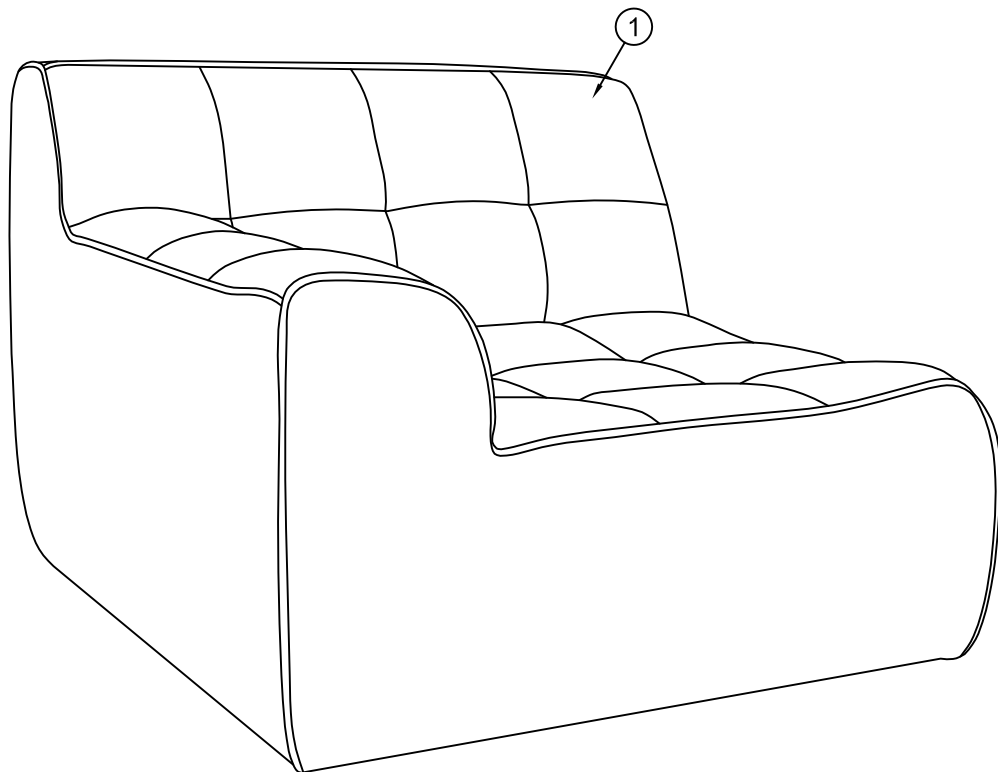
Seat

Hardware list:

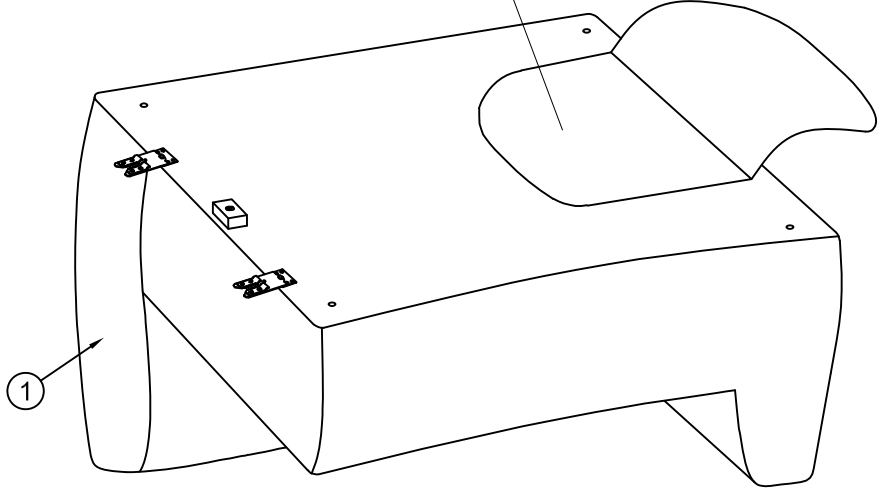
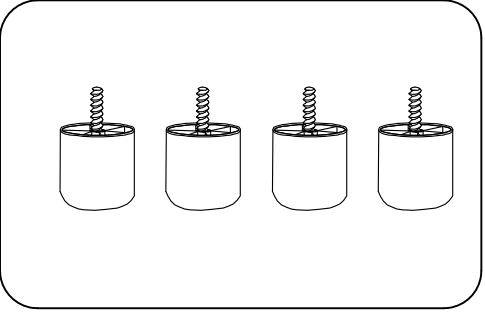
Ax4



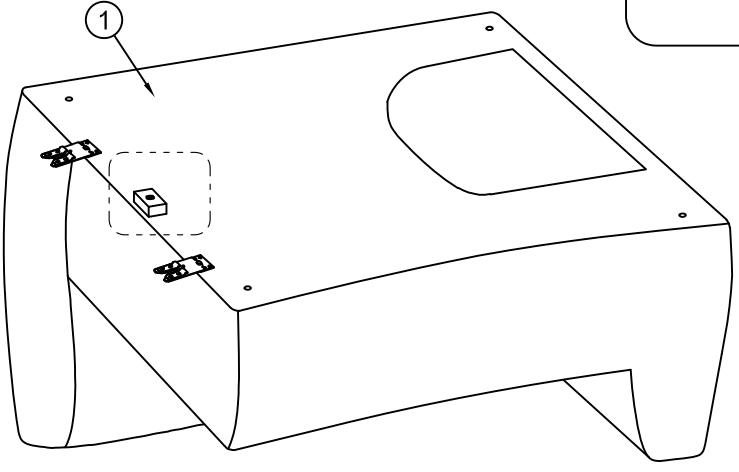
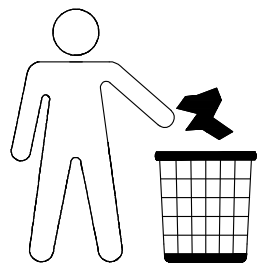
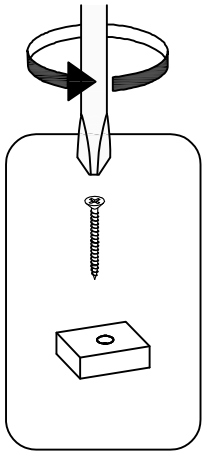
Leg
Ø50x50



1

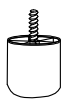


2

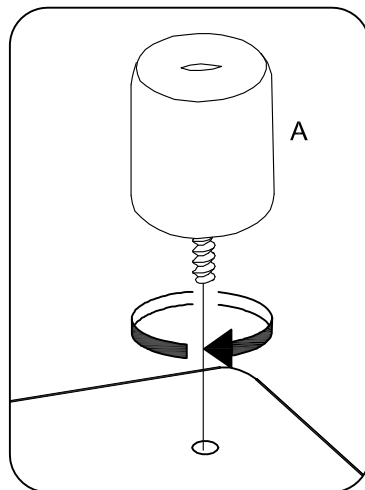
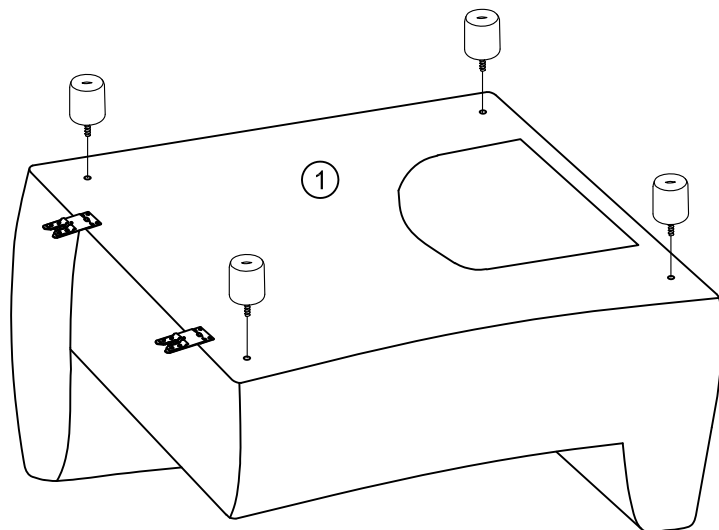


3

Ax4



Ø50x50mm



4

