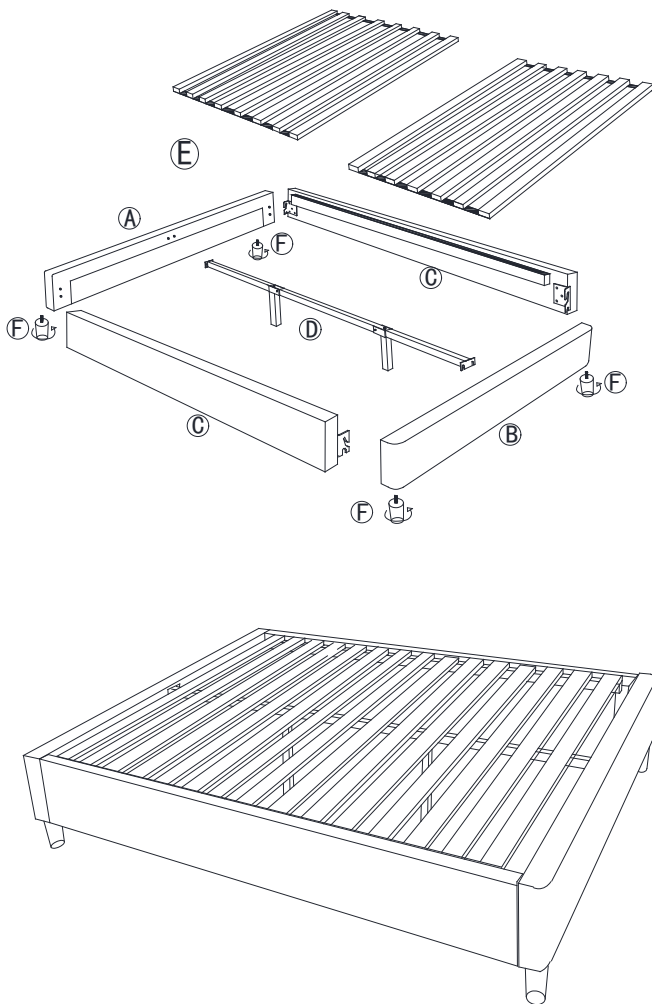


ASSEMBLY INSTRUCTIONS

DUNE BED BASE KING

Please read instructions carefully. Remove all wrapping material and packing from the carton. See hardware and furniture parts list for guidance. Be sure you have all parts before you start to assemble the product. Place all furniture parts on a clean surface, such as carpet or rug to prevent the item from being scratched.

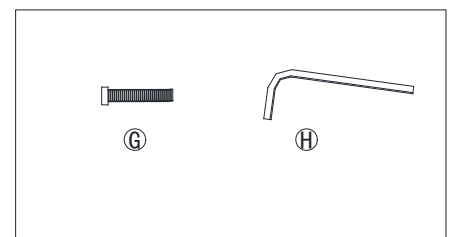


PARTS/INCLUDED

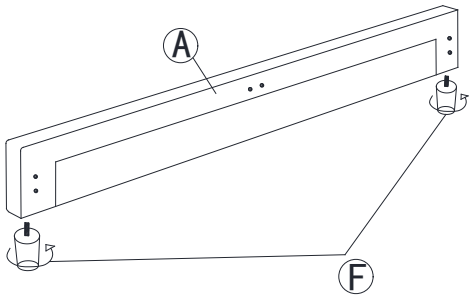
A.Headboard	:1pc
B.Footboard	:1pc
C.Siderails	:2pcs
D.Middle support bar	:1pc
E.Slat	:2pcs
F.Bed legs	:4pcs

HARDWAR LIST

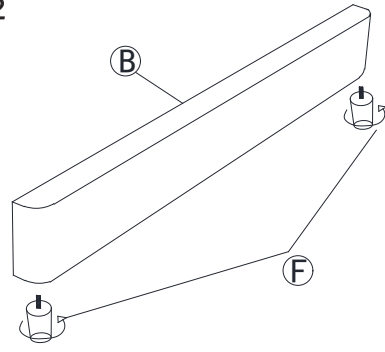
G.Bolts	:2pcs
H.Inner allen wrench	:1pc



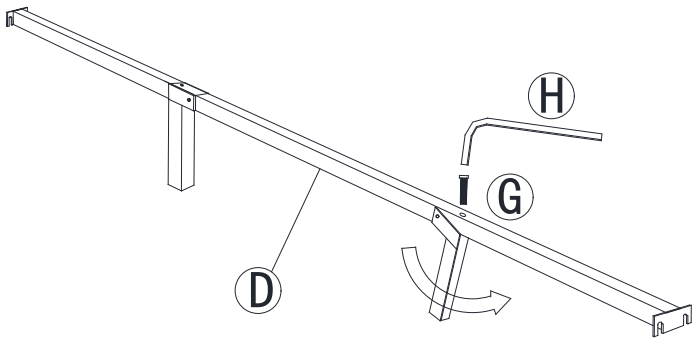
STEP 1



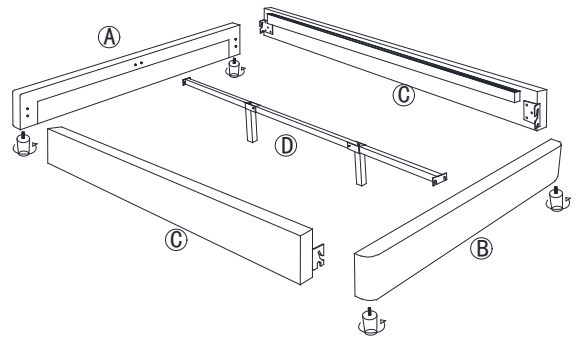
STEP 2



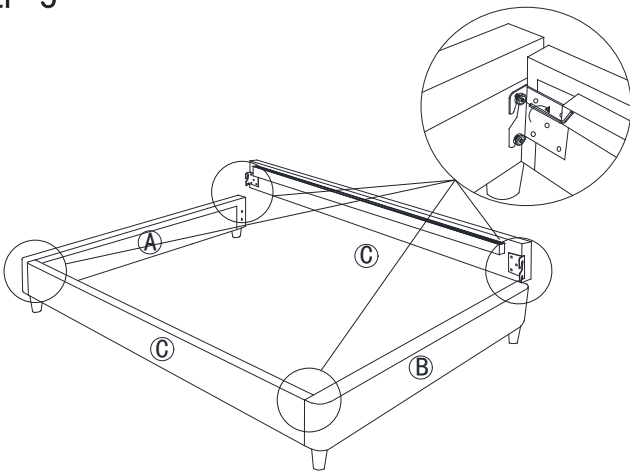
STEP 3



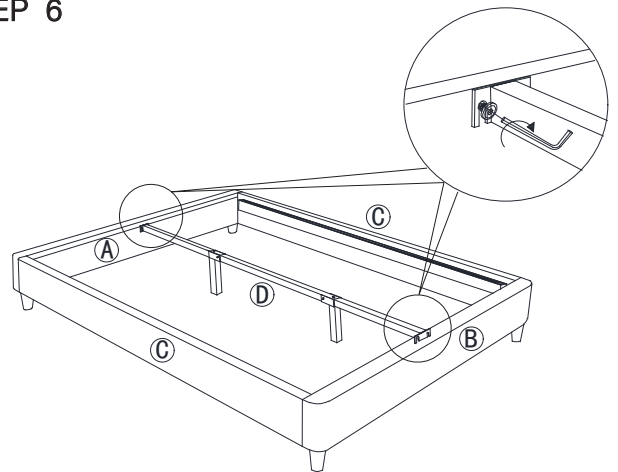
STEP 4



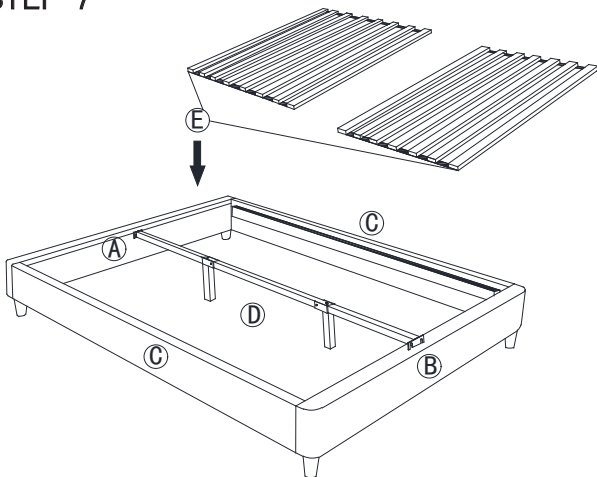
STEP 5



STEP 6



STEP 7



STEP 8

