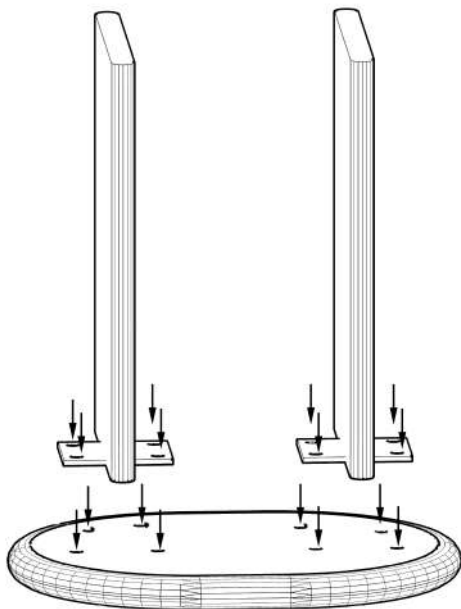


ASSEMBLY INSTRUCTIONS

TRAVERTINE SIDE TABLE

Please read instructions carefully. Remove all wrapping material, staples and packing straps from the carton. See Hardware and Furniture Parts List for guidance. Be sure you have all parts before you start assembling. Place all wooden furniture parts on a clean and flat soft surface, such as carpet or rug to prevent from being scratched.



PARTS INCLUDED

1. TOP	:	1 Pc
2. LEG	:	2 Pcs

HARDWARE LIST

A. ALLEN KEY	:	1 Pc
B. BOLT	:	8 Pcs
C. WASHER	:	8 Pcs



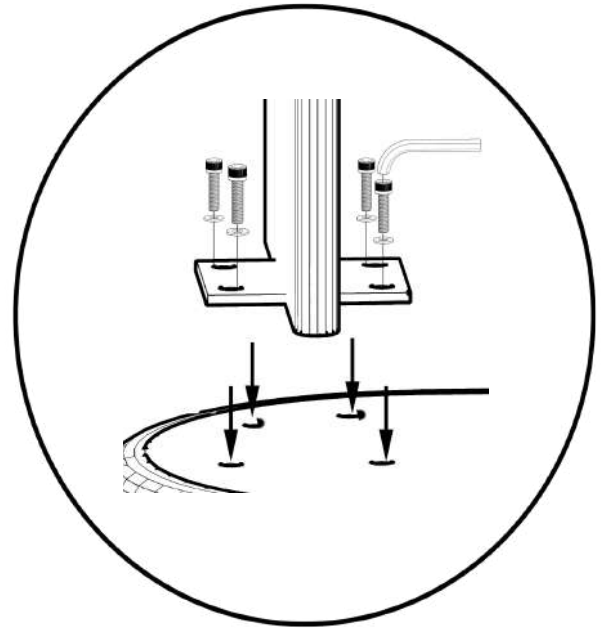
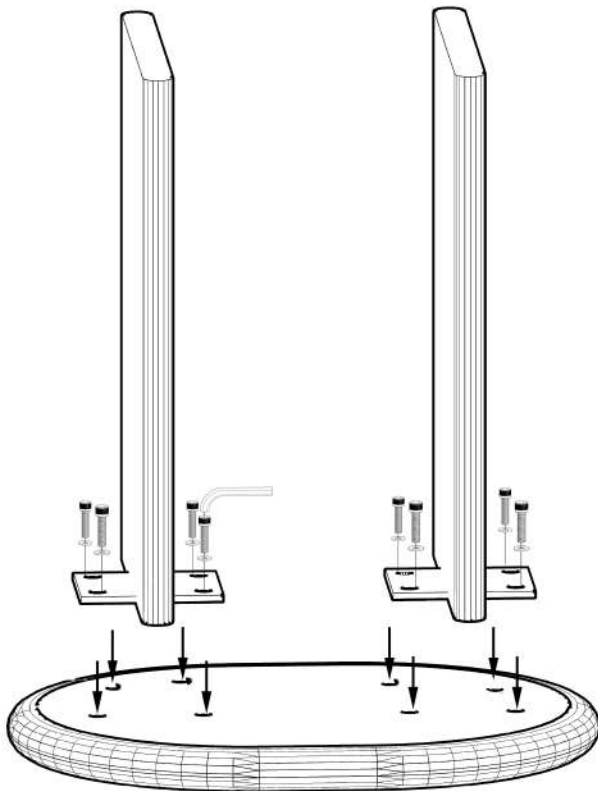
FOR ASSEMBLY

- First, check the content to make sure that nothing is missing.
- Sort out the parts and fittings as shown, assemble product step by step.
- It is preferable to rest the product on a soft surface to avoid damage during assembly.
- Do not over tighten screws and fittings.
- Re-tighten all screws and fittings periodically.

www.adairs.com.au
www.adairs.co.nz

adairs

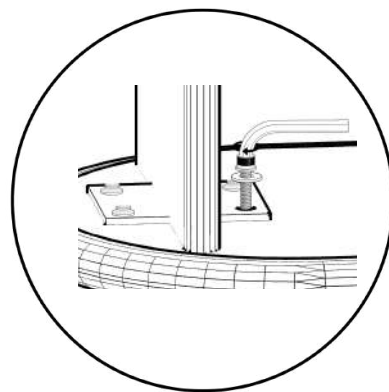
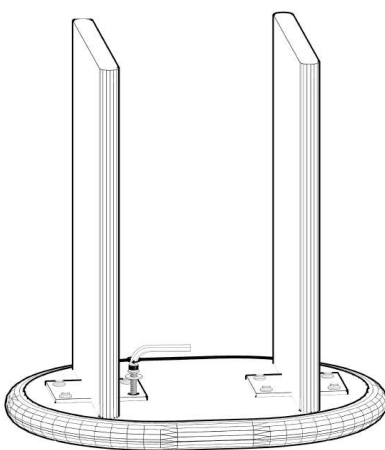
STEP 1



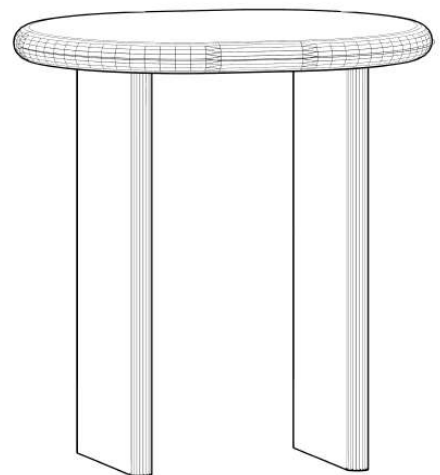
DO NOT FULLY TIGHTEN

STEP 2

Keep both legs straight and tighten all the screws.



STEP 3



Turn the unit upside down. Your product is ready to use