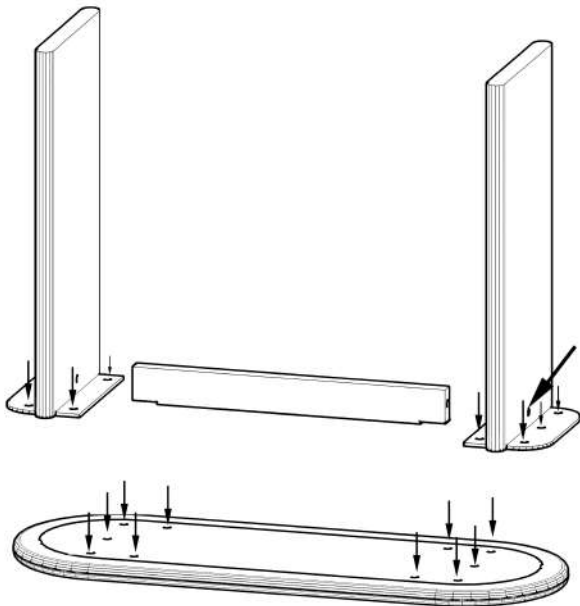


ASSEMBLY INSTRUCTIONS

TRAVERTINE CONSOLE TABLE

Please read instructions carefully. Remove all wrapping material, staples and packing straps from the carton. See Hardware and Furniture Parts List for guidance. Be sure you have all parts before you start assembling. Place all wooden furniture parts on a clean and flat soft surface, such as carpet or rug to prevent from being scratched.

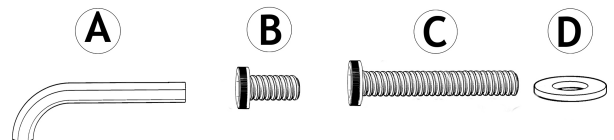


PARTS INCLUDED

1. TOP	:	1 Pc
2. LEG	:	2 Pcs
3. CENTER WOODEN SUPPORT	:	1 Pc

HARDWARE LIST

A. ALLEN KEY	:	1 Pc
B. SMALL BOLT	:	10 Pcs
C. BIG BOLT	:	2 Pcs
D. WASHER	:	12 Pcs



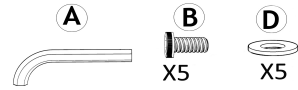
FOR ASSEMBLY

- First, check the content to make sure that nothing is missing.
- Sort out the parts and fittings as shown, assemble product step by step.
- It is preferable to rest the product on a soft surface to avoid damage during assembly.
- Do not over tighten screws and fittings.
- Re-tighten all screws and fittings periodically.

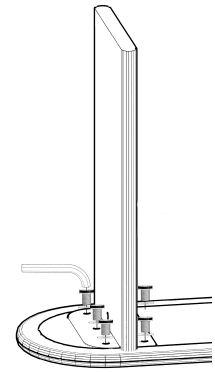
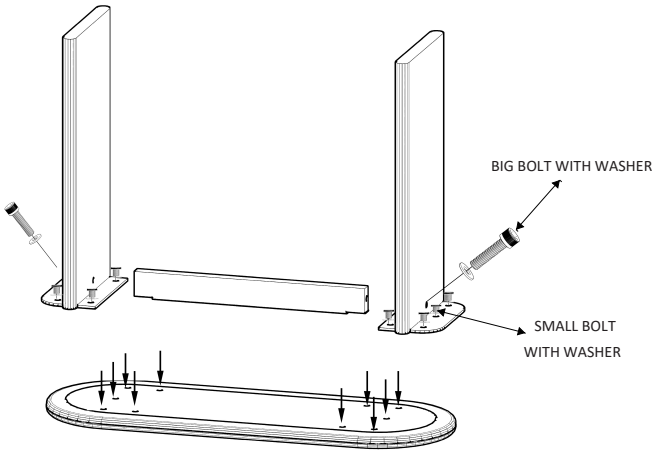
www.adairs.com.au

www.adairs.co.nz

First assemble one side leg with small bolts.



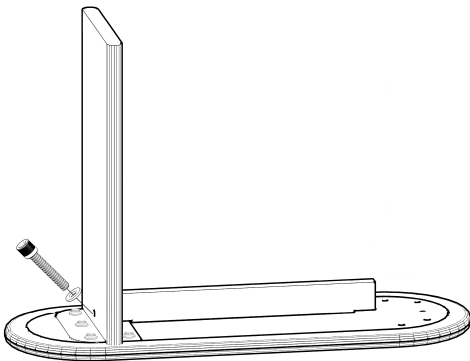
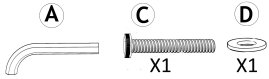
STEP 1



Do not fully tighten

STEP 2

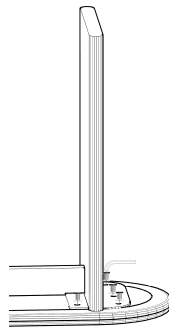
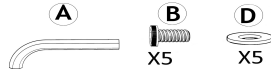
Then place center wooden support and assemble with big bolt just like image.



Do not fully tighten

STEP 3

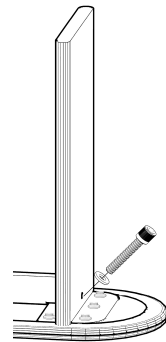
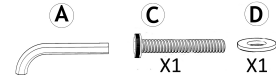
Then assemble another side leg



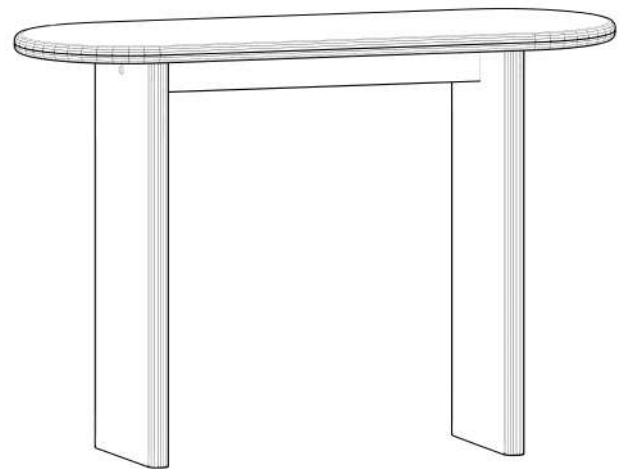
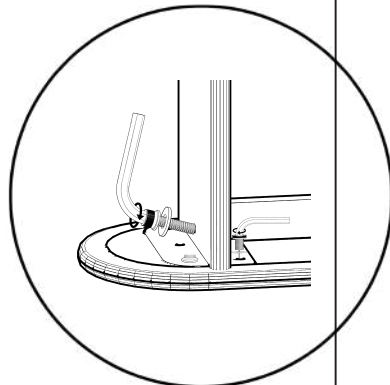
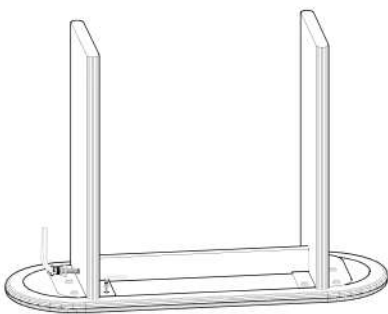
Do not fully tighten

STEP 4

Assemble big bolt for center support



Keep both legs straight and tighten all the screws.



Warning: Two people are required to turn this unit upside down. NOTE this item is heavy and care should be taken when doing this. Turn the unit upside down. Your product is ready to use