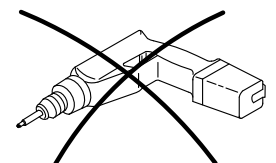
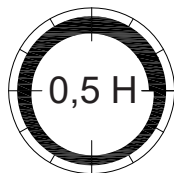
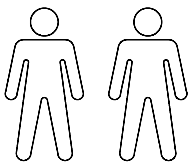
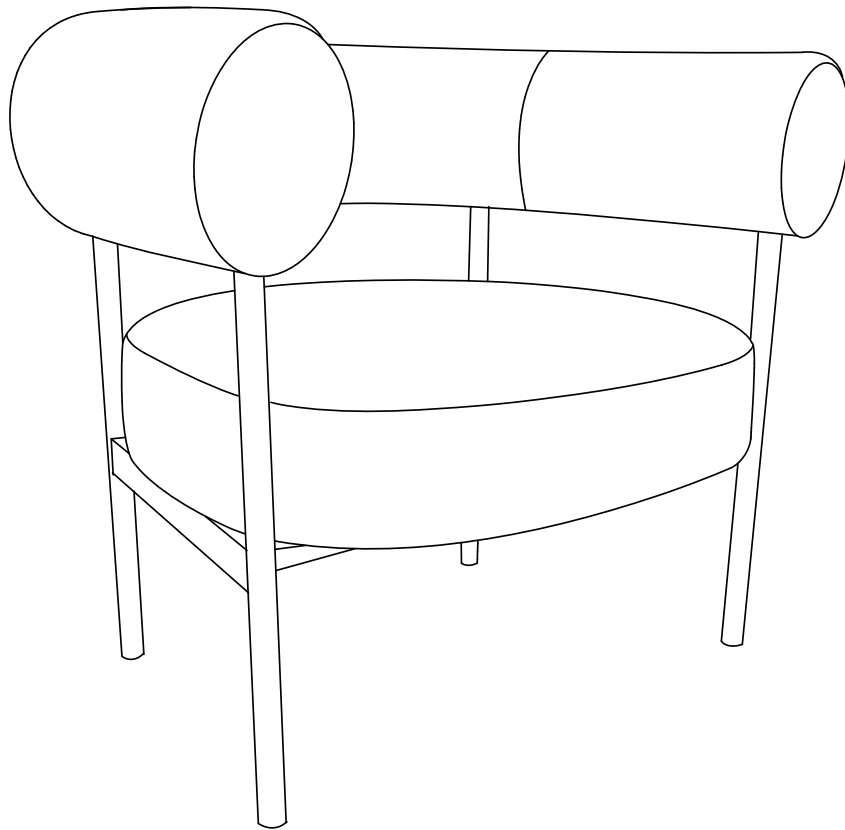


ASSEMBLY INSTRUCTIONS

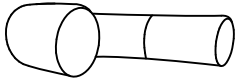
MILROY CHAIR

Please read instructions carefully. Remove all wrapping material and packing from the carton. See hardware and furniture parts list for guidance. Be sure you have all parts before you start to assemble the product. Place all furniture parts on a clean surface, such as carpet or rug to prevent the item from being scratched.



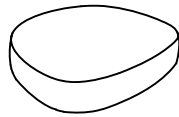
Part list:

1 x Part 1



Backrest

1 x Part 2



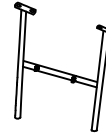
Seat

1 x Part 3



Leg frame left

1 x Part 4



Leg frame right

1 x Part 5



Rail back

1 x Part 6



Rail front

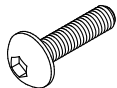
Hardware list:

Ax8



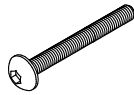
Bolt
M6x12

Bx6



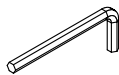
Bolt
M6x25

Cx4



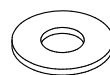
Bolt
M6x60

Dx1



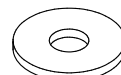
Allen key
5mm

Ex12

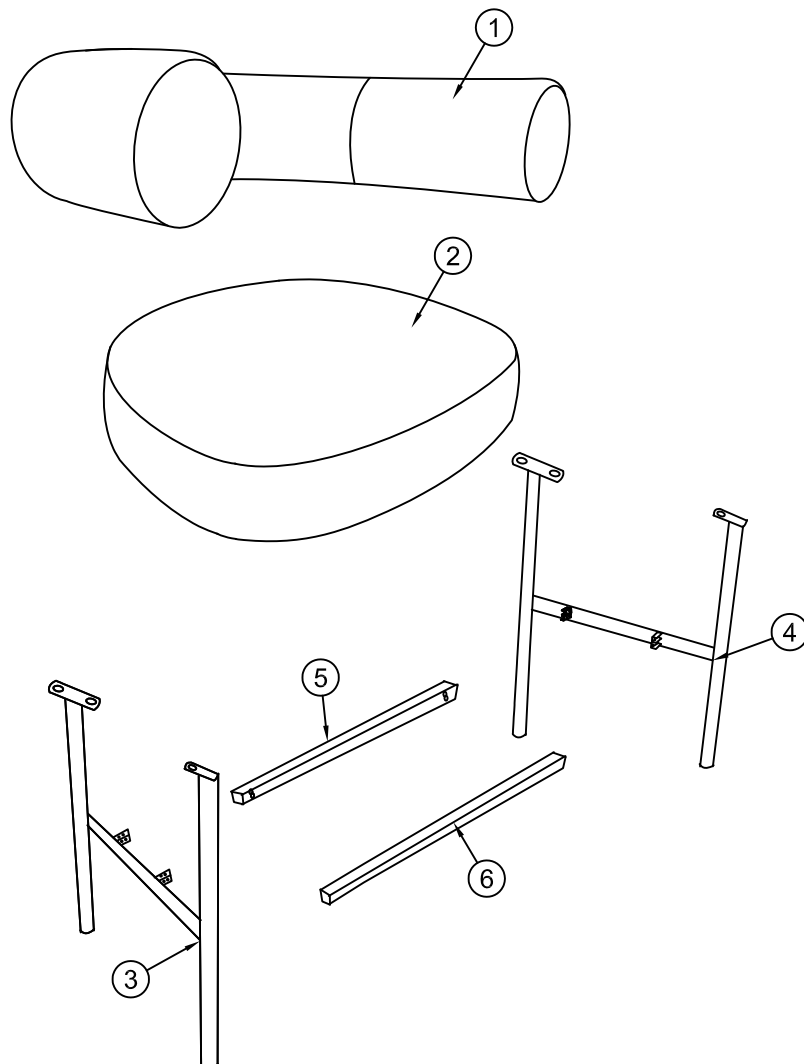


Washer
Ø6/Ø13

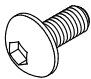
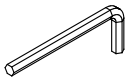
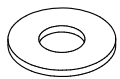
Fx6


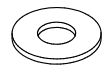



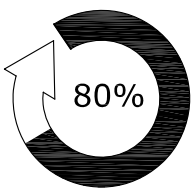
Washer
Ø6/Ø16



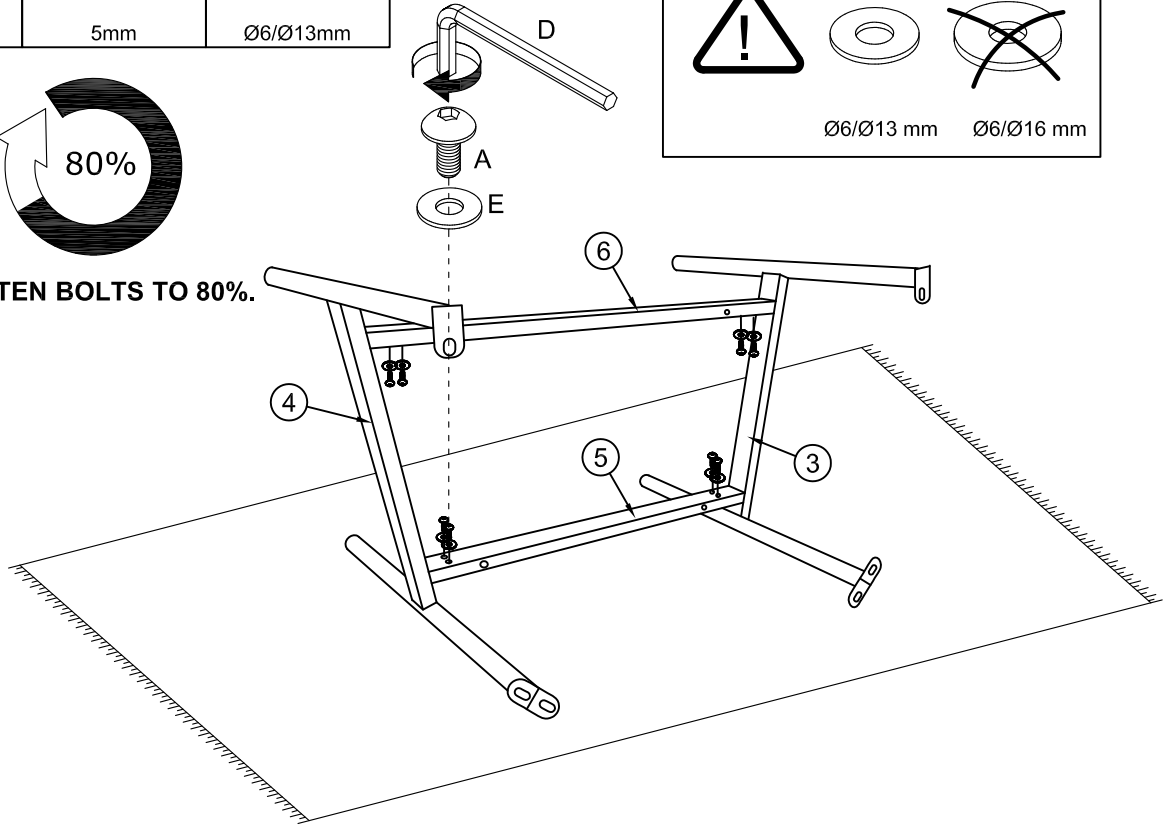
1

Ax8  M6x12mm	Dx1  5mm	Ex8  Ø6/Ø13mm
---	---	--

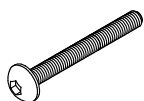
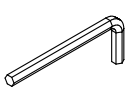
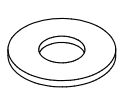
	E  Ø6/Ø13 mm	F  Ø6/Ø16 mm
--	---	---


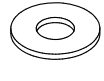



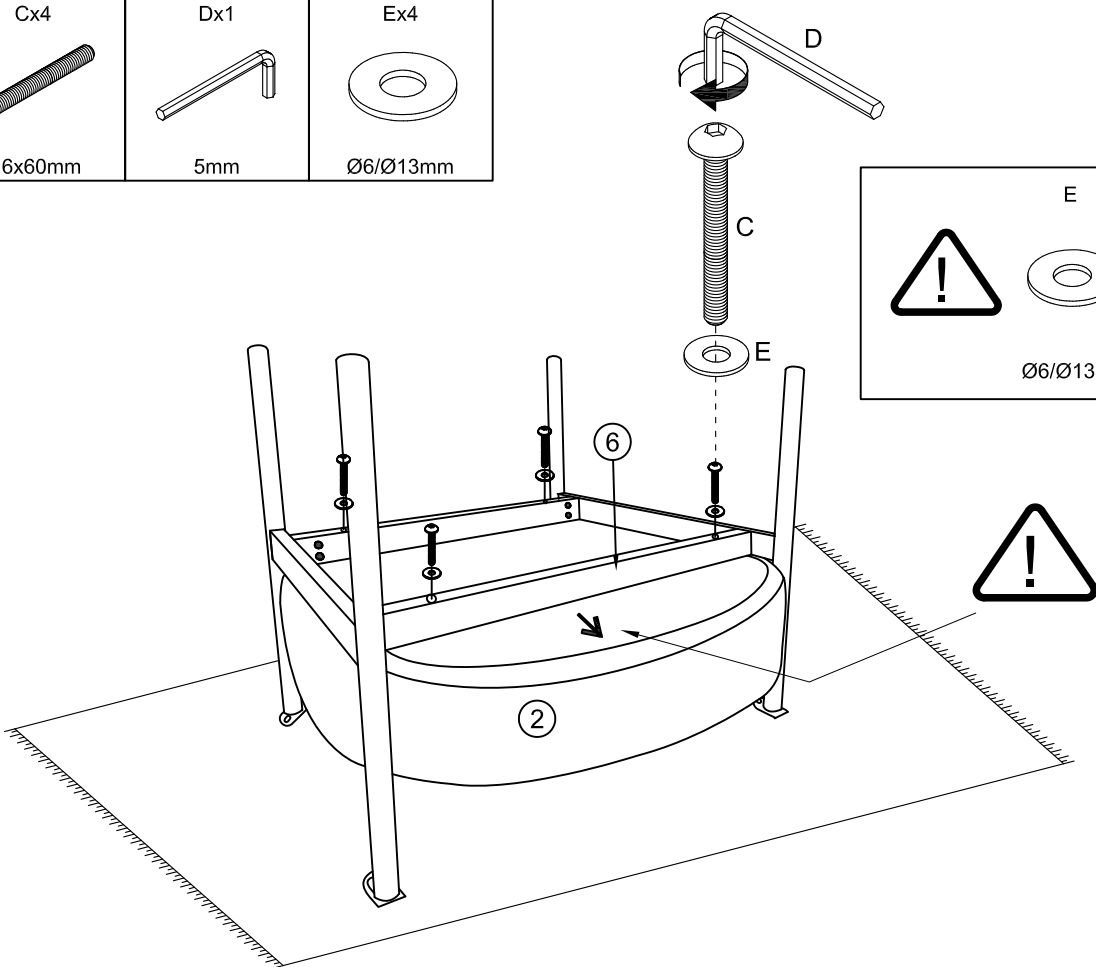
TIGHTEN BOLTS TO 80%.



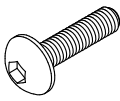
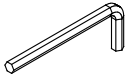
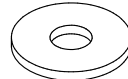
2

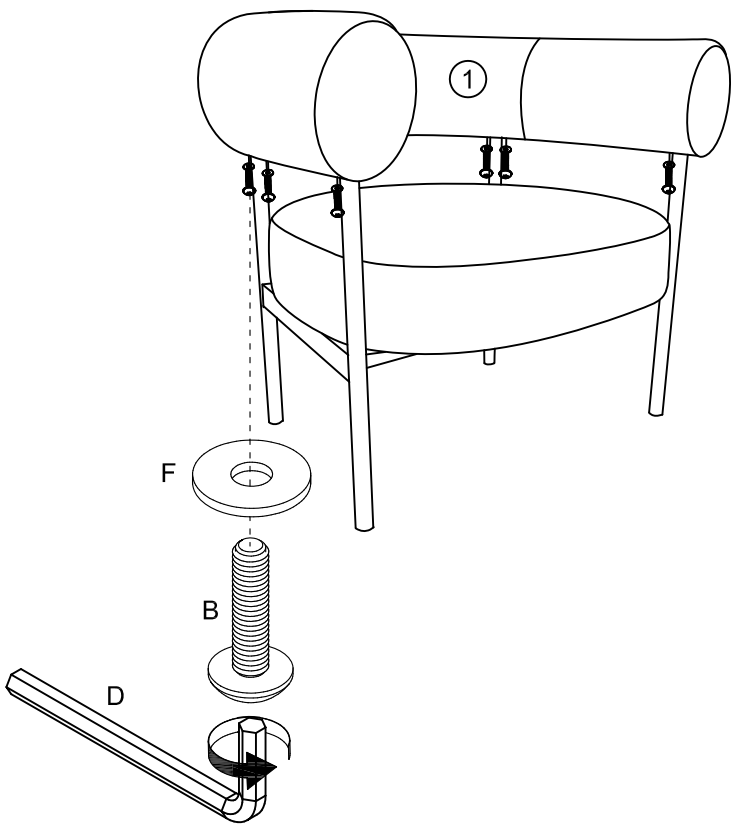
Cx4  M6x60mm	Dx1  5mm	Ex4  Ø6/Ø13mm
--	---	--

	E  Ø6/Ø13 mm	F  Ø6/Ø16 mm
---	---	---

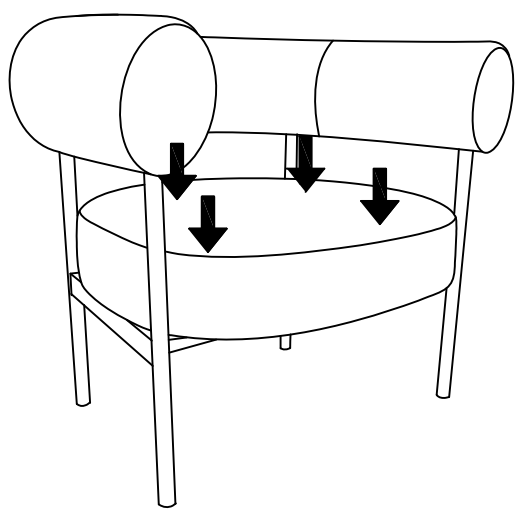
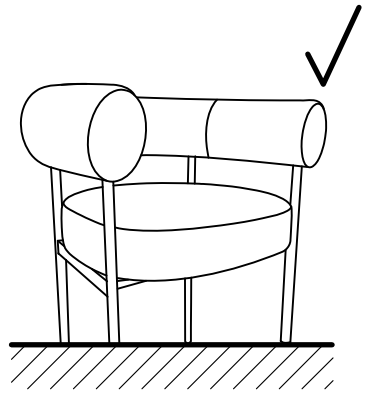
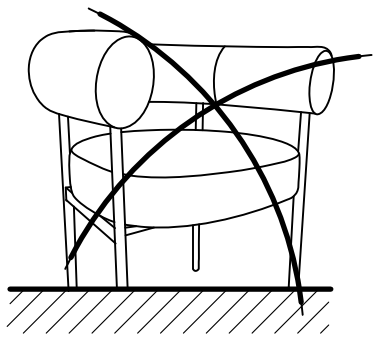


3

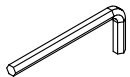
Bx6  M6x25mm	Dx1  5mm	Fx6  Ø6/Ø16mm
---	---	--



4

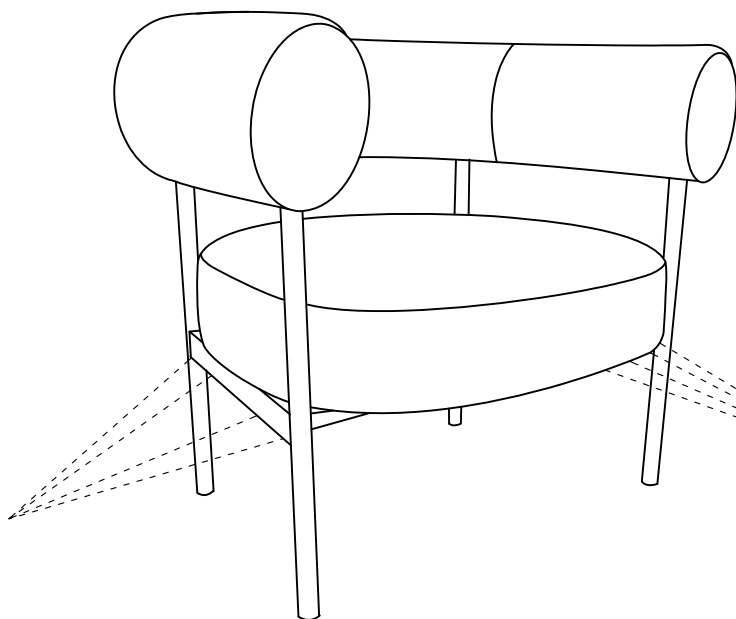


Dx1

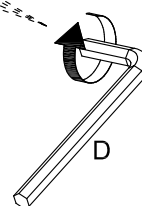


5mm

5



NOW TIGHTEN BOLTS TO 100%



6

