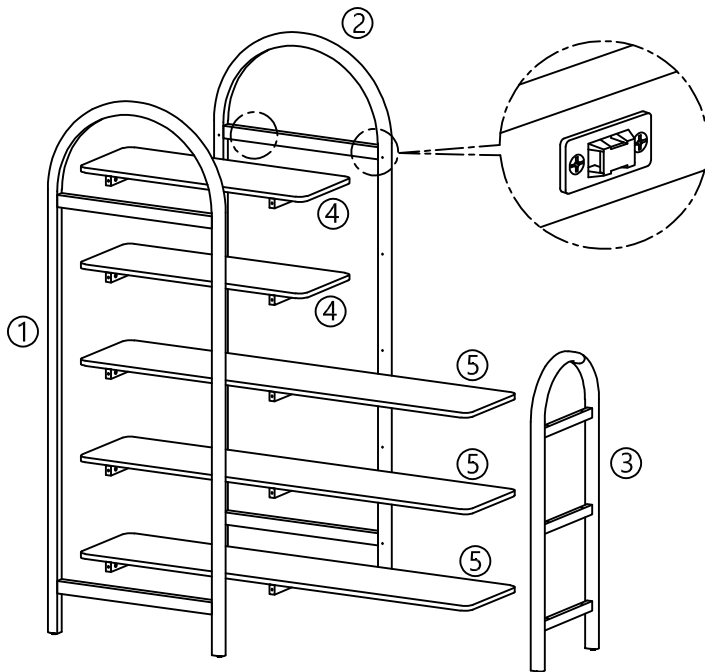


ASSEMBLY INSTRUCTIONS LUNAR BOOKSHELF 5 TIER

Please read instructions carefully. Remove all wrapping material, staples and packing straps from the carton. See hardware and furniture parts list for guidance. Be sure you have all parts before you start assembling. Place all wooden furniture parts on a clean, flat, soft surface; such as a carpet or rug to prevent the item from being scratched from being scratched.

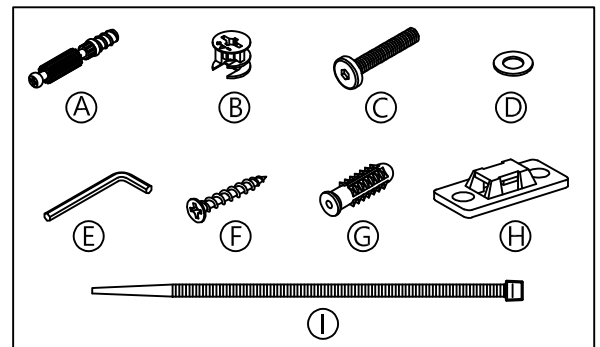
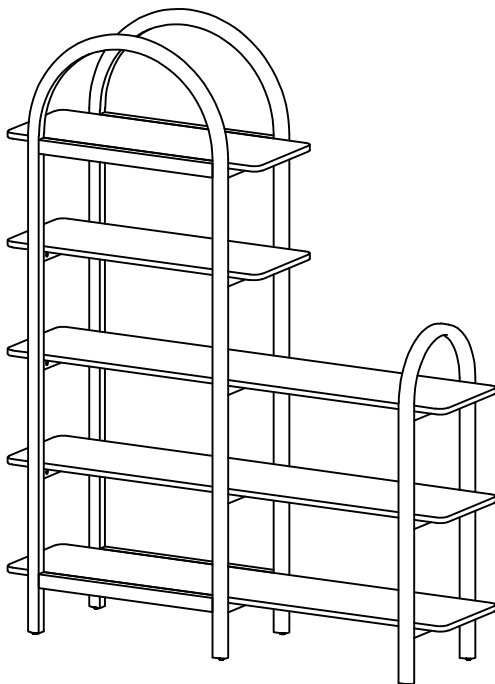


PARTS INCLUDED

1. Front frame	: 1pc
2. Back frame	: 1pc
3. Side frame	: 1pc
4. Short shelf panel	: 2pcs
5. Long shelf panel	: 3pcs

HARDWARE LIST

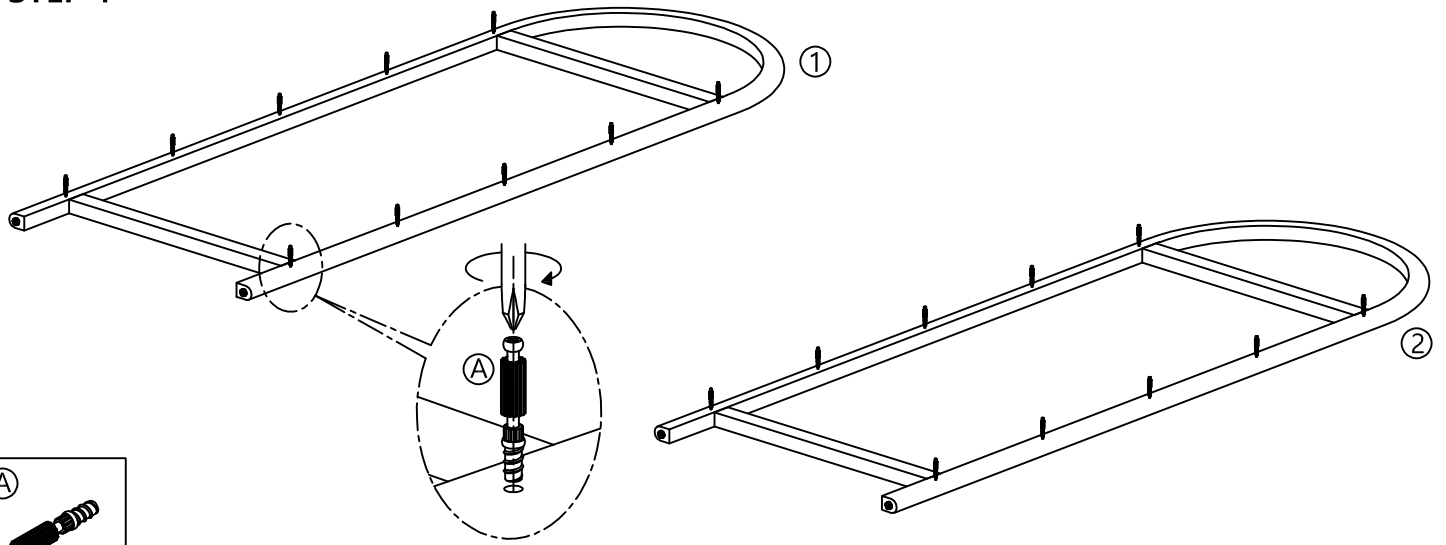
A. Cam bolt	: 20pcs
B. Cam lock	: 20pcs
C. Bolt	: 6pcs
D. Washer	: 6pcs
E. Allen key	: 1pc
F. Screw	: 4pcs
G. Rawl plug	: 4pcs
H. Plastic bracket	: 2pcs
I. Plastic strap	: 2pcs



ASSEMBLY INSTRUCTIONS LUNAR BOOKSHELF 5 TIER

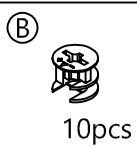
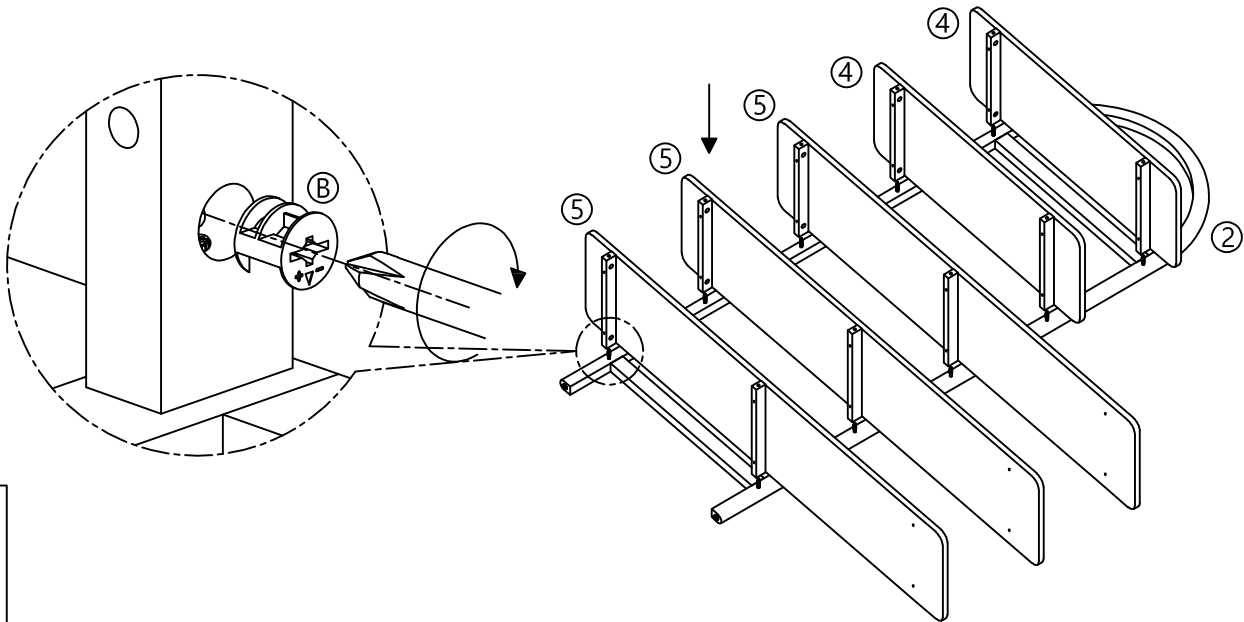
adairs

STEP 1

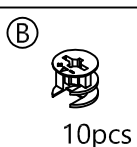
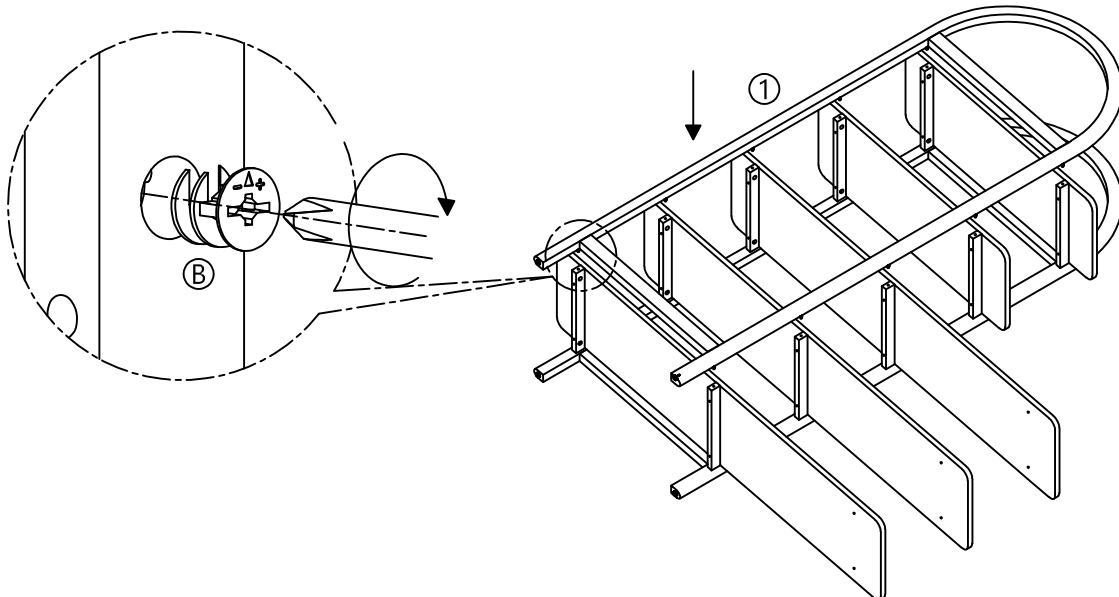


WARNING: THIS ITEM IS VERY HEAVY, TWO PEOPLE ARE REQUIRED TO PLACE THE PRODUCT ON ITS SIDE

STEP 2



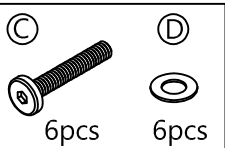
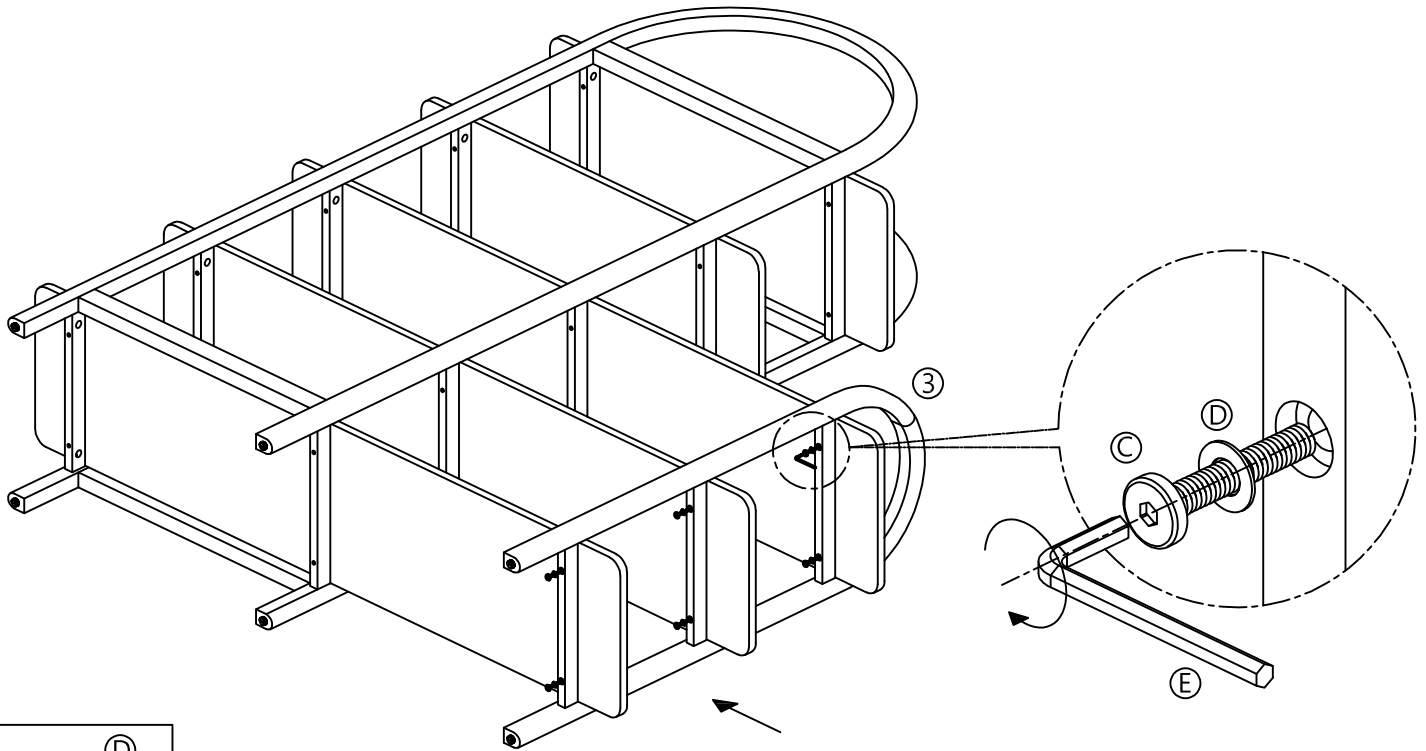
STEP 3



ASSEMBLY INSTRUCTIONS LUNAR BOOKSHELF 5 TIER

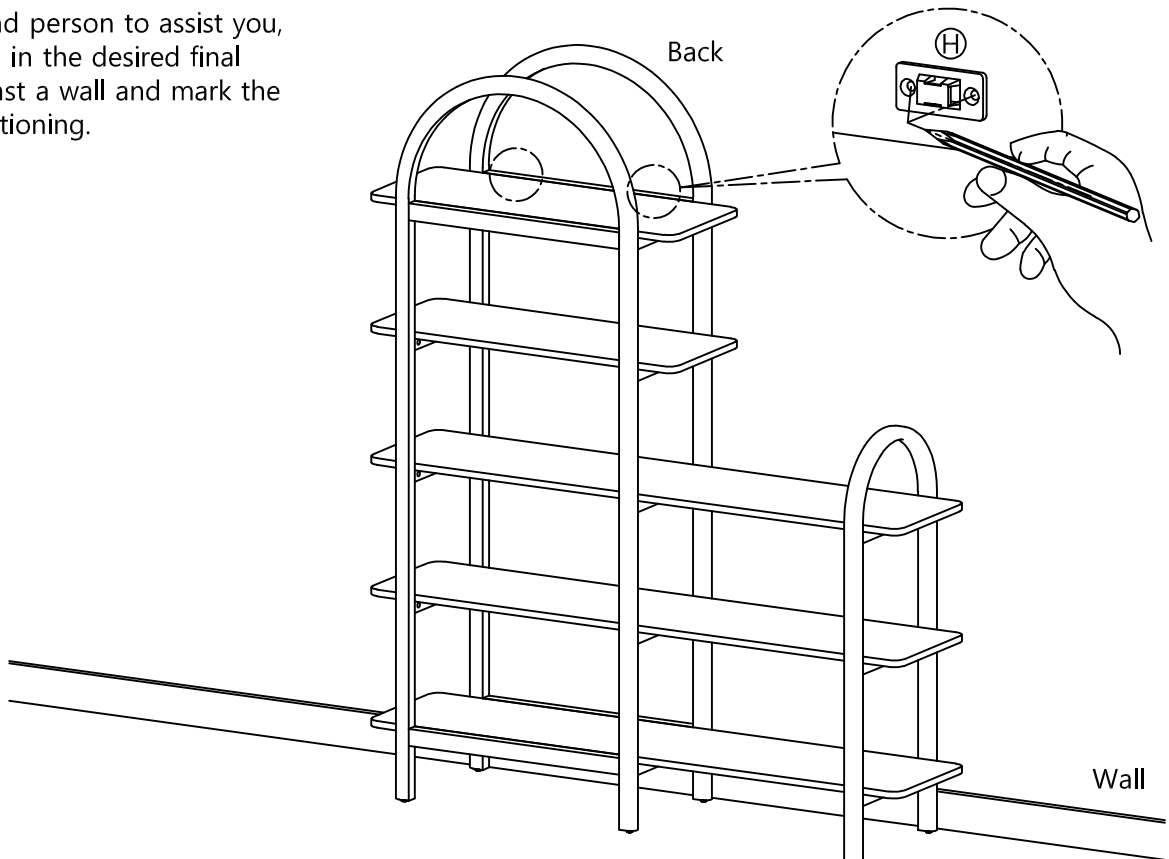
adairs

STEP 4



STEP 5

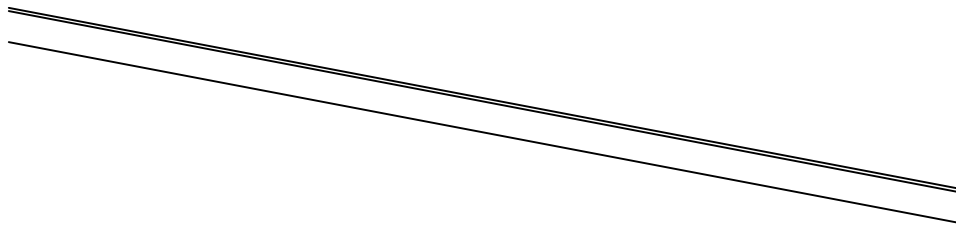
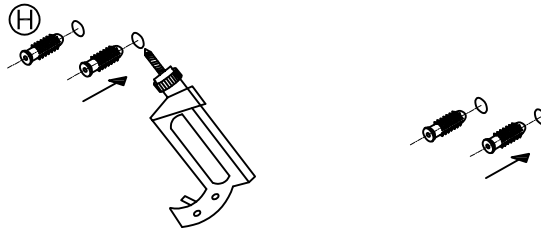
Using a second person to assist you, place the unit in the desired final location against a wall and mark the drill hole positioning.



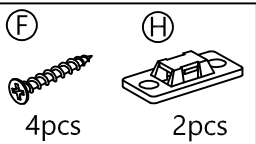
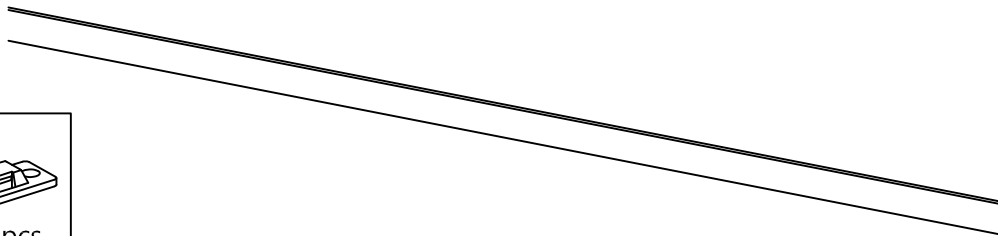
ASSEMBLY INSTRUCTIONS LUNAR BOOKSHELF 5 TIER

adairs

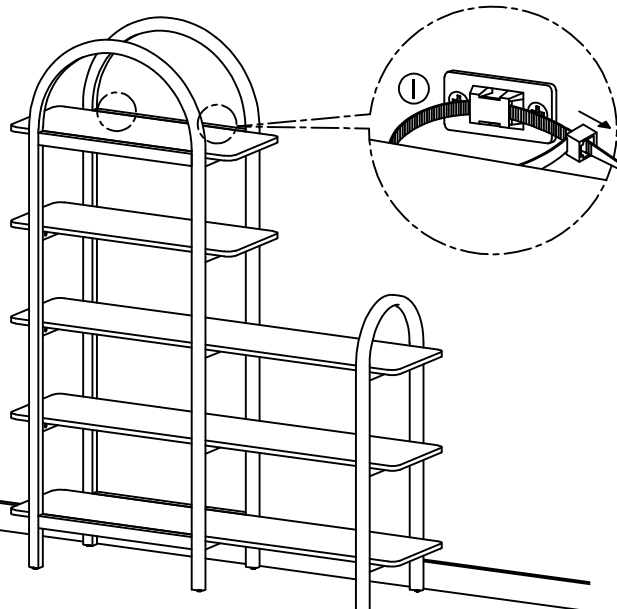
STEP 6



STEP 7



STEP 8



⚠ WARNING	
	<p>Children have died from furniture toppling over.</p> <ul style="list-style-type: none">• ALWAYS secure this furniture with an anchor device.• NEVER allow children to stand, climb or hang on drawers, doors, or shelves.• NEVER open more than one drawer at a time.• Place heavy items down low.• NEVER place a television on this furniture.

CAUTION:

For your safety when attaching the anchor fixings, please note the following:

- Check for any electrical wires or plumbing inside the wall before drilling any holes (if you are unsure please seek professional advice from a qualified tradesperson)
- Walls are constructed from different materials, for example, masonry (solid brick) or plasterboard lined cavity walls (hollow). It is important that you use the appropriate wall fixings for your wall type.
- Your local hardware store will have the necessary drills and fixings and can offer advice if needed. If in doubt, engage the services of a qualified tradesperson to install and anchor the product.