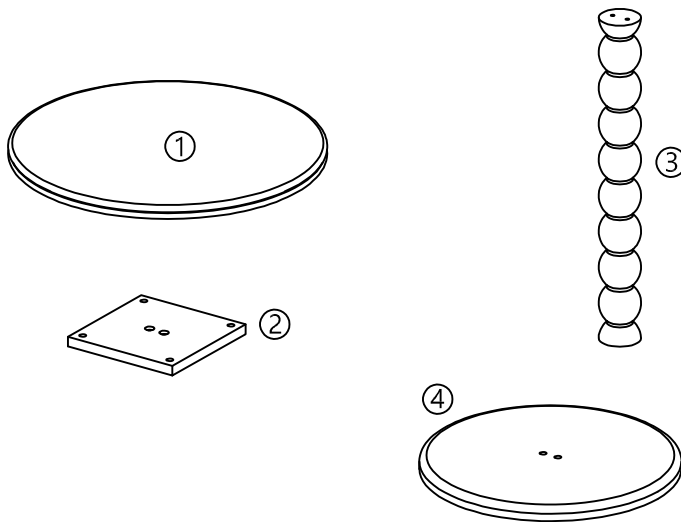


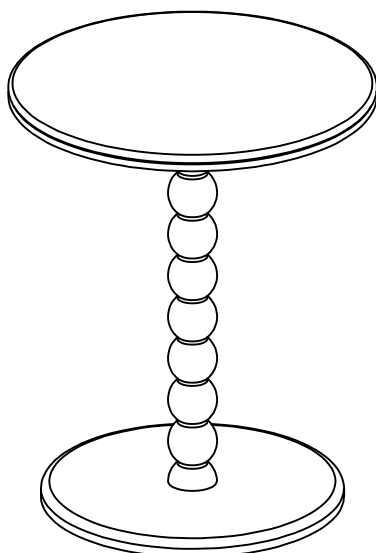
## ASSEMBLY INSTRUCTIONS MARGATE SIDE TABLE IVORY

Please read instructions carefully. Remove all wrapping material, staples and packing straps from the carton. See hardware and furniture parts list for guidance. Be sure you have all parts before you start assembling. Place all wooden furniture parts on a clean flat soft surface, such as carpet or rug to prevent from being scratched.



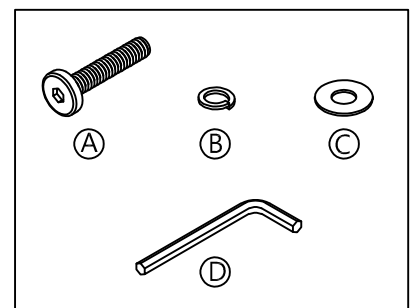
### PARTS INCLUDED

1. Top panel	: 1pc
2. Support base	: 1pc
3. Pillar	: 1pc
4. Bottom panel	: 1pc



### HARDWARE LIST

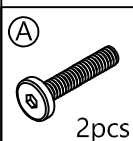
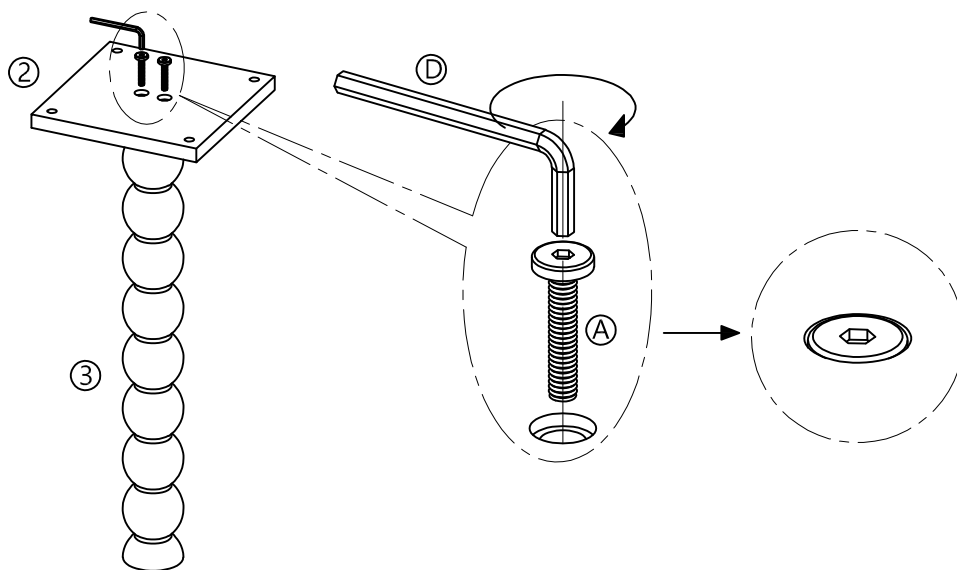
A. Bolt	: 8pcs
B. Spring Washer	: 4pcs
C. Flat Washer	: 4pcs
D. Allen Key	: 1pc



# ASSEMBLY INSTRUCTIONS MARGATE SIDE TABLE IVORY

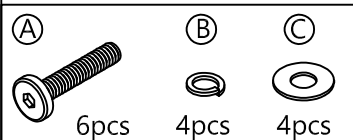
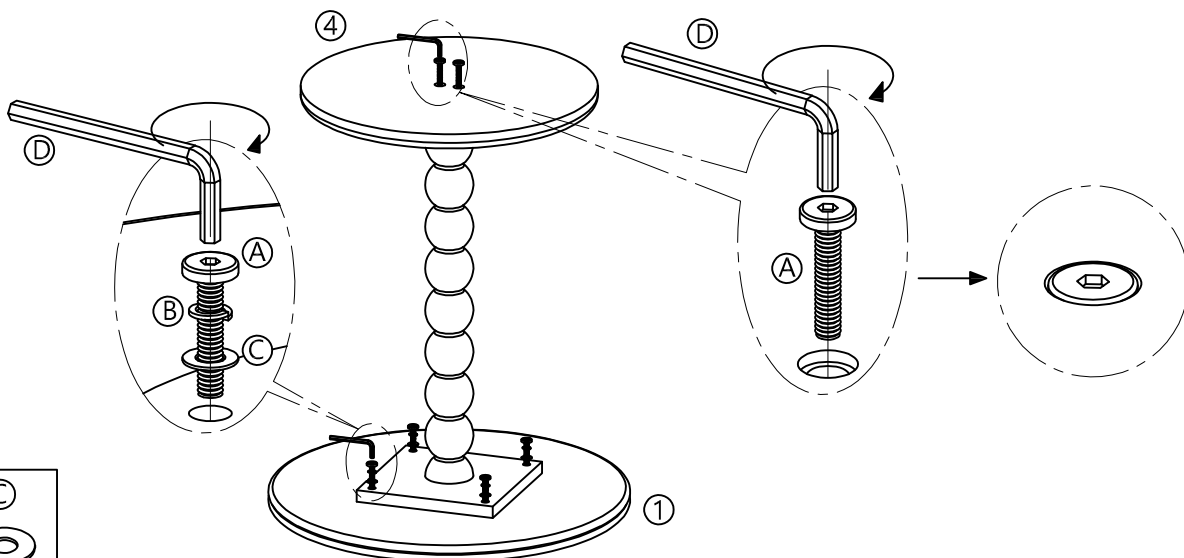
# adairs

## STEP 1

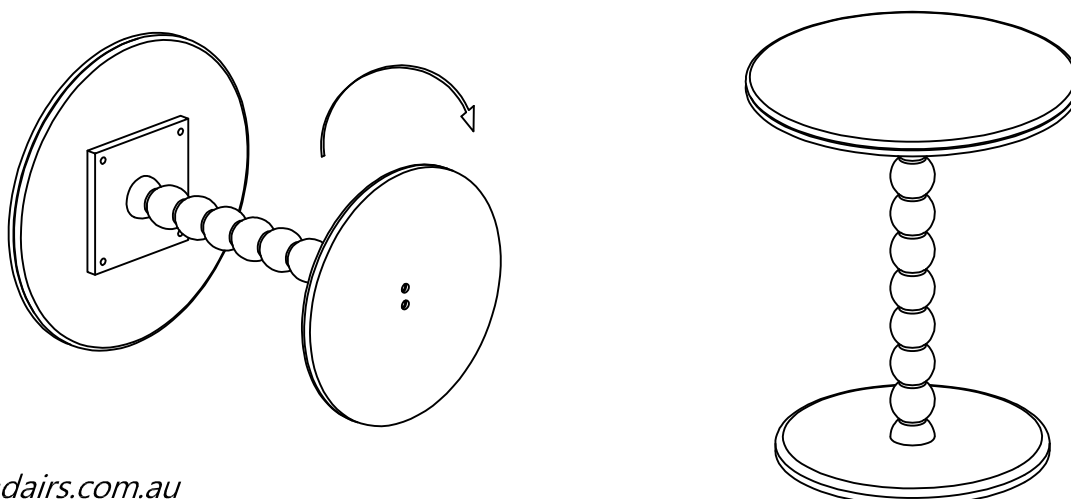


## STEP 2

TAKE CARE AND PLACE THE TOP ON A SOFT, CLEAN SURFACE - SUCH AS A RUG - TO AVOID SCRATCHING THE FINISH



## STEP 3



[www.adairs.com.au](http://www.adairs.com.au)  
[www.adairs.co.nz](http://www.adairs.co.nz)