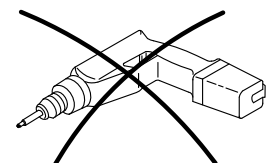
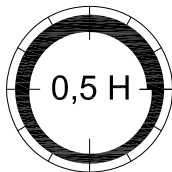
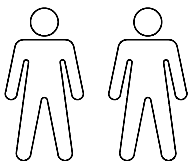
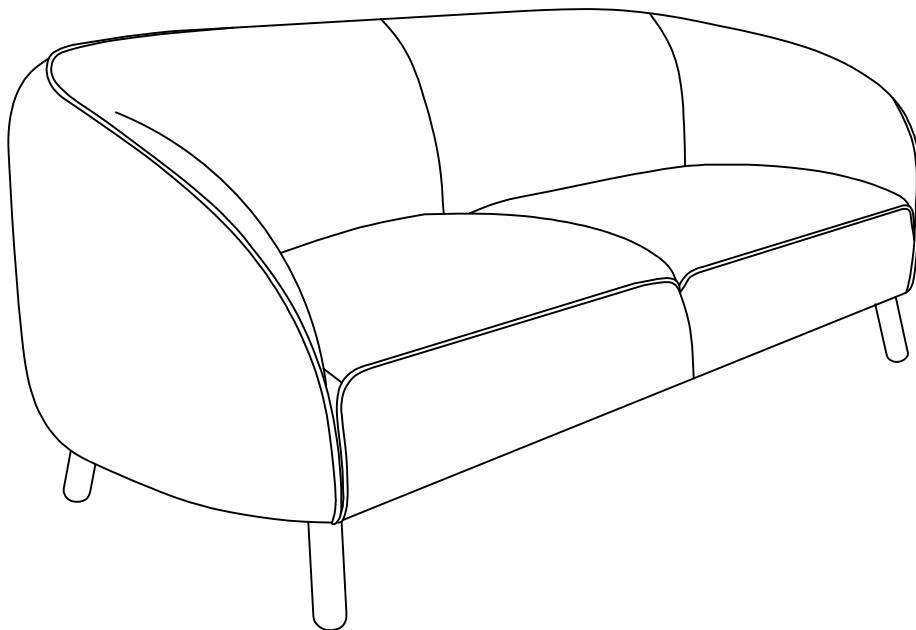


ASSEMBLY INSTRUCTIONS

JULIETTE 2.5-SEATER

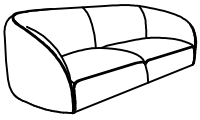
Please read instructions carefully. Remove all wrapping material and packing from the carton. See hardware and furniture parts list for guidance. Be sure you have all parts before you start to assemble the product. Place all furniture parts on a clean surface, such as carpet or rug to prevent the item from being scratched.



Part list:

1 x Part 1

4 x Part L



Seat

Leg

Hardware list:

Ax8

Bx8

Cx8

Dx4

Ex1



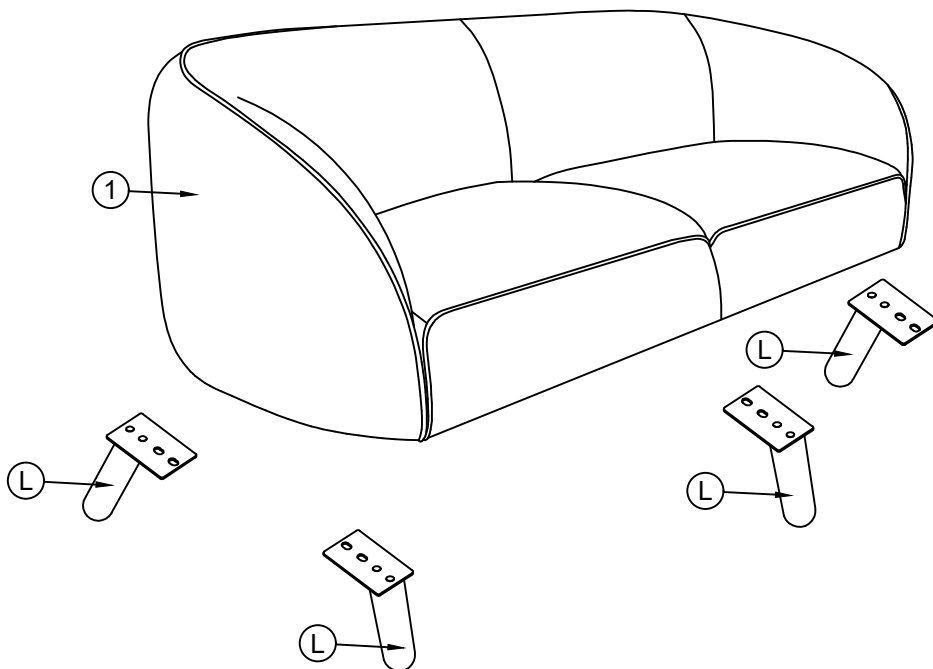
Bolt
M8x38

Spring washer
Ø9/Ø13

Washer
Ø9/Ø25

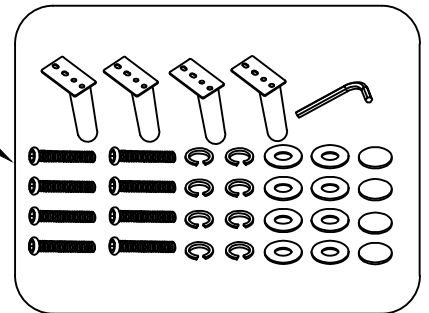
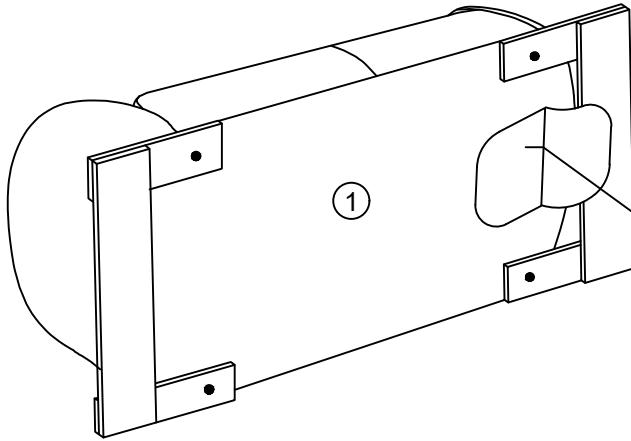
Felt
Ø20x2

Allen key
5mm



TIMBER BASE SUPPORT PLATES ARE FITTED FOR PROTECTION IN TRANSIT ONLY
PLEASE REMOVE AND DISPOSE OF THESE

1

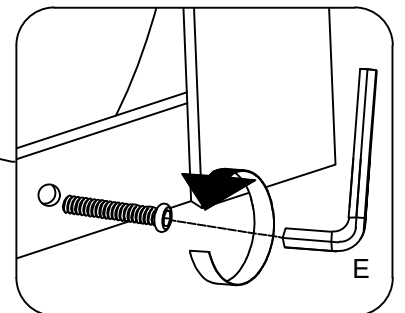
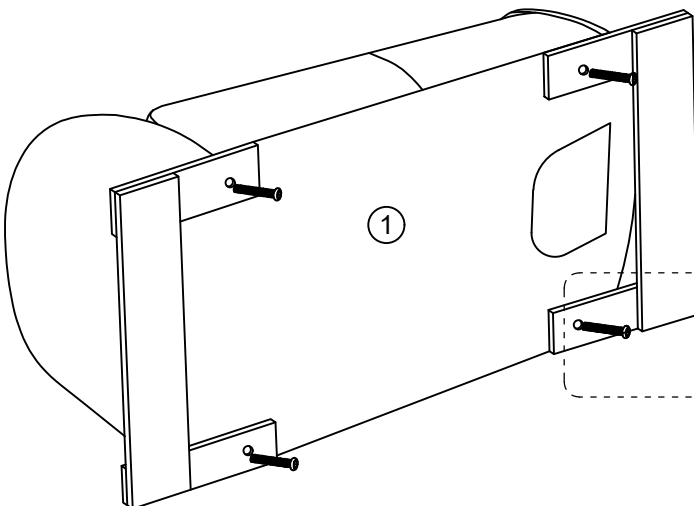


Ex1








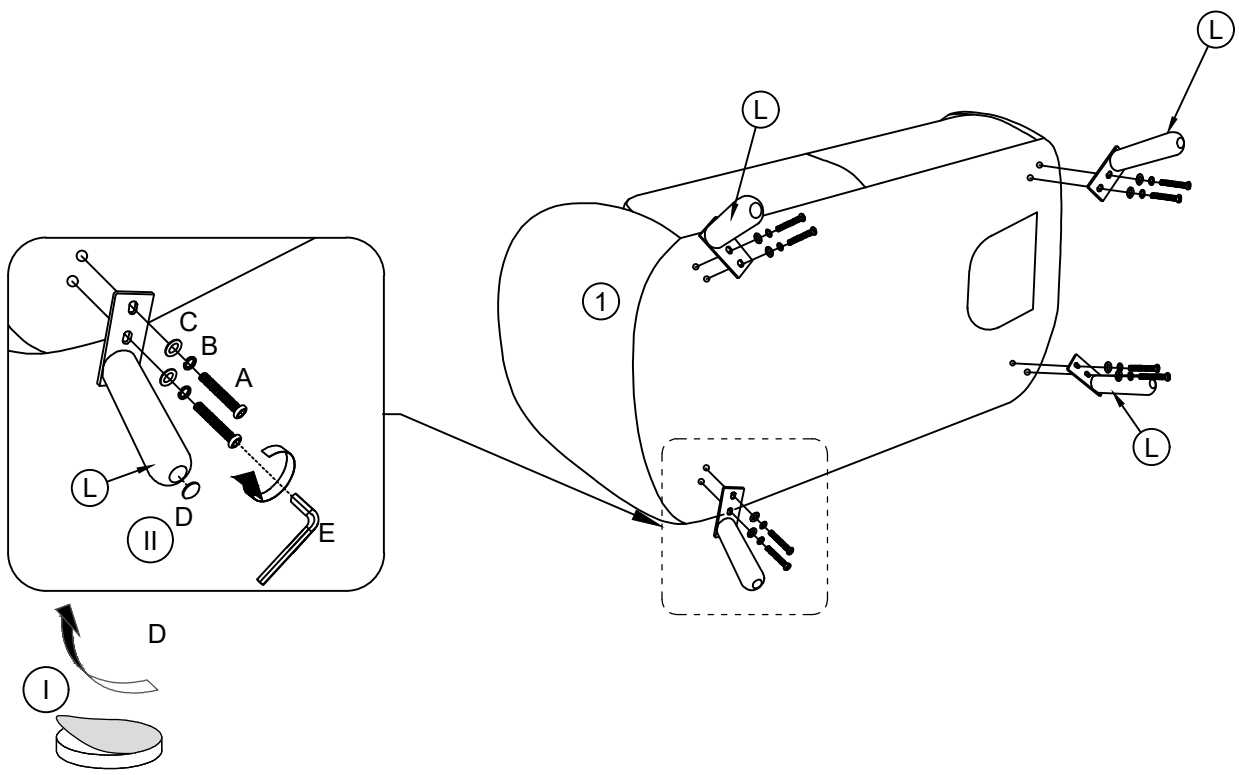
5mm

2



3

Ax8  M8x38	Bx8  Ø9/Ø13	Cx8  Ø9/Ø25	Dx4  Ø20x2	Ex1  5mm
---	--	--	---	---



4

