

ASSEMBLY INSTRUCTIONS SALVADOR NESTING COFFEE TABLE

Please read instructions carefully. Remove all wrapping material, staples and packing straps from the carton. See hardware and furniture parts list for guidance. Be sure you have all parts before you start assembling. Place all wooden furniture parts on a clean, flat, soft surface; such as a carpet or rug to prevent the item from being scratched.

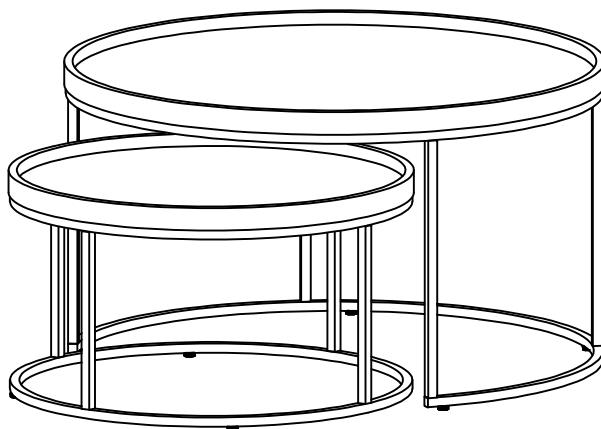
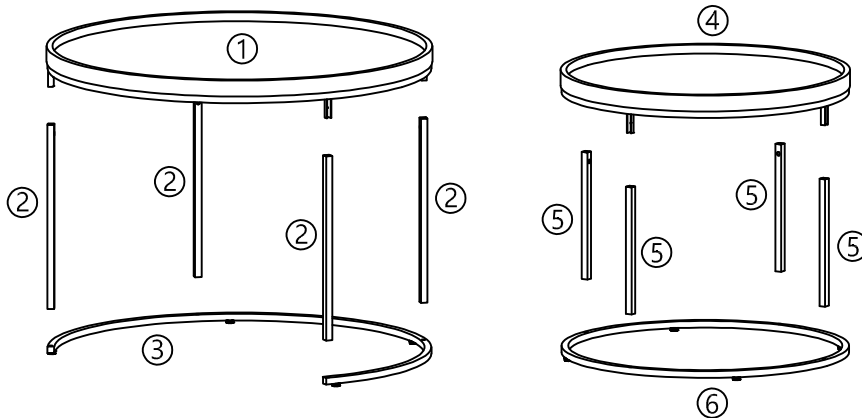
PARTS INCLUDED

Large Table

- 1. Top : 1pc
- 2. Leg : 4pcs
- 3. Bottom Frame : 1pc

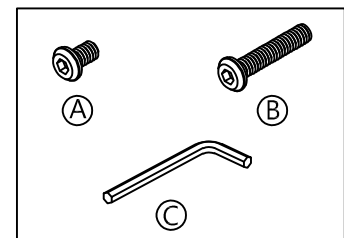
Small Table

- 4. Top : 1pc
- 5. Leg : 4pcs
- 6. Bottom Frame : 1pc



HARDWARE LIST

- A. Short bolt : 8pcs
- B. Long bolt : 8pcs
- C. Allen key : 1pc

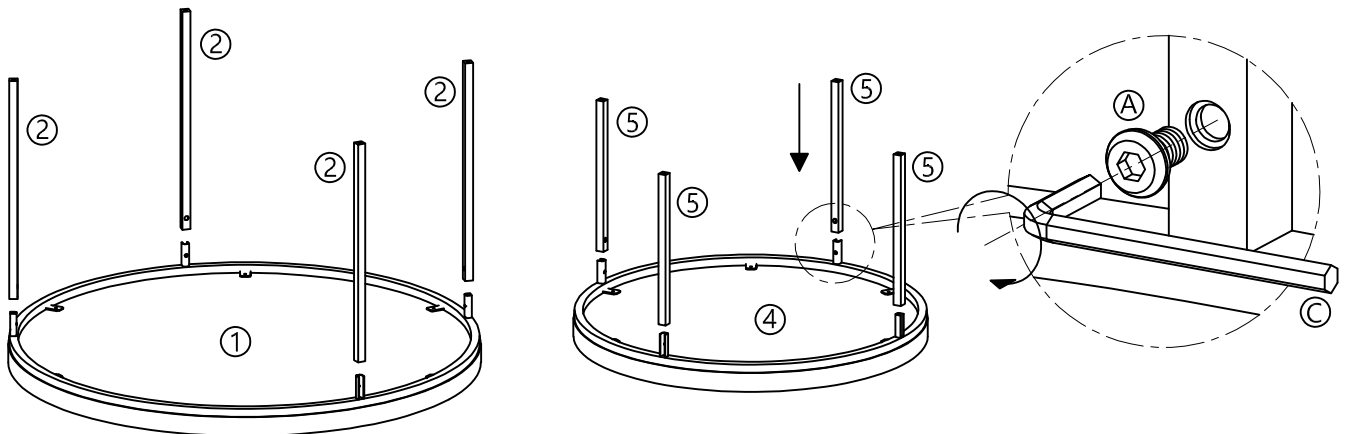


ASSEMBLY INSTRUCTIONS

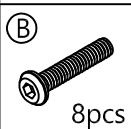
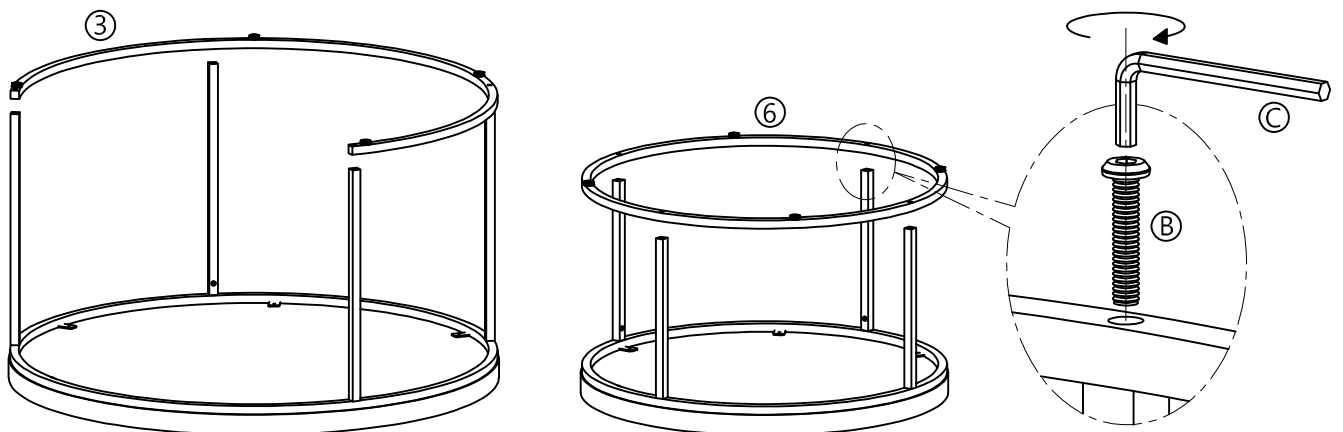
SALVADOR NESTING COFFEE TABLE

adairs

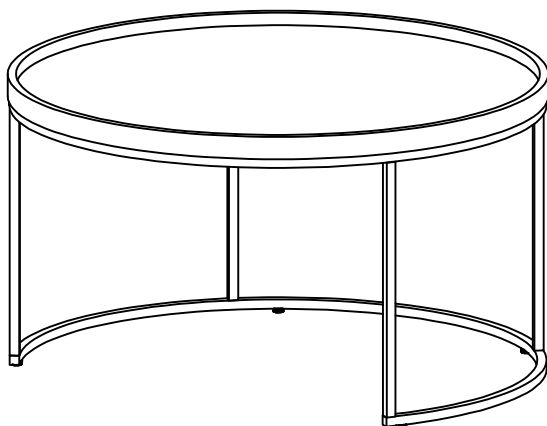
STEP 1



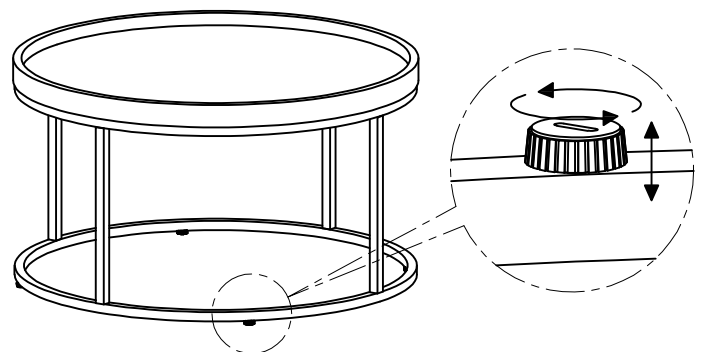
STEP 2



STEP 3



Please note stoppers on base of feet can be tightened or loosened for placement on uneven surfaces.



www.adairs.com.au
www.adairs.co.nz