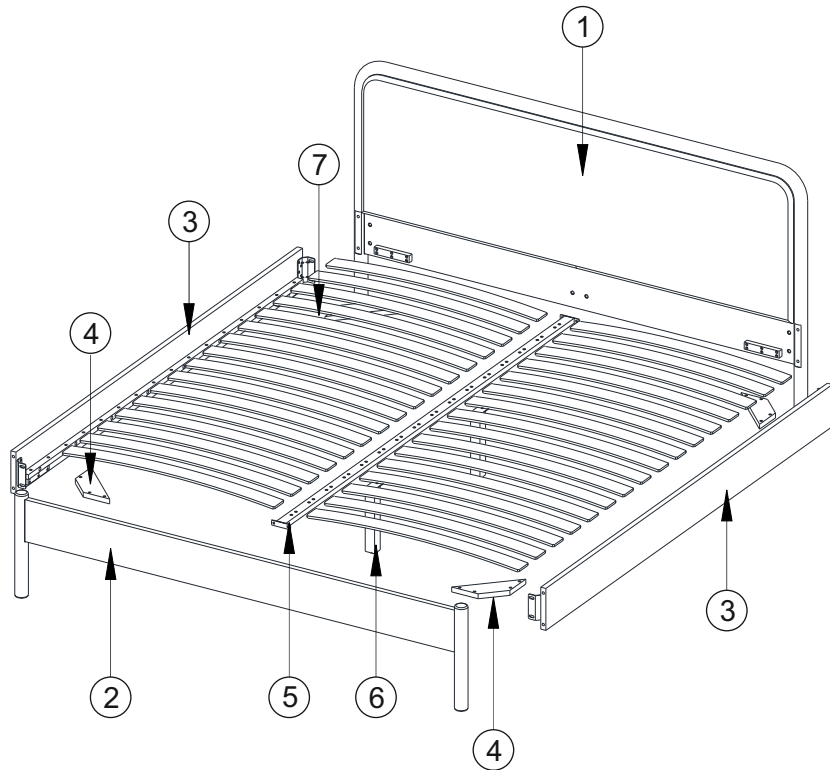


ASSEMBLY INSTRUCTIONS

MACKAY KING FULL BED

Please read instructions carefully. Remove all wrapping material, staples and packing straps from the carton. See Hardware and Furniture Parts List for guidance. Be sure you have all parts before you start assembling. Place all wooden furniture parts on a clean and flat soft surface, such as a carpet or rug to prevent the item from being scratched.

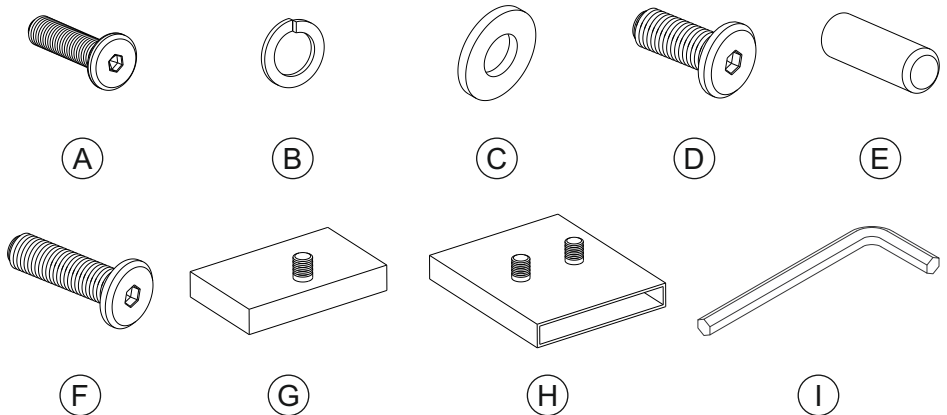


PARTS INCLUDED

1. HEADBOARD	: 1pc
2. FOOTBOARD	: 1pc
3. SIDERAILS	: 2pcs
4. WOOD BLOCK	: 4pcs
5. MIDDLE SUPPORT	: 1pc
6. CENTER LEG	: 2pcs
7. SLAT	: 32pcs

HARDWARE LIST

A. BOLT M6x15	: 4pcs
B. SPRING WASHER Ø12 x H1.5	: 12pcs
C. PLAIN WASHER Ø19 x H1.5	: 12pcs
D. BOLT M8x20	: 12pcs
E. WOOD DOWEL Ø10x30	: 8pcs
F. BOLT M8x35	: 16pcs
G. PLASTIC CAPS	: 32pcs
H. PLASTIC CAPS MIDDLE	: 16pcs
I. ALLEN KEY	: 2pcs



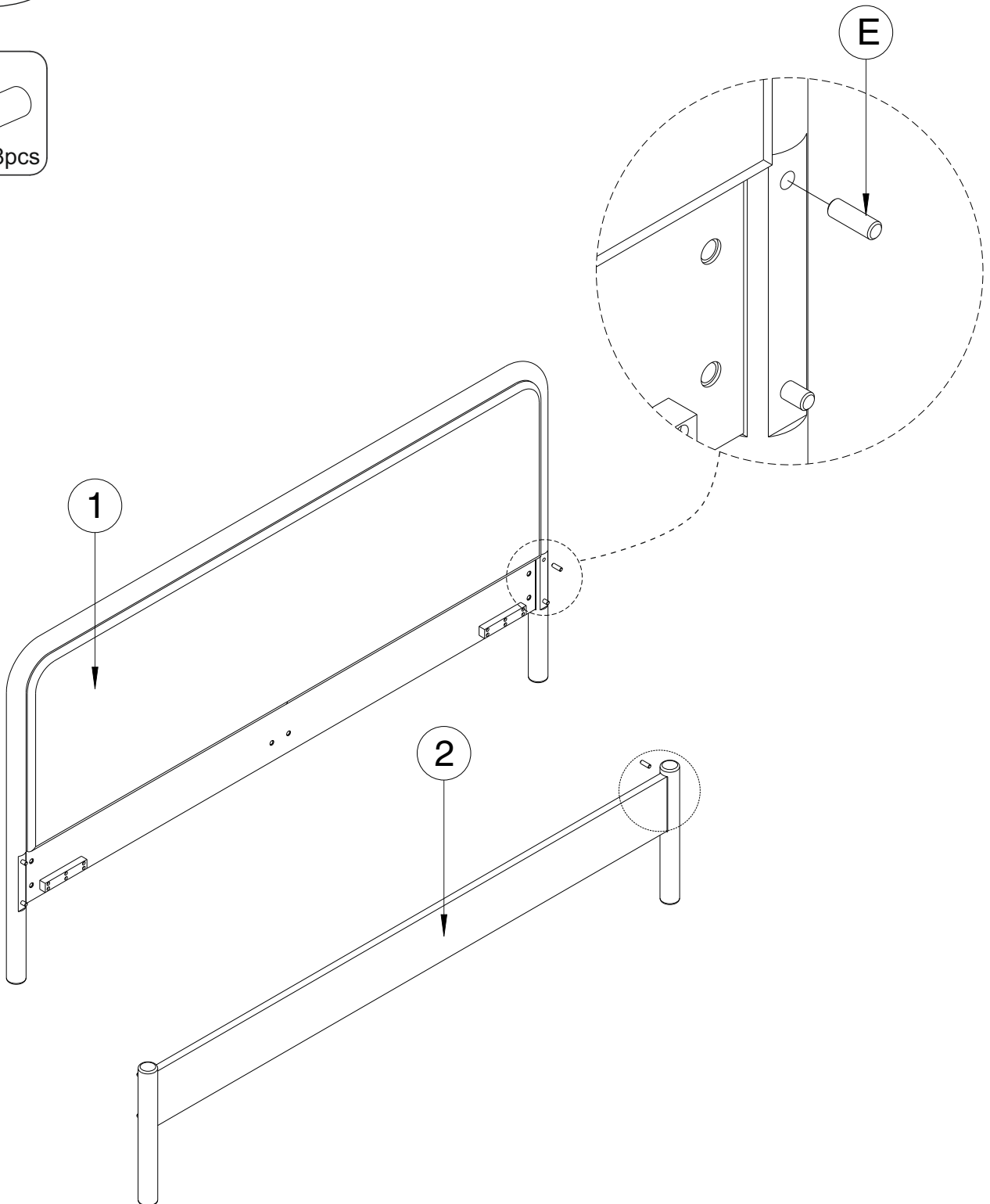
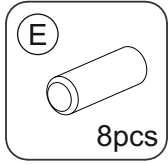
FOR ASSEMBLY

- First, check the contents to make sure that nothing is missing.
- Sort out the parts and fittings as shown, assemble product step by step.
- It is preferable to rest the product on a soft surface to avoid damage during assembly.
- Do not overtighten screws and fittings.
- Re-tighten all screws and fittings periodically.

ASSEMBLY INSTRUCTIONS

MACKAY KING FULL BED

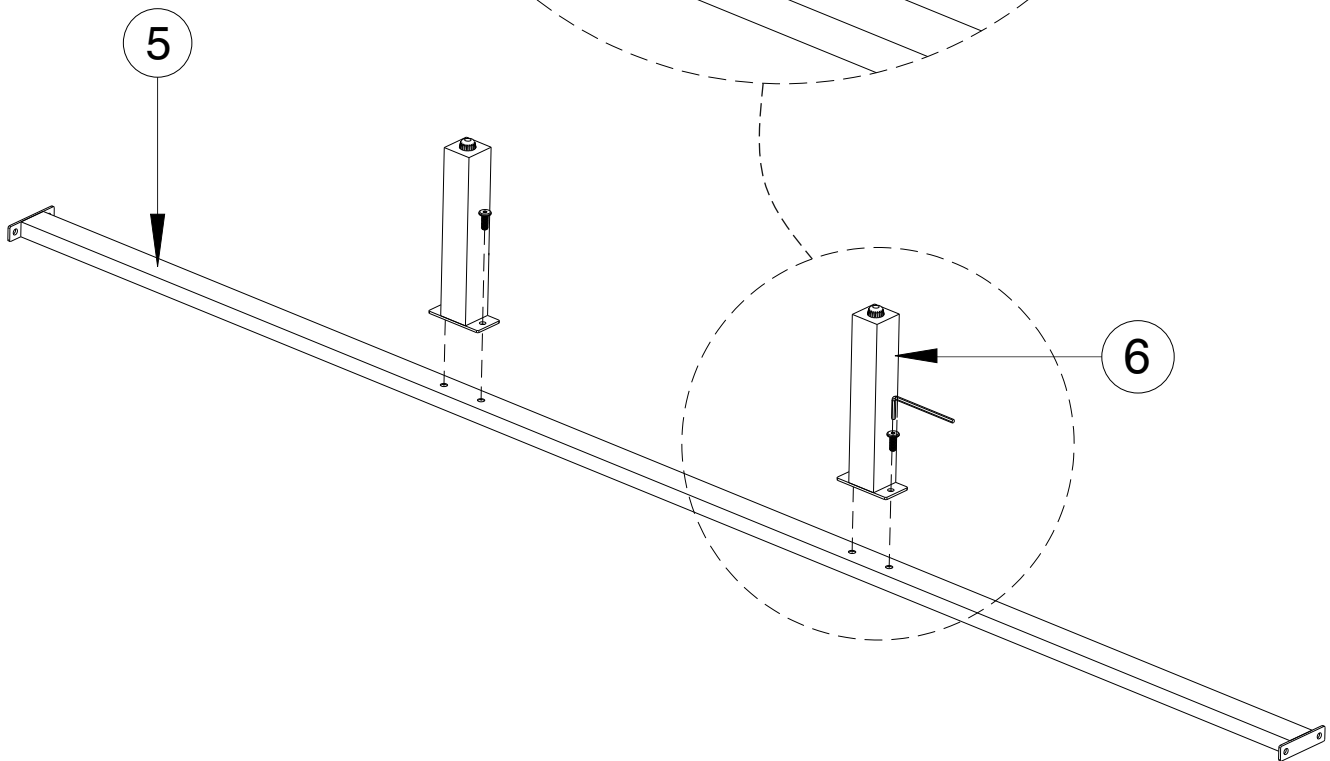
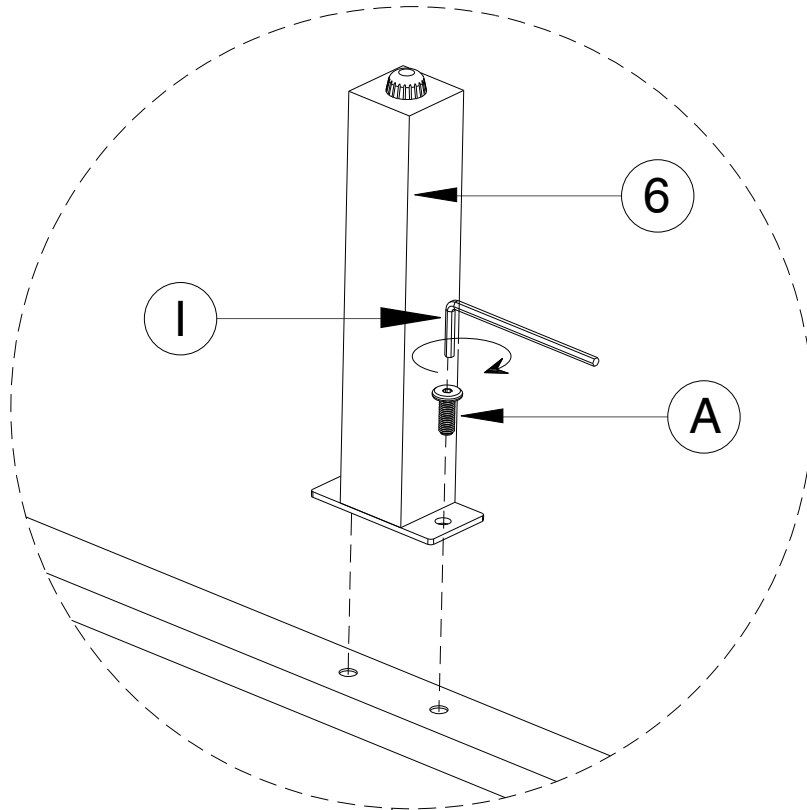
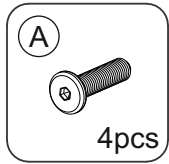
STEP 1



ASSEMBLY INSTRUCTIONS

MACKAY KING FULL BED

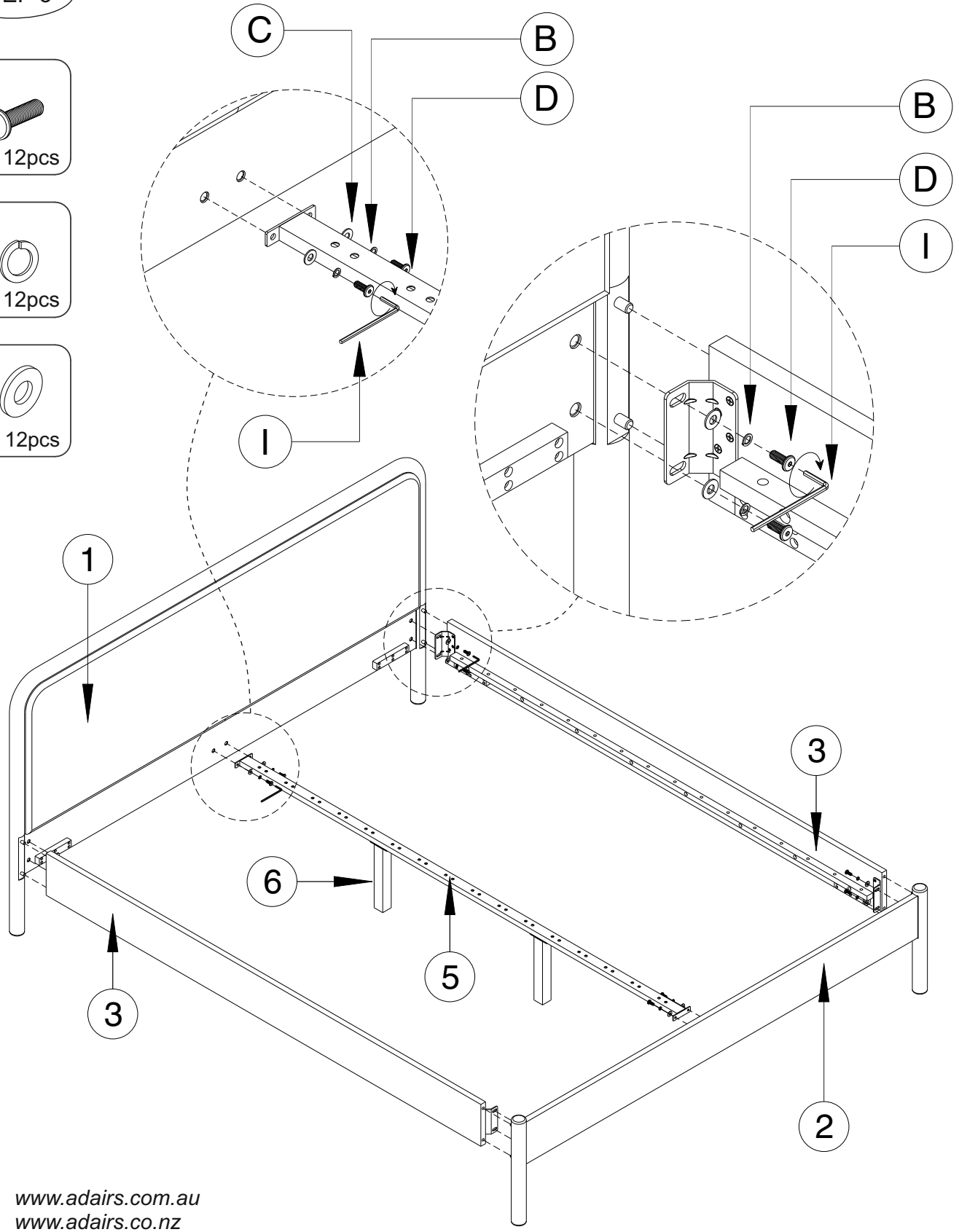
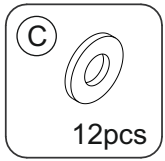
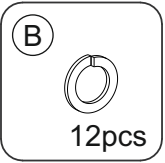
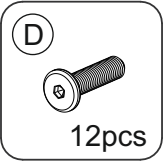
STEP 2



ASSEMBLY INSTRUCTIONS

MACKAY KING FULL BED

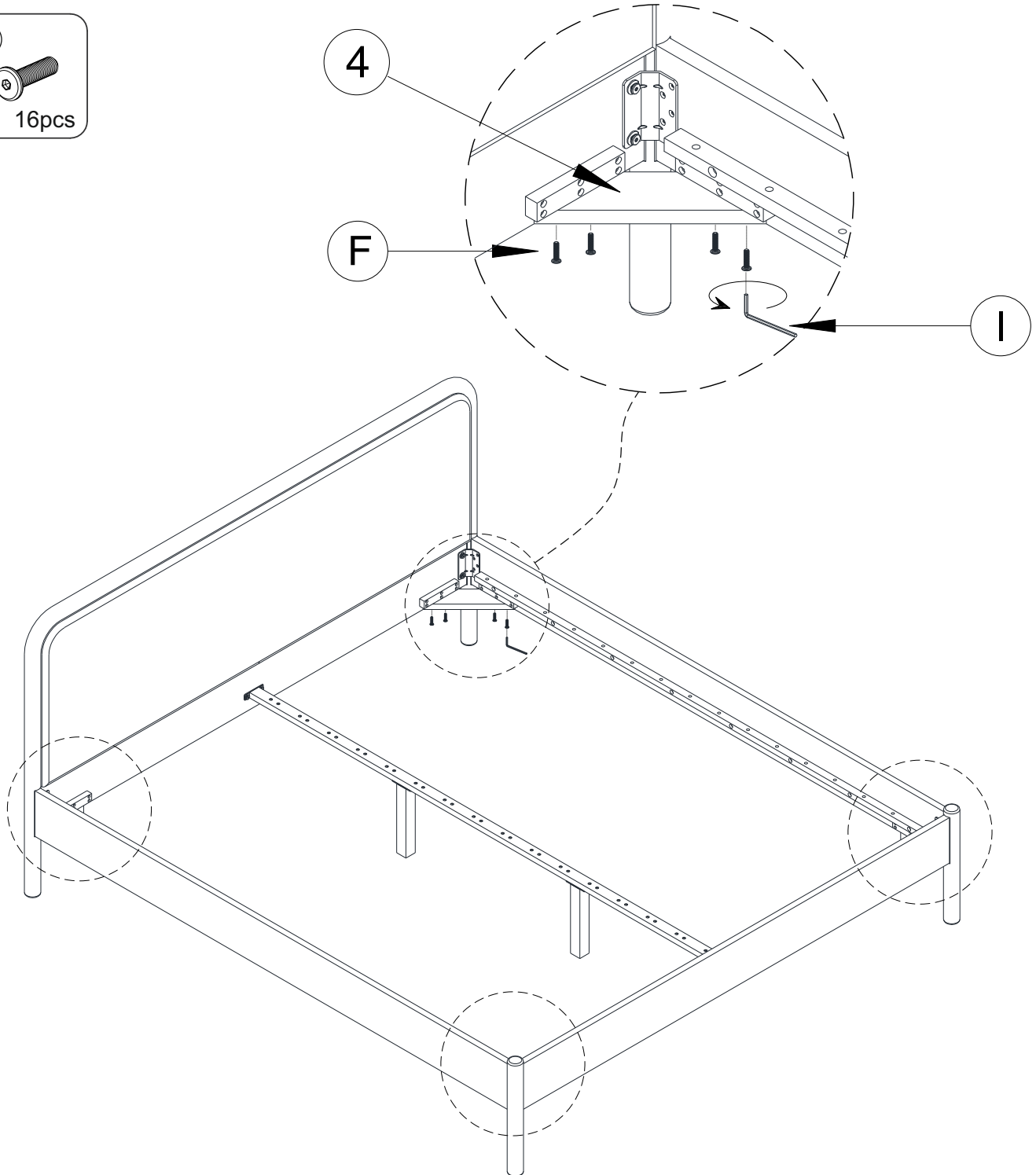
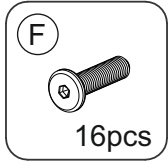
STEP 3



ASSEMBLY INSTRUCTIONS

MACKAY KING FULL BED

STEP 4

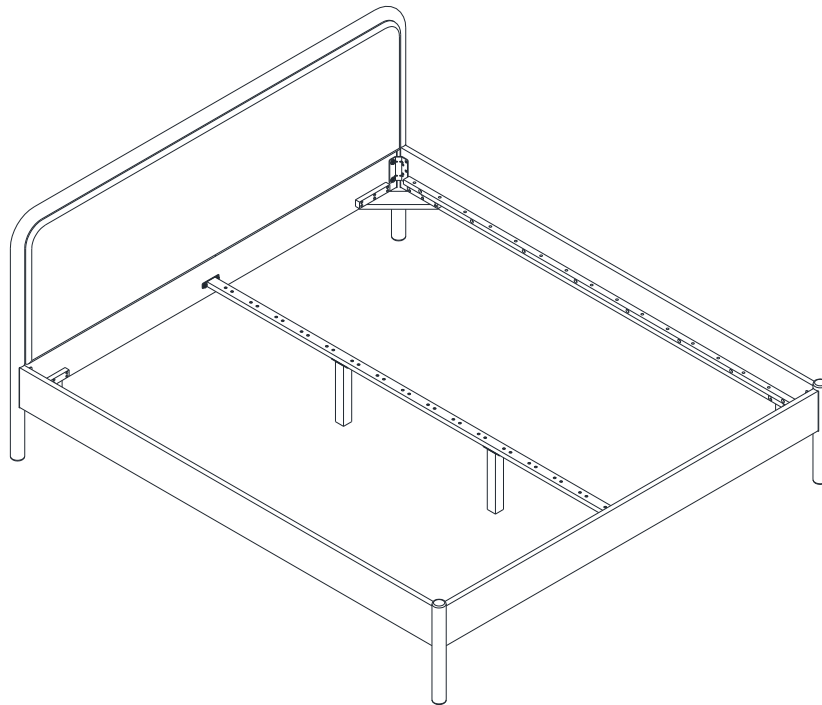


ASSEMBLY INSTRUCTIONS

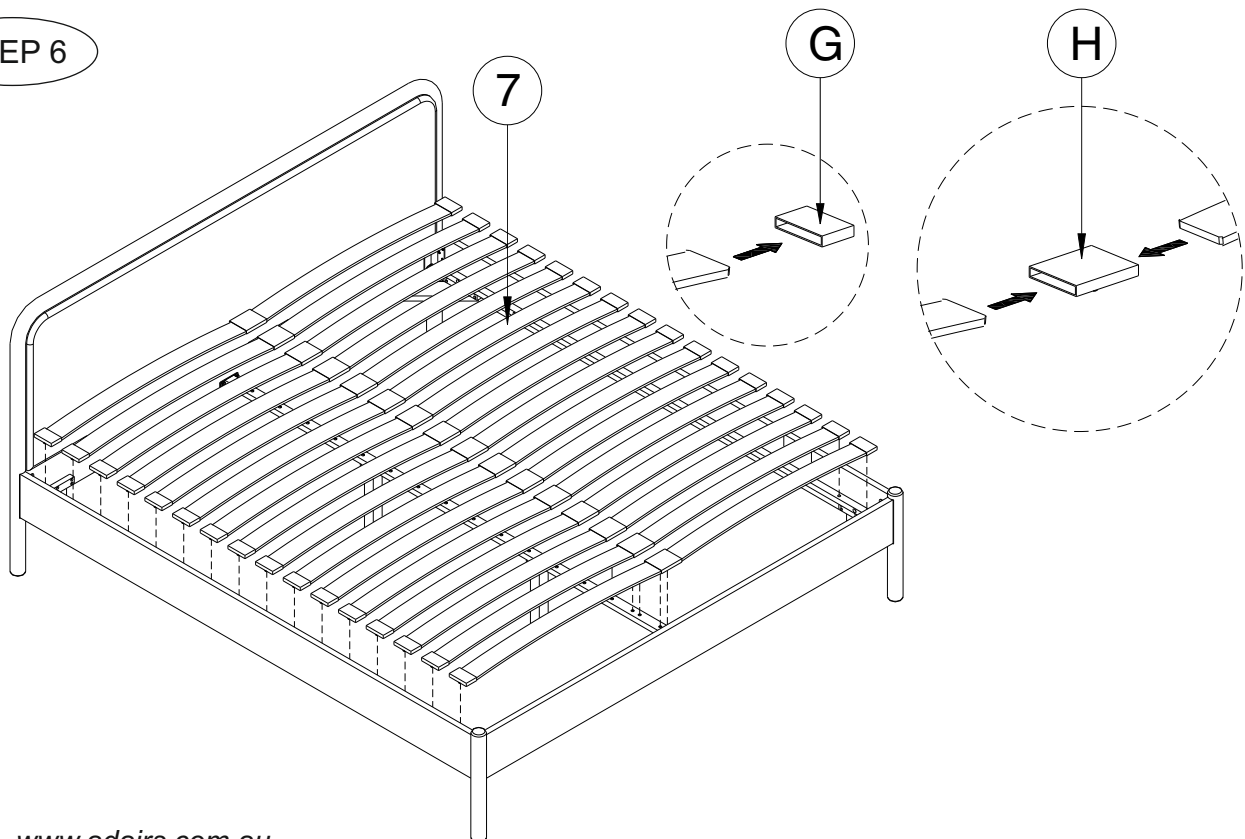
adairs

MACKAY KING FULL BED

STEP 5



STEP 6



www.adairs.com.au
www.adairs.co.nz

ASSEMBLY INSTRUCTIONS

MACKAY KING FULL BED

STEP 7

