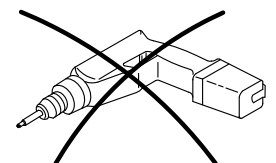
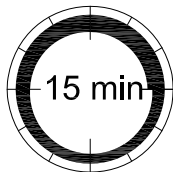
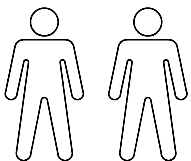


ASSEMBLY INSTRUCTIONS

LYON DESK CHAIR

Please read instructions carefully. Remove all wrapping material and packing from the carton. See hardware and furniture parts list for guidance. Be sure you have all parts before you start to assemble the product. Place all furniture parts on a clean surface, such as carpet or rug to prevent the item from being scratched.



Part list:

1 x Part 1



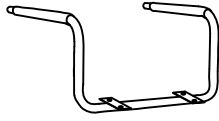
Seat

1 x Part 2



Mechanism

1 x Part 3



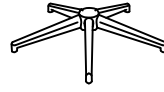
Armrest

1 x Part 4



Gaslift

1 x Part 5



Leg frame

5 x Part 6



Castors

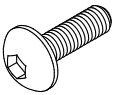
1 x Part 7



Cover cap

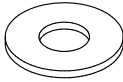
Hardware list:

Ax8



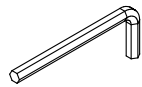
Bolt
M6x20

Bx8

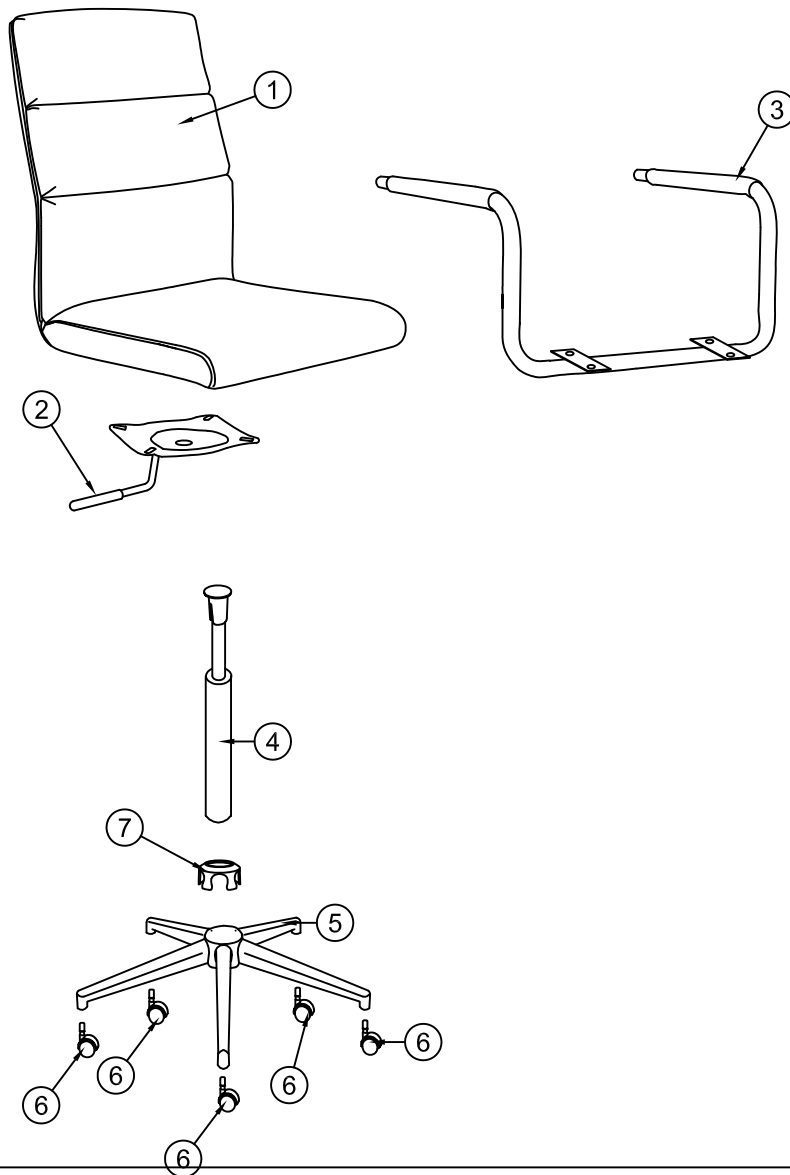


Washer
Ø6/Ø18

Cx1

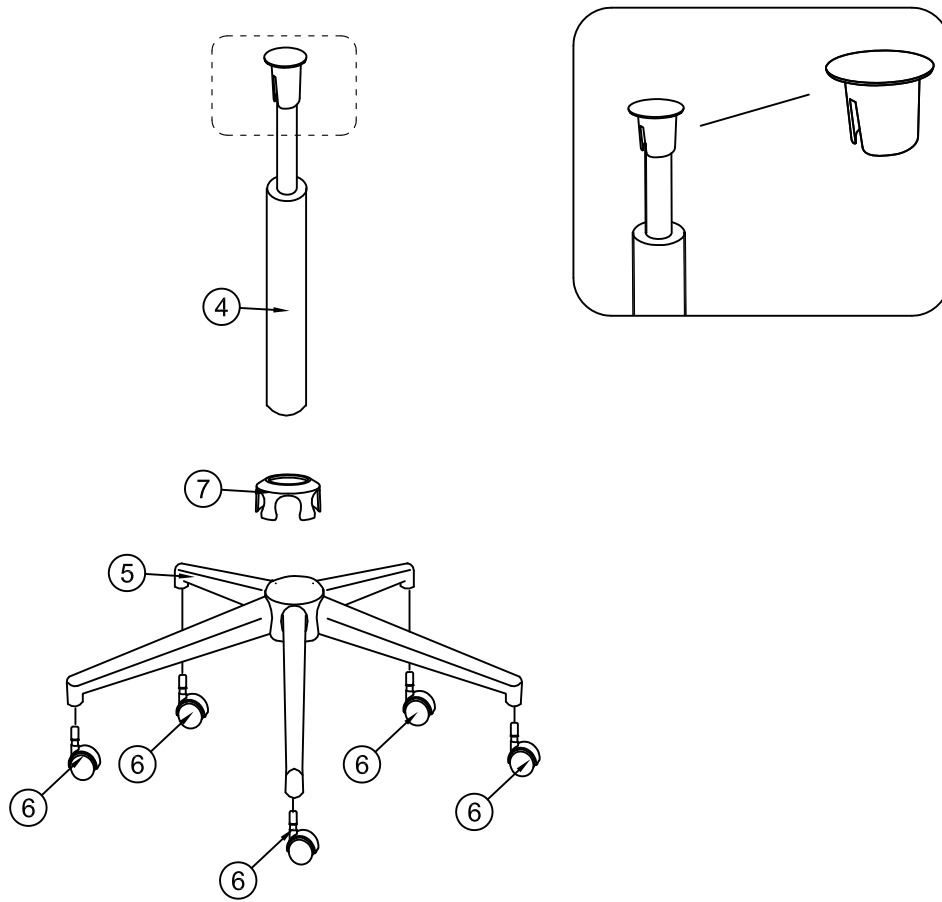


Allen key
4mm

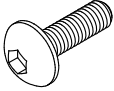
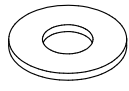
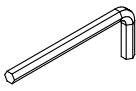


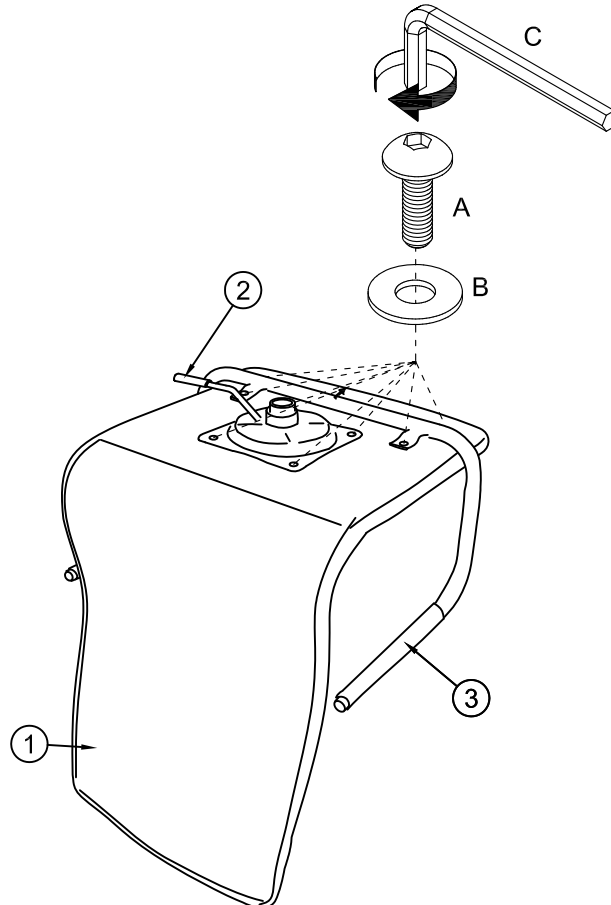
1

Remove cover from gas lift

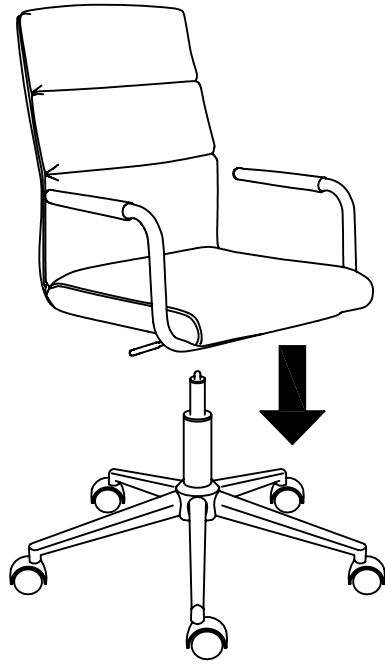


2

Ax8  M6x20mm	Bx8  Ø6/Ø18mm	Cx1  4mm
---	--	---



3



4

