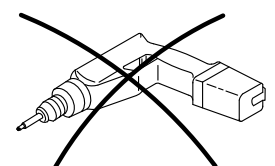
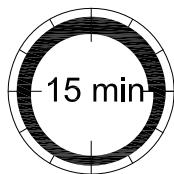
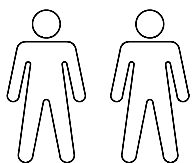
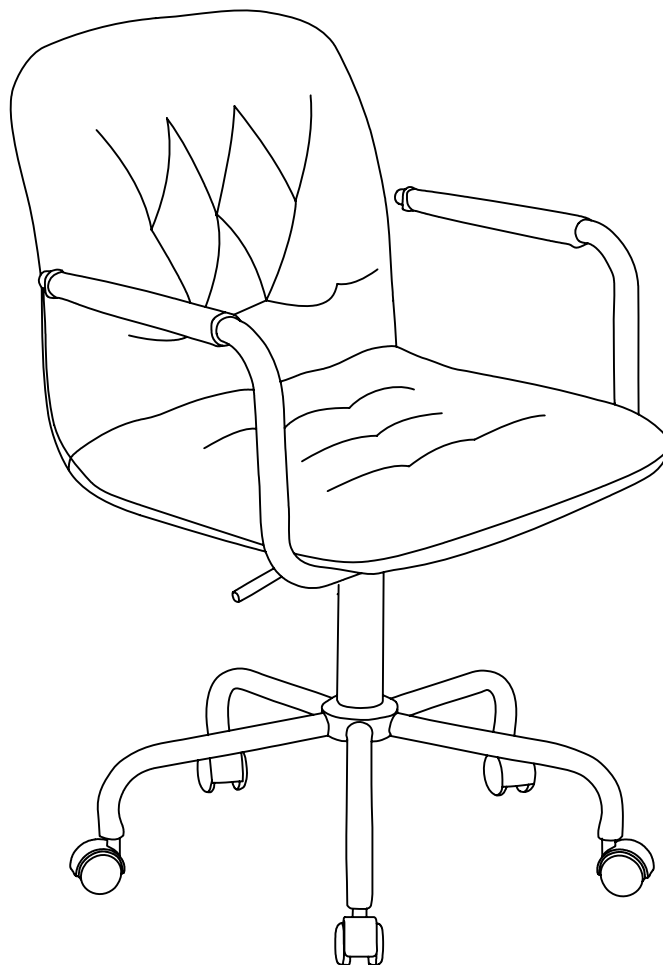


ASSEMBLY INSTRUCTIONS

COLMAR DESK CHAIR

Please read instructions carefully. Remove all wrapping material and packing from the carton. See hardware and furniture parts list for guidance. Be sure you have all parts before you start to assemble the product. Place all furniture parts on a clean surface, such as carpet or rug to prevent the item from being scratched.



Part list:

1 x Part 1

1 x Part 2

1 x Part 3

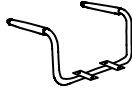
1 x Part 4

1 x Part 5

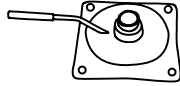
5 x Part 6



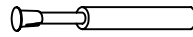
Seat



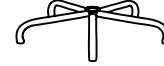
Armrest



Mechanism



Gaslift



Leg frame



Castors

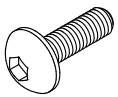
Hardware list:

Ax4

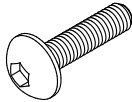
Bx4

Cx8

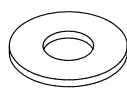
Dx1



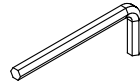
Bolt
M6x20



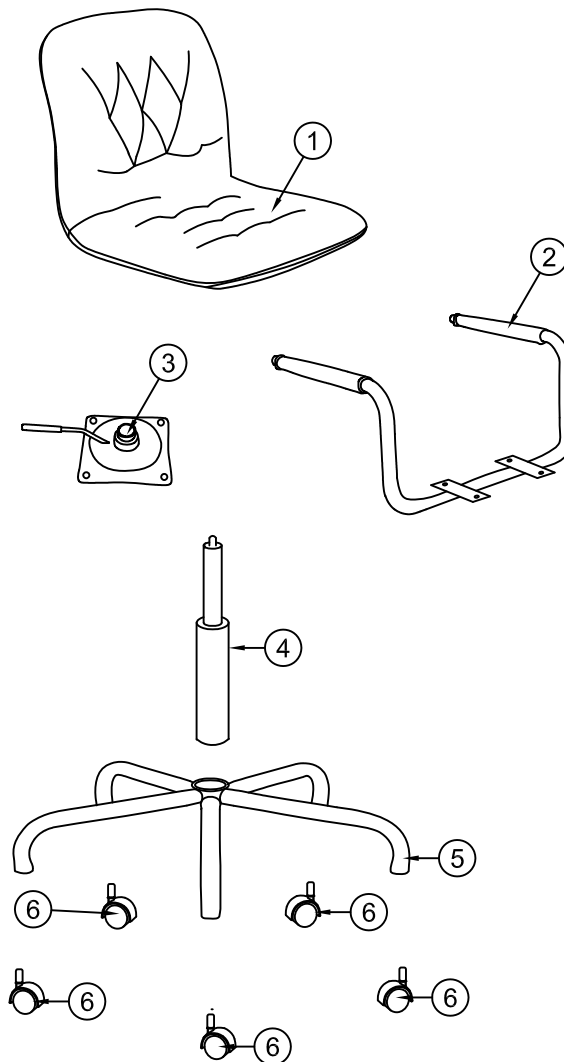
Bolt
M6x25



Washer
Ø6/Ø18

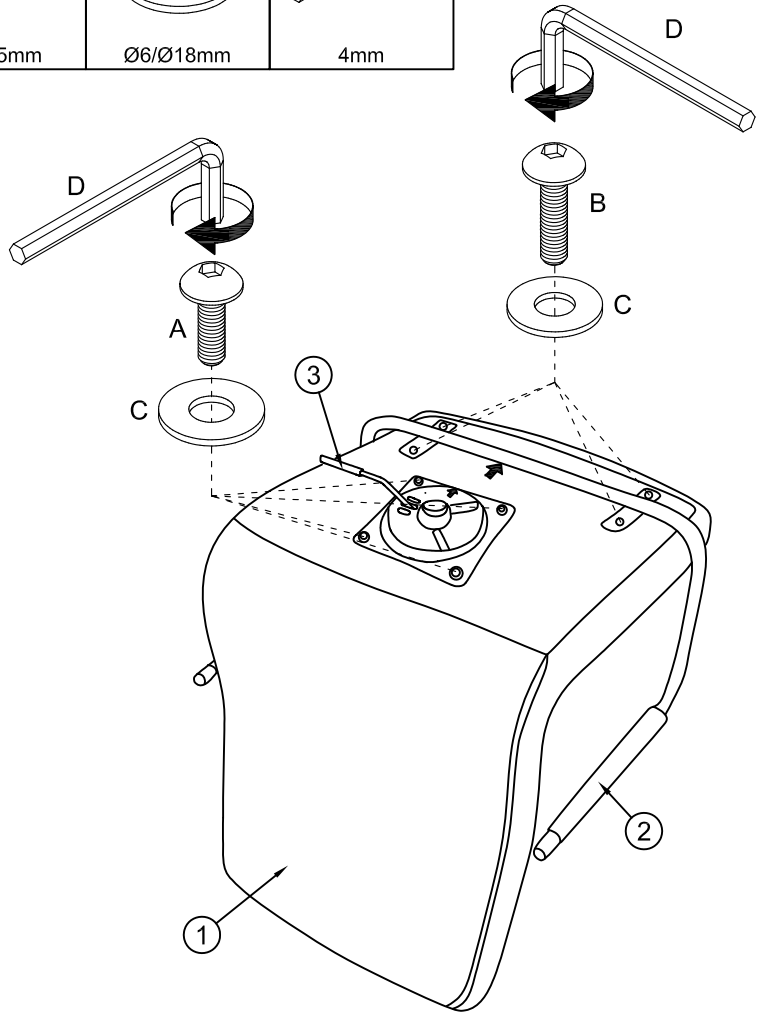


Allen key
4mm



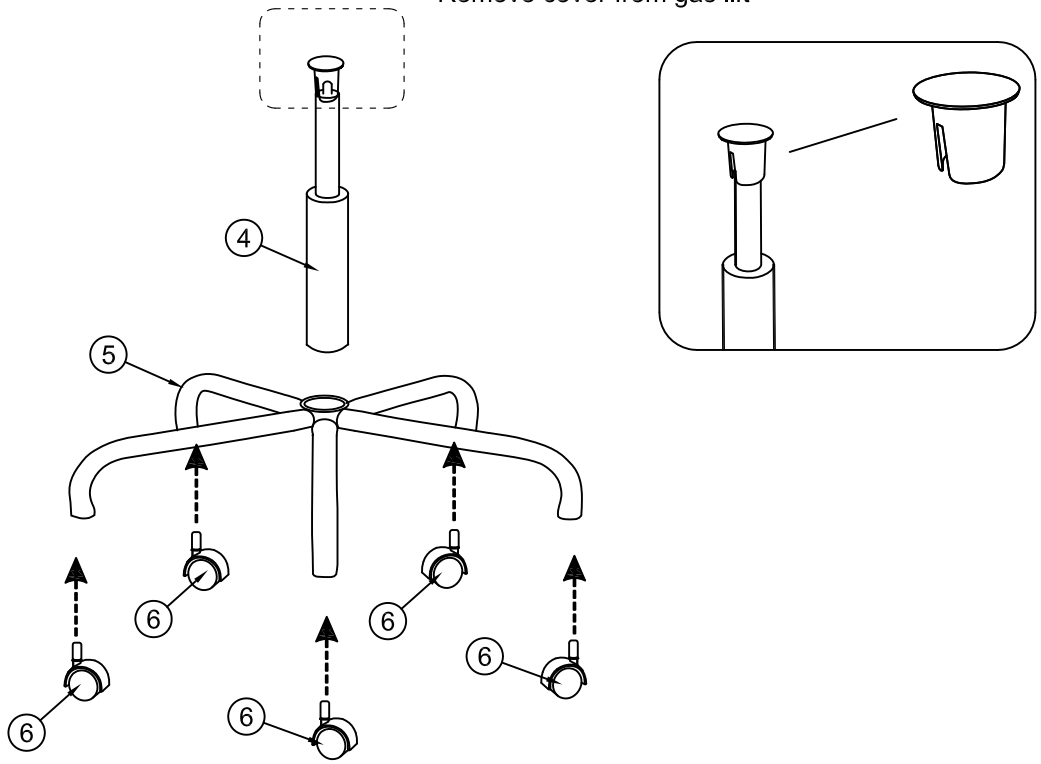
1

Ax4 M6x20mm	Bx4 M6x25mm	Cx4 Ø6/Ø18mm	Dx1 4mm
----------------	----------------	-----------------	------------

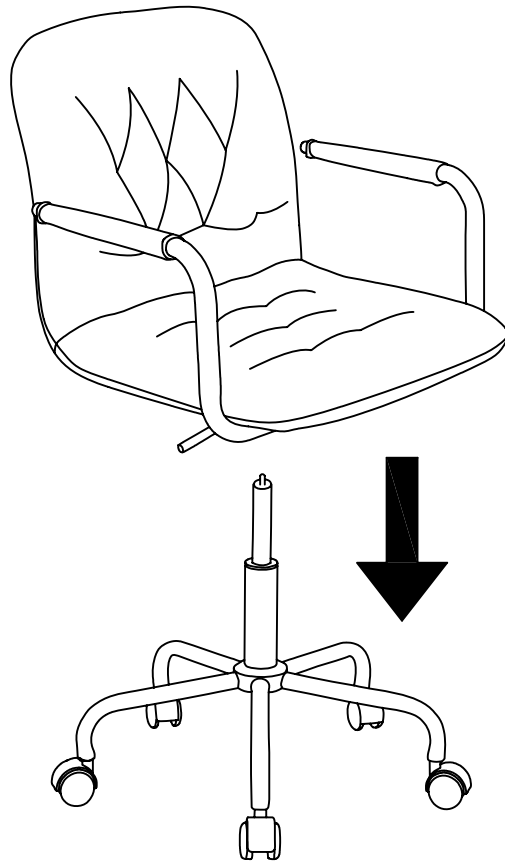


2

Remove cover from gas lift



3



4

