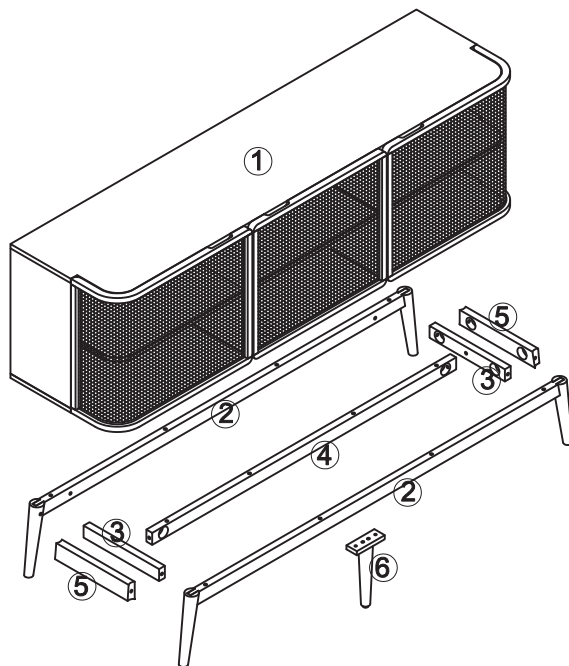


# ASSEMBLY INSTRUCTIONS

## BODEN 3 DOOR SIDEBOARD












Please read instructions carefully. Remove all wrapping material, staples and packing straps from the carton. See Hardware and Furniture Parts List for guidance. Be sure you have all parts before you start assembling. Place all wooden furniture parts on a clean and flat soft surface, such as carpet or rug to prevent from being scratched.



### PARTS INCLUDED

- |                 |        |
|-----------------|--------|
| 1. CABINET      | : 1pc  |
| 2. LEG          | : 2pcs |
| 3. BRACE PART 3 | : 2pcs |
| 4. BRACE PART 4 | : 1pc  |
| 5. BRACE PART 5 | : 2pcs |
| 6. SUPPORT LEG  | : 1pc  |

### HARDWARE LIST

A  x12	B  x12	C  x12	D  x1	E  x10
F  x10	G  x10	H  x10	I  x1	J  x4
K  x2				

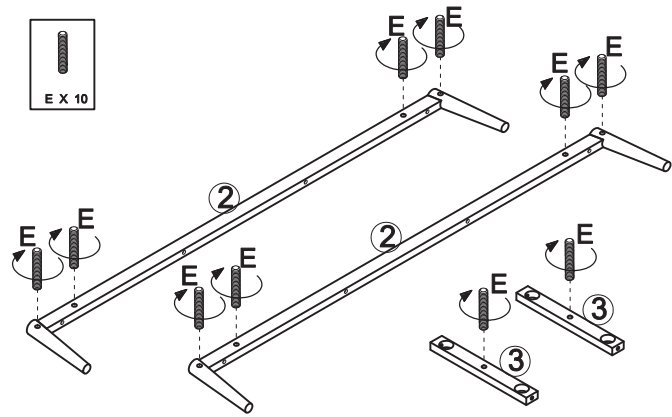
### FOR ASSEMBLY

- First, check the contents to make sure that nothing is missing.
- Sort out the parts and fittings as shown, assemble product step by step.
- It is preferable to rest the product on a soft surface to avoid damage during assembly.
- Do not overtighten screws and fittings.
- Re-tighten all screws and fittings periodically.

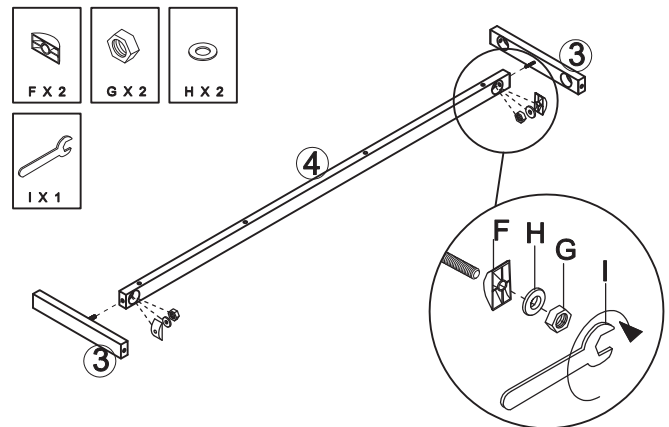
# ASSEMBLY INSTRUCTIONS

## BODEN 3 DOOR SIDEBOARD

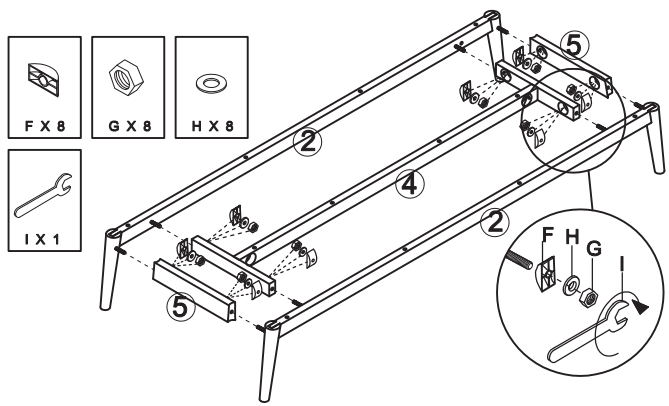
STEP 1



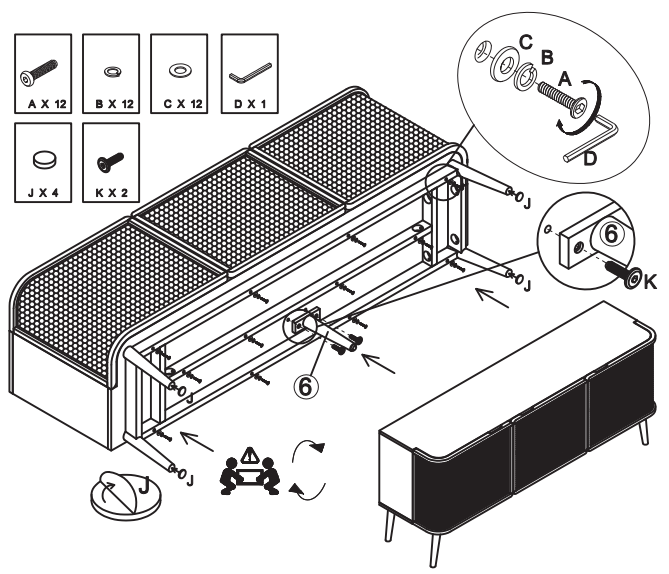
STEP 2



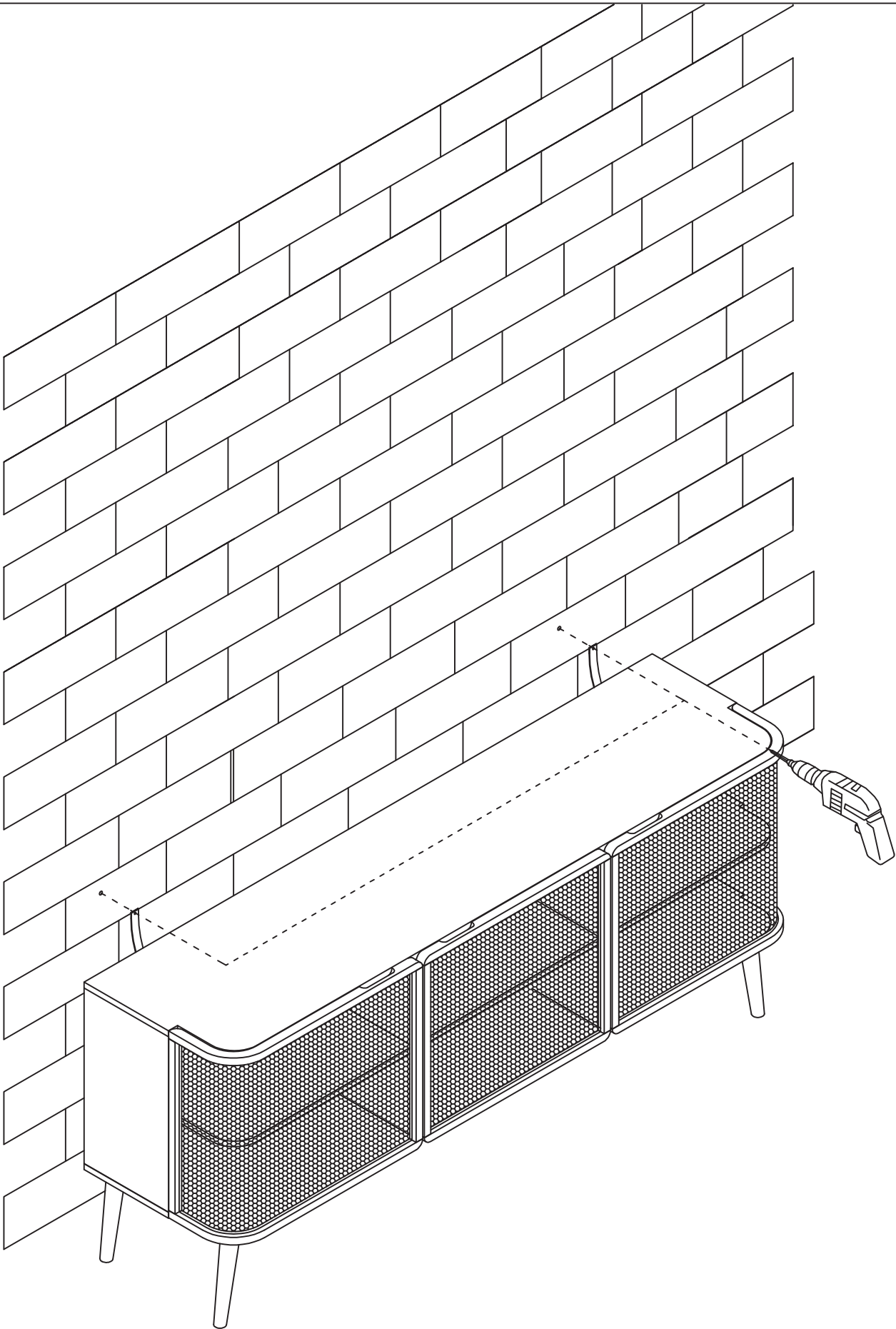
STEP 3



STEP 4



STEP 4



# INSTRUCTIONS FOR SAFETY ANCHOR



## WARNING:

It is **STRONGLY RECOMMENDED** that you **ANCHOR** this product .

Toppling furniture can cause serious injuries and death.

This product has been fitted with an anchor bracket. To prevent your furniture from tipping forward it is strongly recommended that you **securely attach this product** to a wall or other solid surface, using the anchor straps/brackets provided and appropriate fixings. Screws to fix into the wall are not included. Please purchase suitable screws from your local hardware store taking into consideration the material and thickness of the wall.

## IMPORTANT:

**Regularly check** that anchors are securely maintained.

Use safety **drawer locks** to prevent children climbing.

Stability of tall items may be affected by thick pile carpet or uneven floors.

**Do not** place unanchored televisions on furniture.

## CAUTION:

For your safety when attaching the anchor fixings, please note the following:

- Check for any electrical wires or plumbing inside the wall before drilling any holes (if you are unsure please seek professional advice from a qualified tradesperson)
- Walls are constructed from different materials, for example, masonry (solid brick) or plasterboard lined cavity walls (hollow). It is important that you use the appropriate wall fixings for your wall type.
- Your local hardware store will have the necessary drills and fixings and can offer advice if needed. If in doubt, engage the services of a qualified tradesperson to install and anchor the product.

# SAFETY ANCHOR ATTACHMENT

## Hardware List

Part	Picture	Description	Qty
A		Wall Bracket	2 Pcs

Bracket supplied on product to be fixed to the wall with screw (screw not supplied, please purchase suitable screw fixings from your local hardware store).

Align the pre attached bracket on the furniture with the bracket on the wall. Thread through the bracket as shown and tighten.

### Example of attachment to wall:

