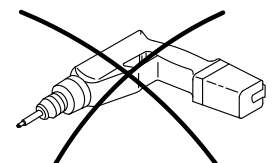
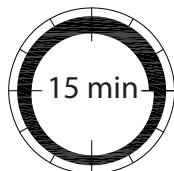
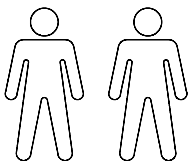
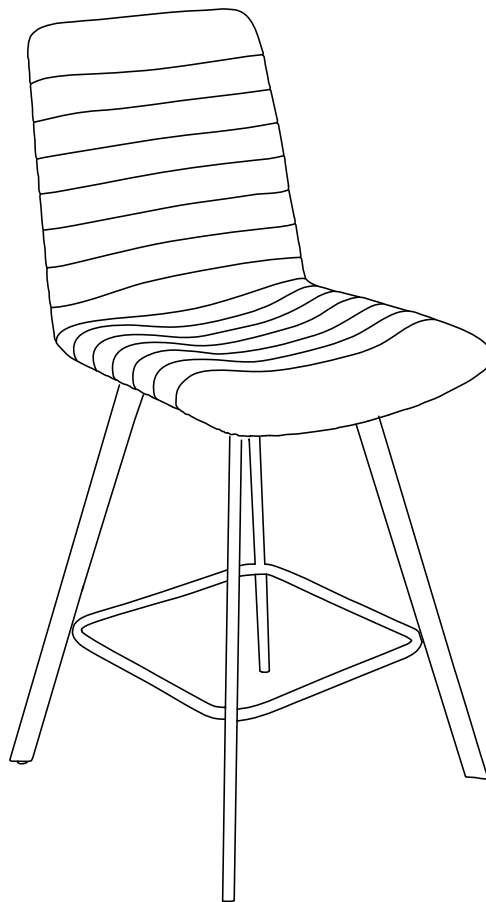





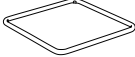
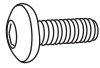
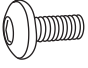
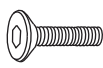



ASSEMBLY INSTRUCTIONS

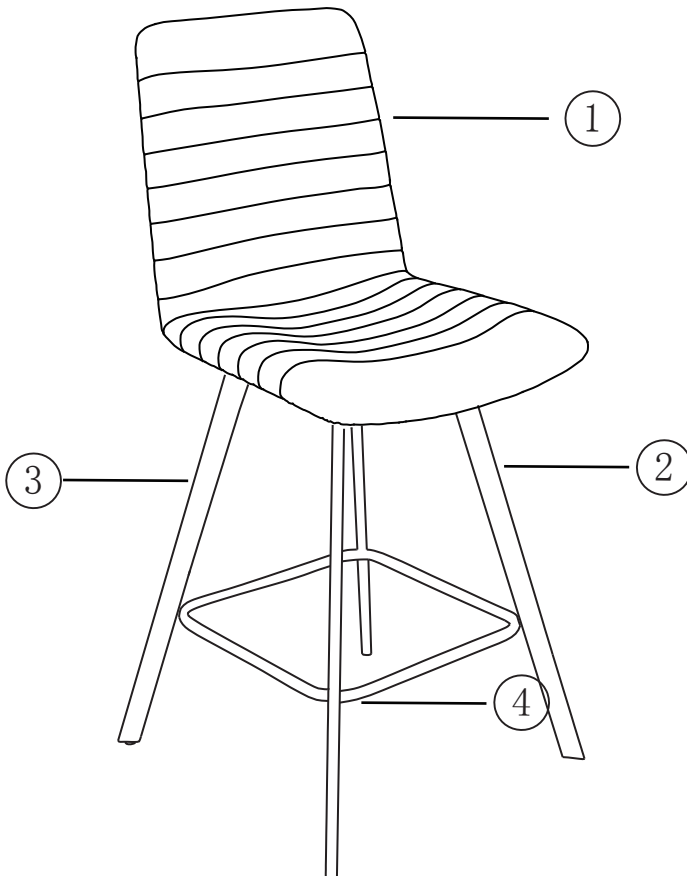
QUINN COUNTER STOOL

Please read instructions carefully. Remove all wrapping material, samples and packing straps from the carton. See hardware and furniture parts list for guidance. Be sure you have all parts before you start to assemble product. Place all furniture parts on a clean flat surface, such as carpet or rug to prevent from being scratched.

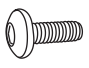
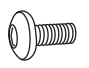




| Part number | Description |
|-------------|---------------|
| 1 | 1 x Seat |
| 2 | 1 x Leg Right |
| 3 | 1 x Leg left |
| 4 | 1 x Footrest |

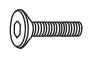

| | | | | |
|---|---|---|--|--|
| ①x1  | ② x1  | ③ x1  | ④ x1  | AX2  M6*35mm |
| BX4  M6*18mm | CX4  M6*25mm | DX6  M6*18*1.2mm | EX1  M6 | FX1  M5 |

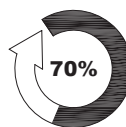
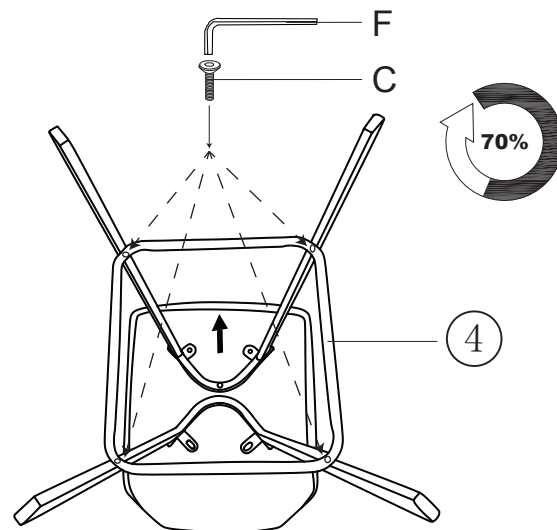
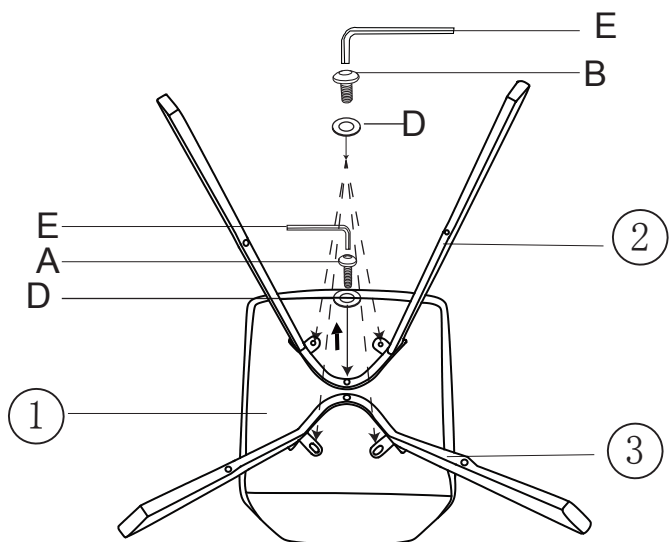


1



| | | | |
|---|---|---|--|
| AX2  M6*35mm | BX4  M6*18mm | DX6  M6*18*1.2mm | EX1  M6 |
|---|---|---|--|

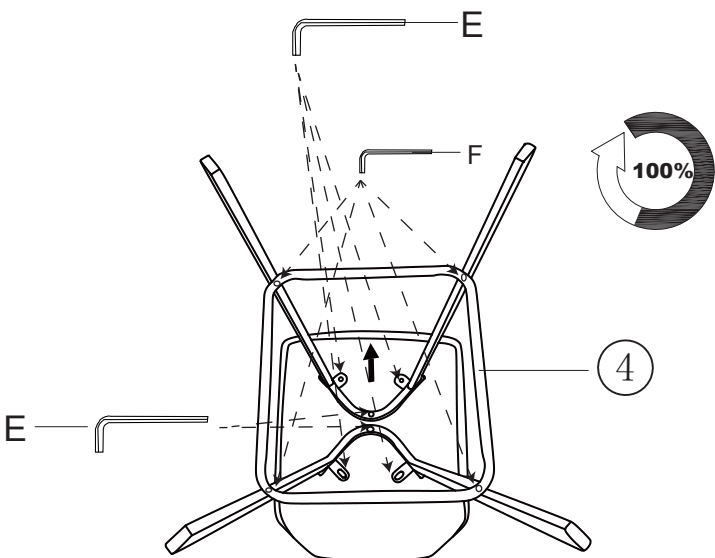
2

| | |
|---|--|
| CX4  M6*25mm | FX1  M5 |
|---|--|



3

| | |
|--|--|
| EX1  M6 | FX1  M5 |
|--|--|



4

