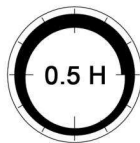
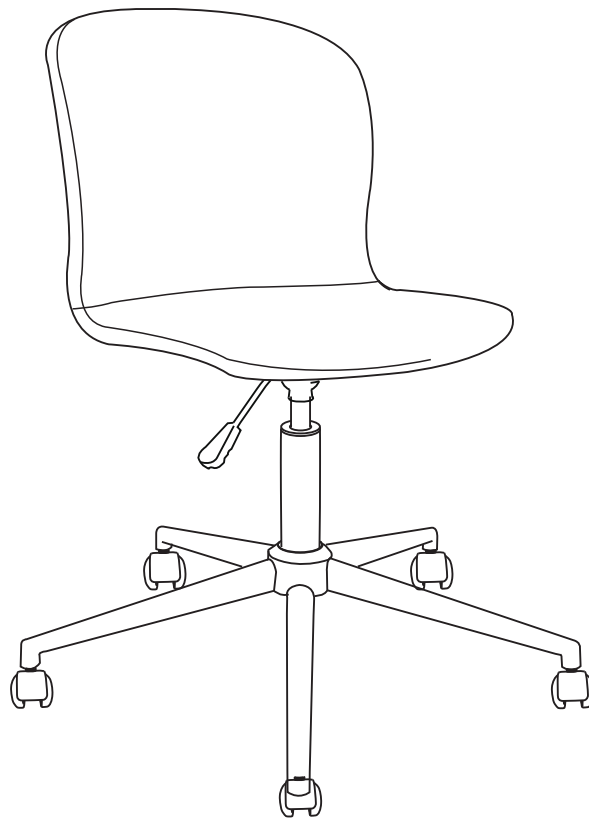


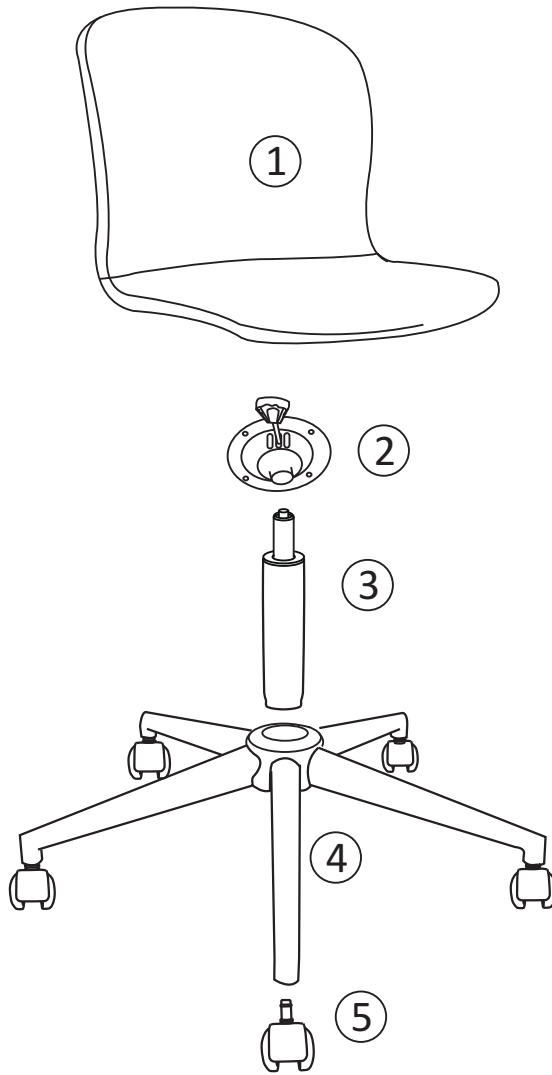
ASSEMBLY INSTRUCTIONS

ORLANDO - DESK CHAIR

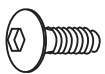
Please read instructions carefully. Remove all wrapping material, samples and packing straps from the carton. See hardware and furniture parts list for guidance. Be sure you have all parts before you start to assemble product. Place all furniture parts on a clean at surface, such as carpet or rug to prevent from being scratched.



		Parts list	✓
①	1	Chair Seat	
②	1	Base attachment and Lever	
③	1	Chair Support Pole	
④	1	Chair Base	
⑤	5	Plastic Roller Feet	



Ax4



M6x14mm

Bx4



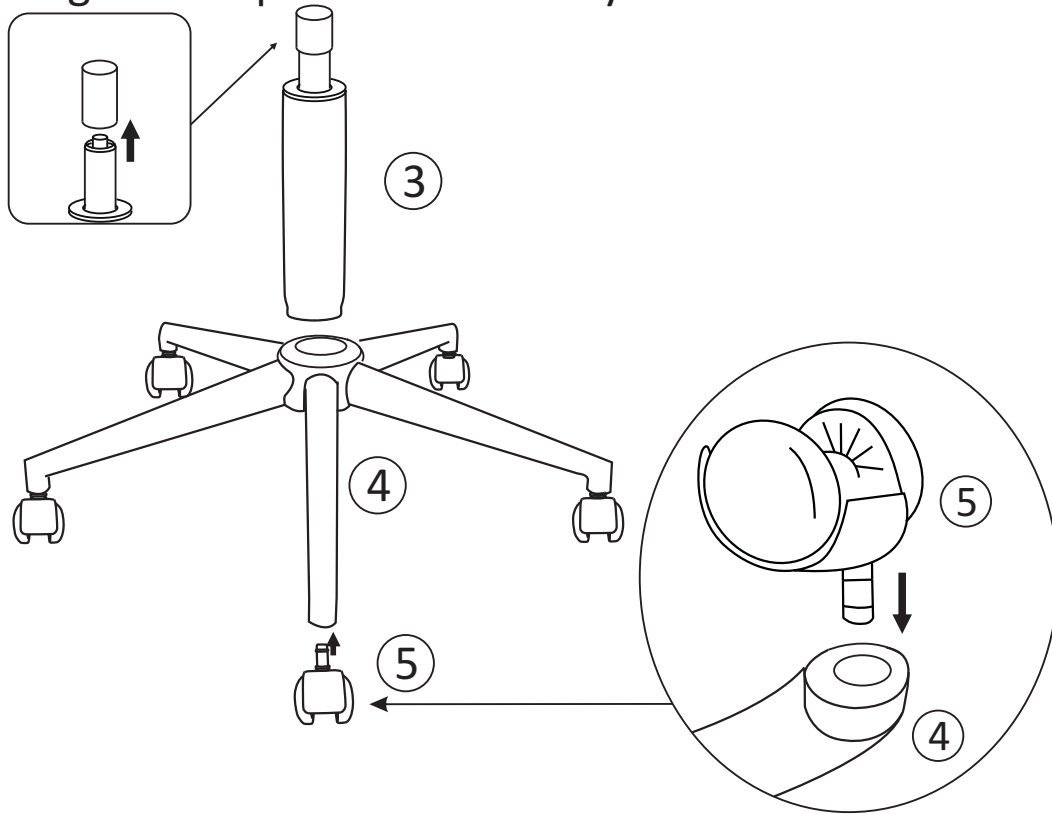
M6x16mm

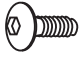


Cx1

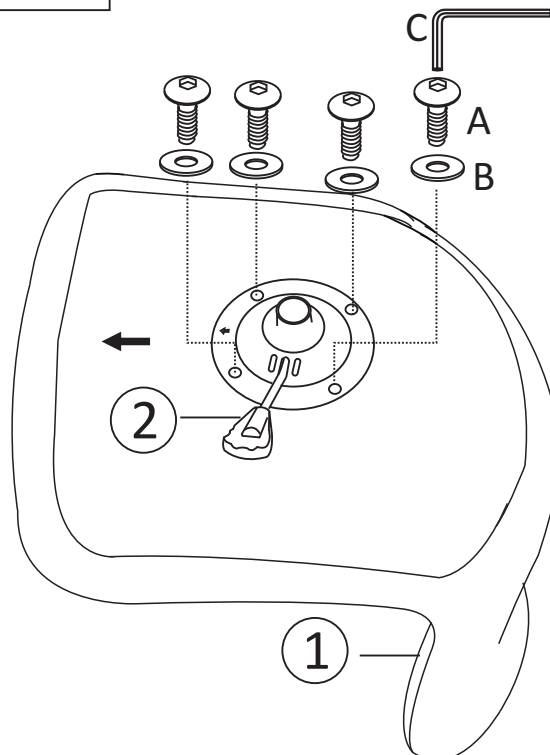


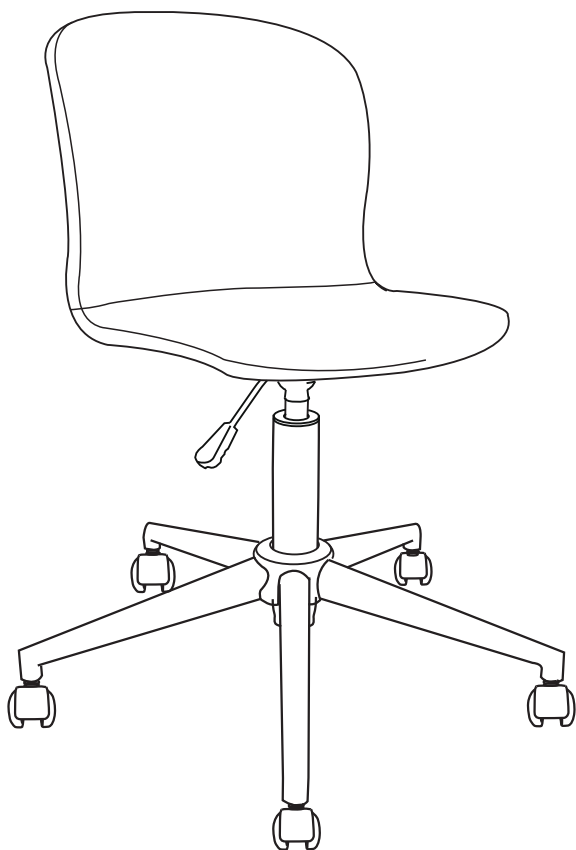
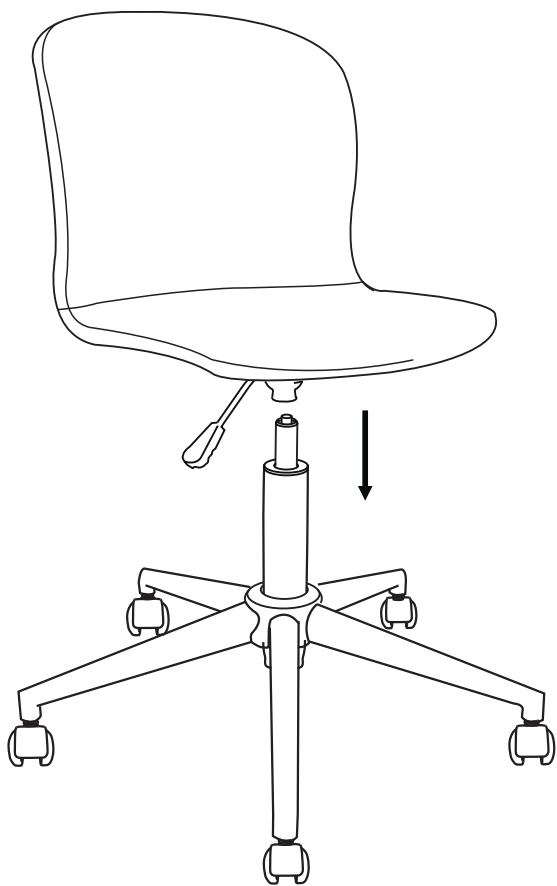
5mm

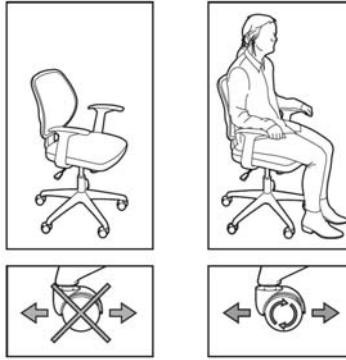
NOTE: Remove gas lift cap before assembly



Ax4  M6x14mm	Bx4  M6x16mm	Cx1  5mm
--	--	--







ATTENTION. This item is equipped with brake castors, to avoid injury and for your safety. The castors will only brake if no weight is applied.