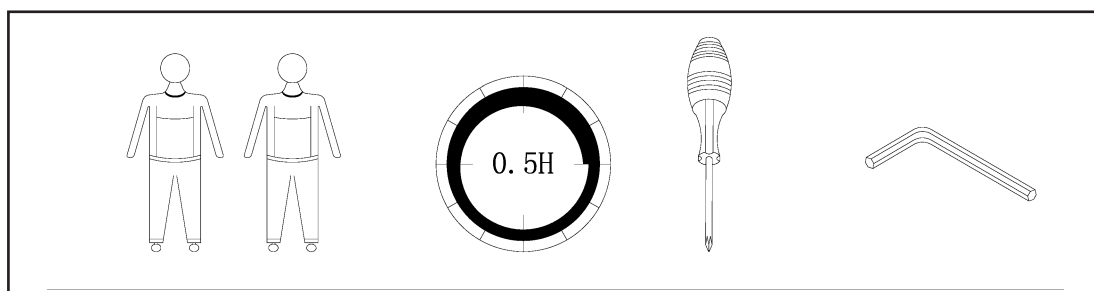
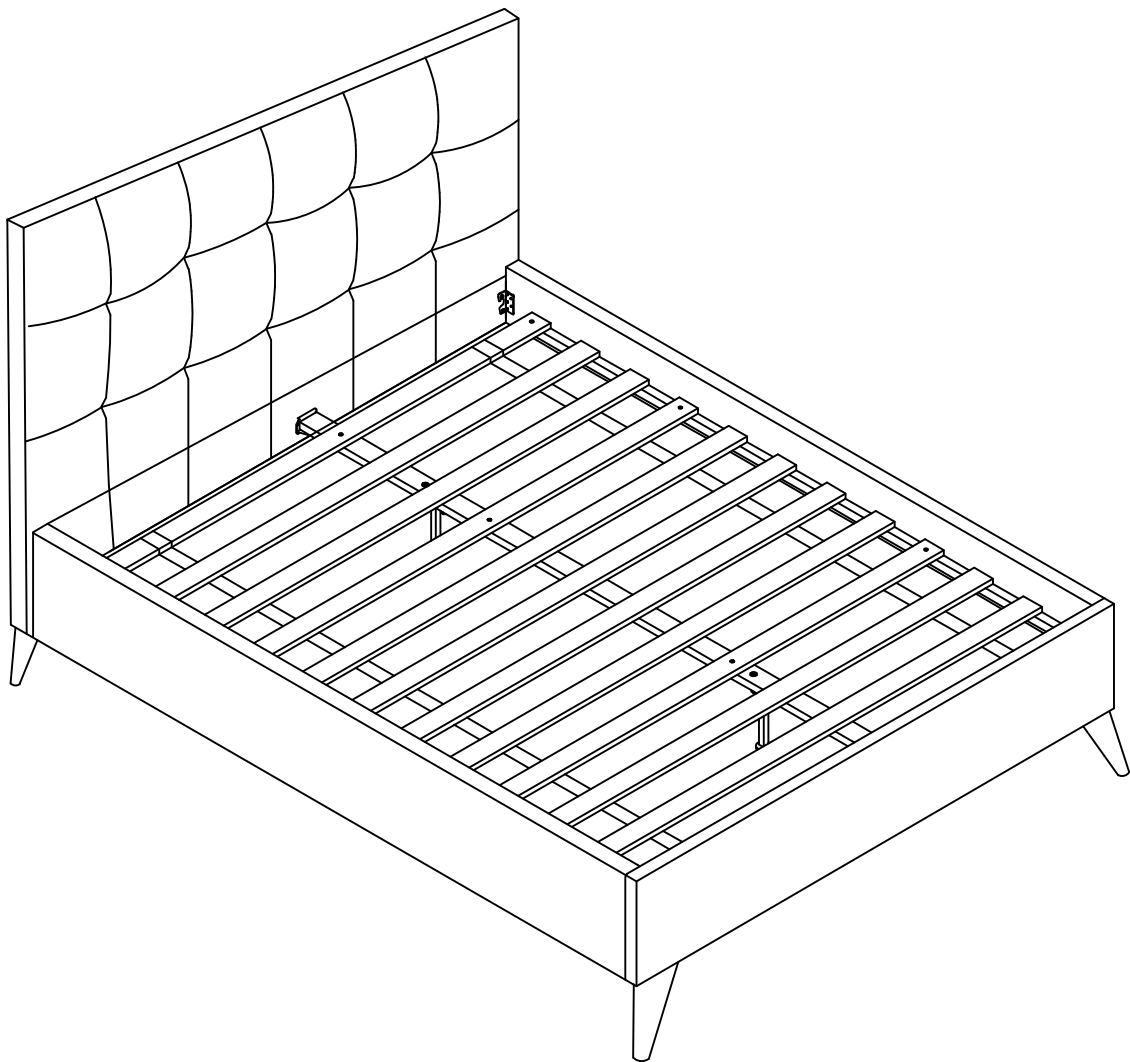


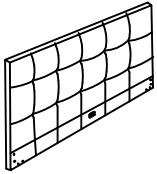
ASSEMBLY INSTRUCTIONS HIGHBURY FULL BED

Please read instructions carefully. Remove all wrapping material, samples and packing straps from the carton. See hardware and furniture parts list for guidance. Be sure you have all parts before you start to assemble product. Place all furniture parts on a clean flat surface, such as carpet or rug to prevent from being scratched.



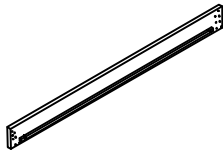
Part list:

1 x Part 1



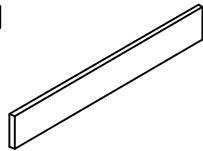
Headboard

2 x Part 2



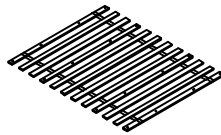
Side rail

1 x Part 3



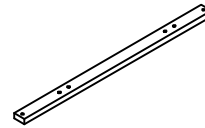
Footboard

1 x Part 4



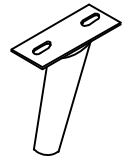
Slats

1 x Part 5



Middle support

4 x Part 6



Legs

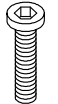
Hardware list:

Ax24



Bolt M8x25

Bx12



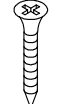
Bolt M8x35

Cx2



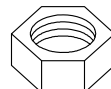
Bolt M6x15

Dx12



Screw
Ø5x25

Ex4



Nut
M8/13x6,5

Fx32



Washer
Ø8/Ø19

Gx28



Spring washer
Ø8/Ø13

Hx4



Felt pad
Ø30x3

Ix1



Allen key
5mm

Jx1



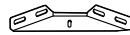
Spanner
85x26x2

Kx2



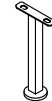
Bracket
68x32x30

Lx4

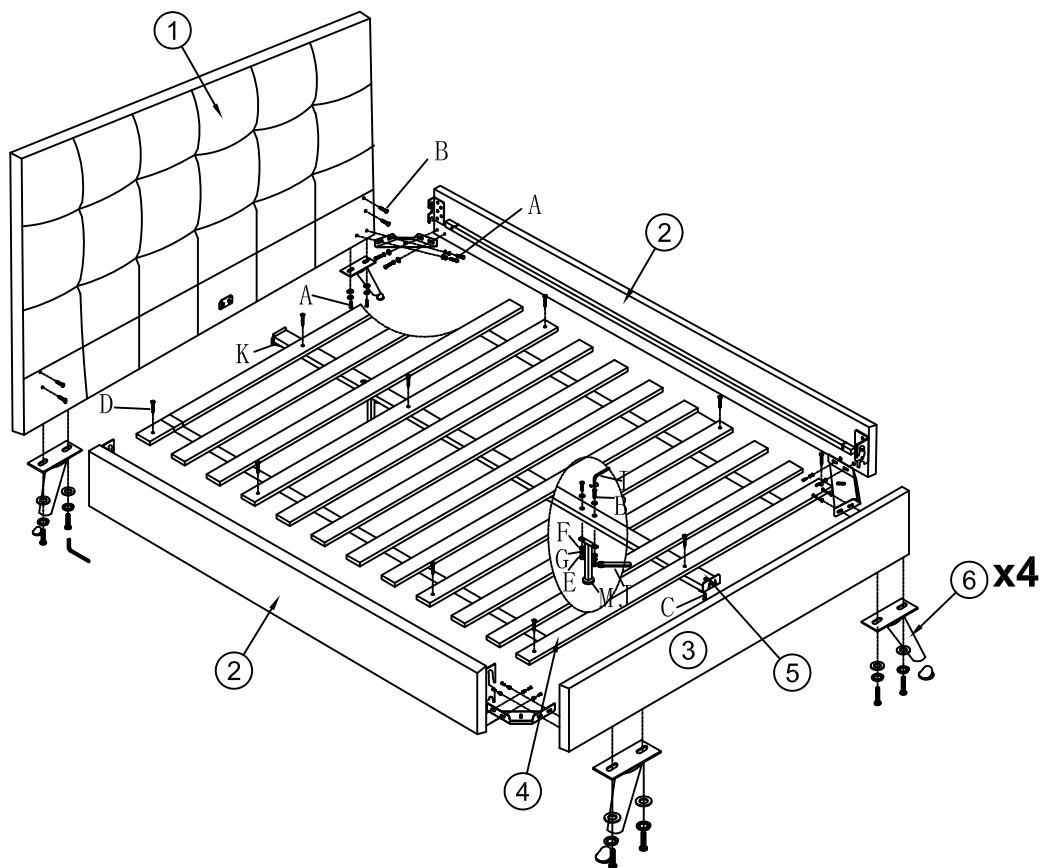


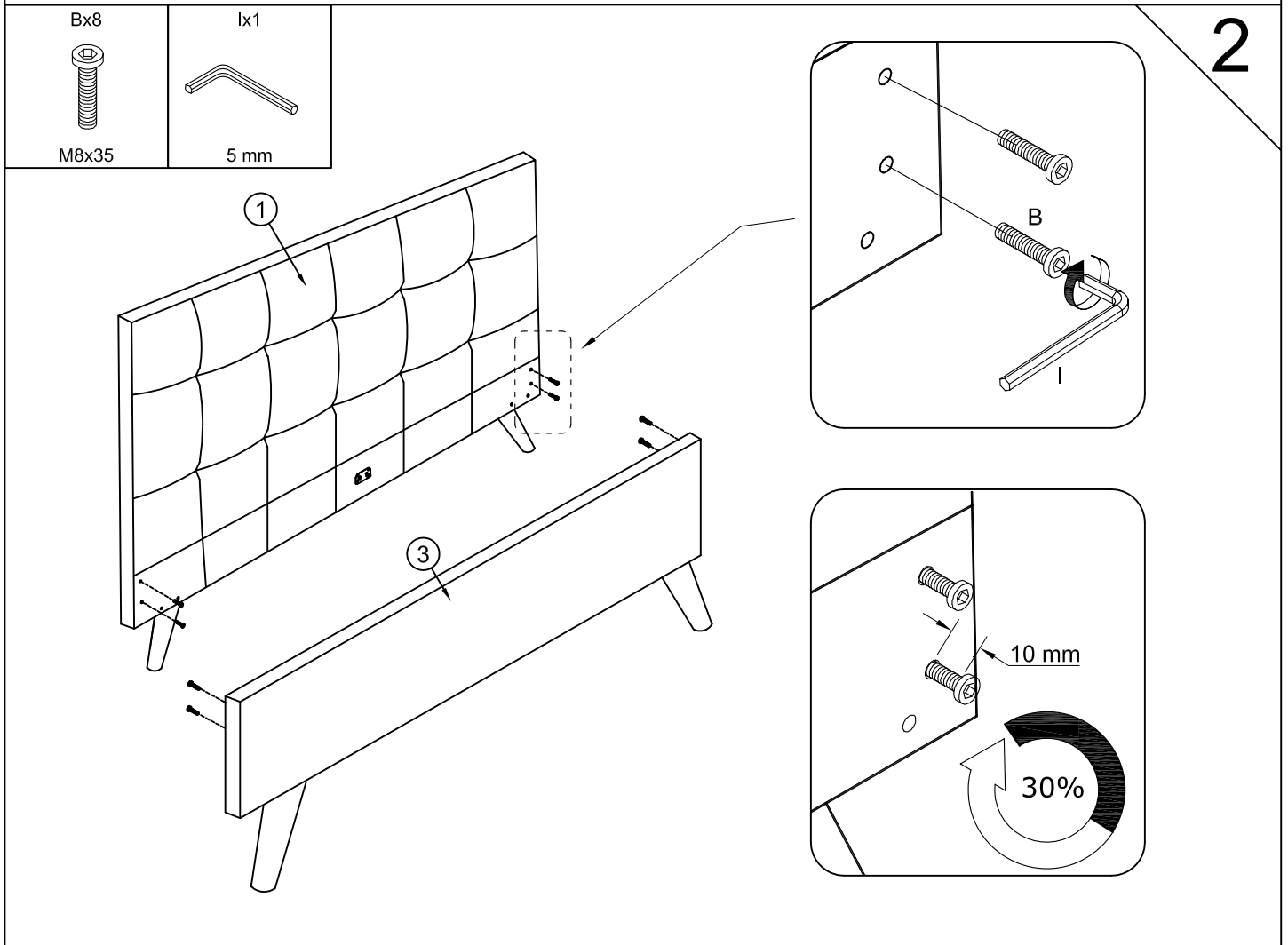
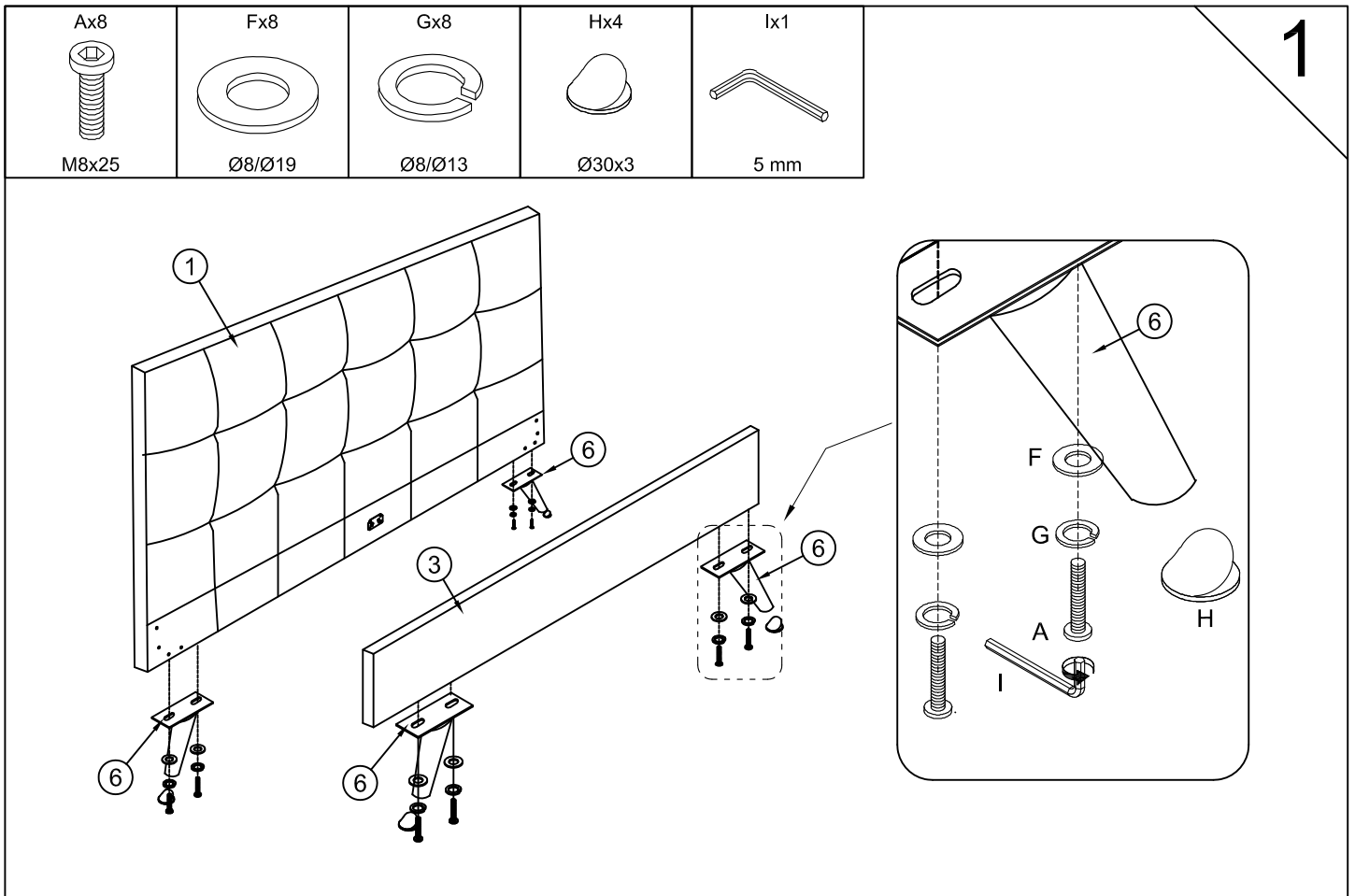
Corner
255x103x31,5

Mx2





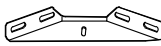


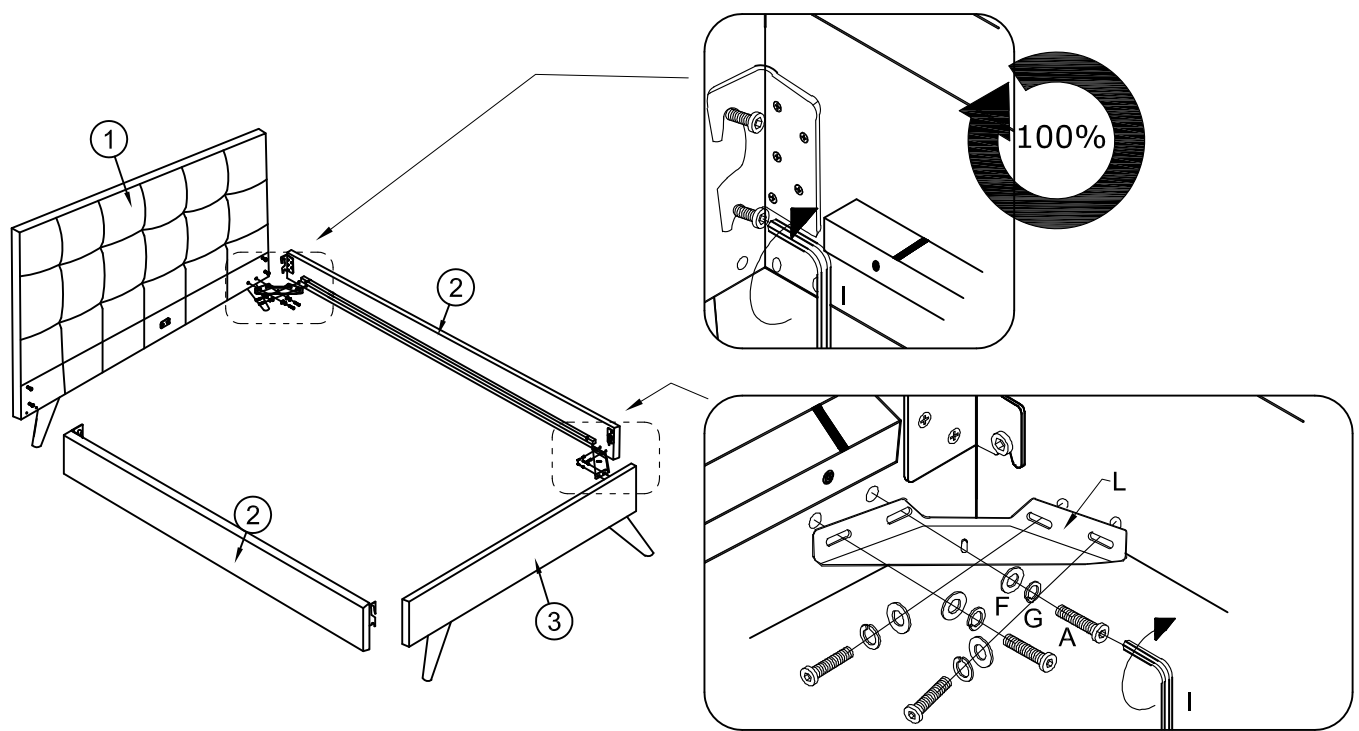
Support leg
92x41x230





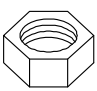




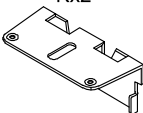
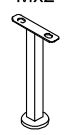


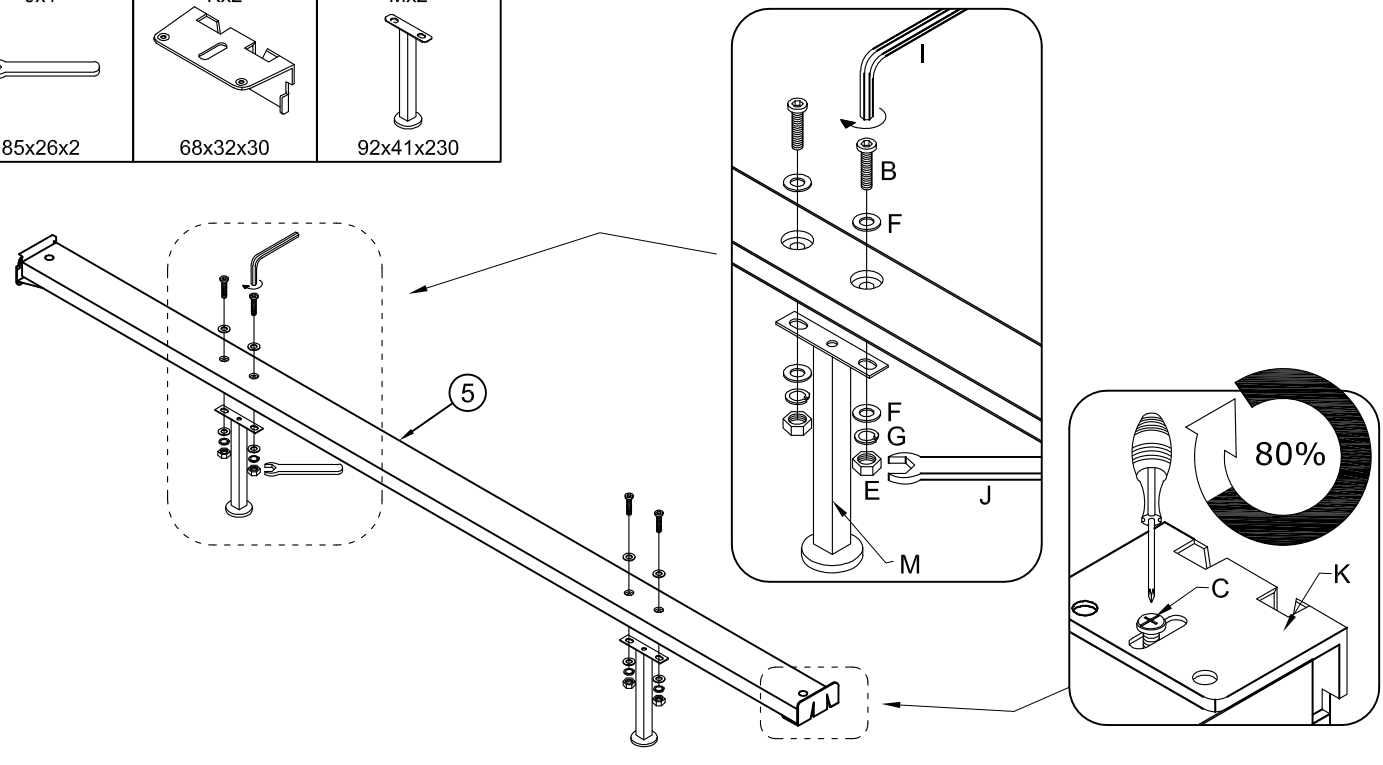
3

Ax16  M8x25	Fx16  Ø8/Ø19	Gx16  Ø8/Ø13	Ix1  5 mm	Lx4  255x103x31,5
--	---	---	--	--

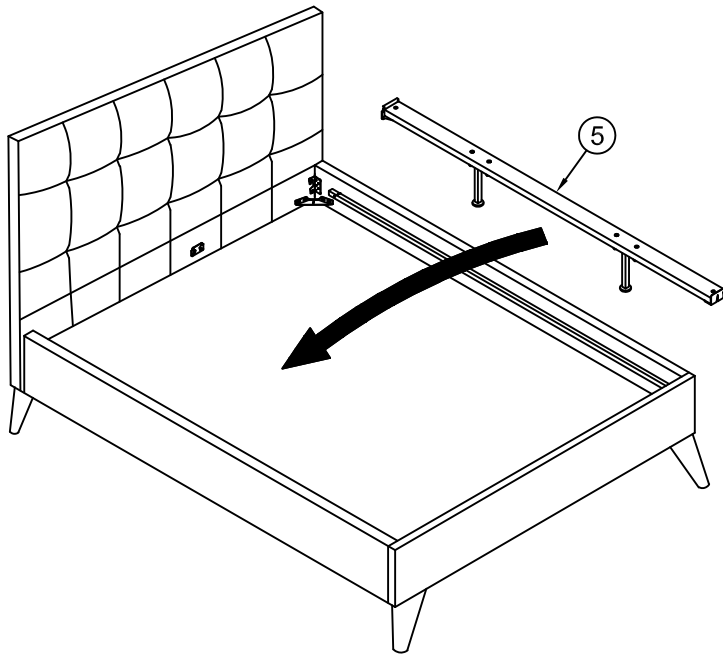


4

Bx4  M8x35	Cx2  M6x15	Ex4  M8/13x6,5	Fx8  Ø8/Ø19	Gx4  Ø8/Ø13	Ix1  5 mm
Jx1  85x26x2	Kx2  68x32x30	Mx2  92x41x230			



5

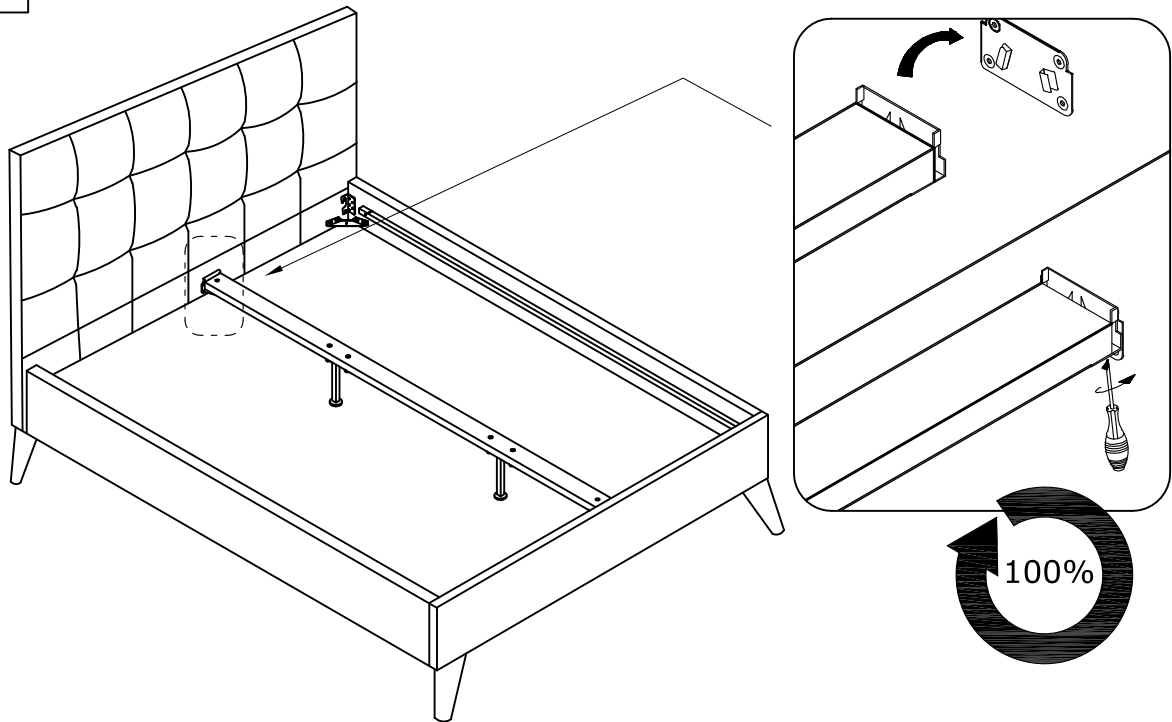


6

1x1



5 mm

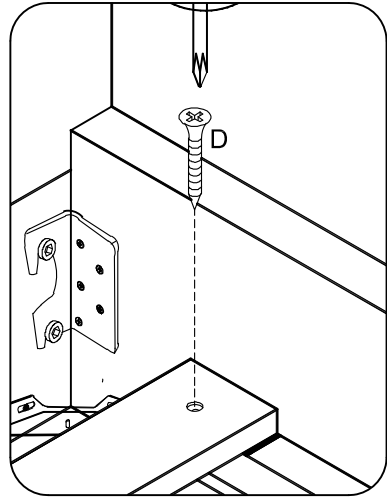
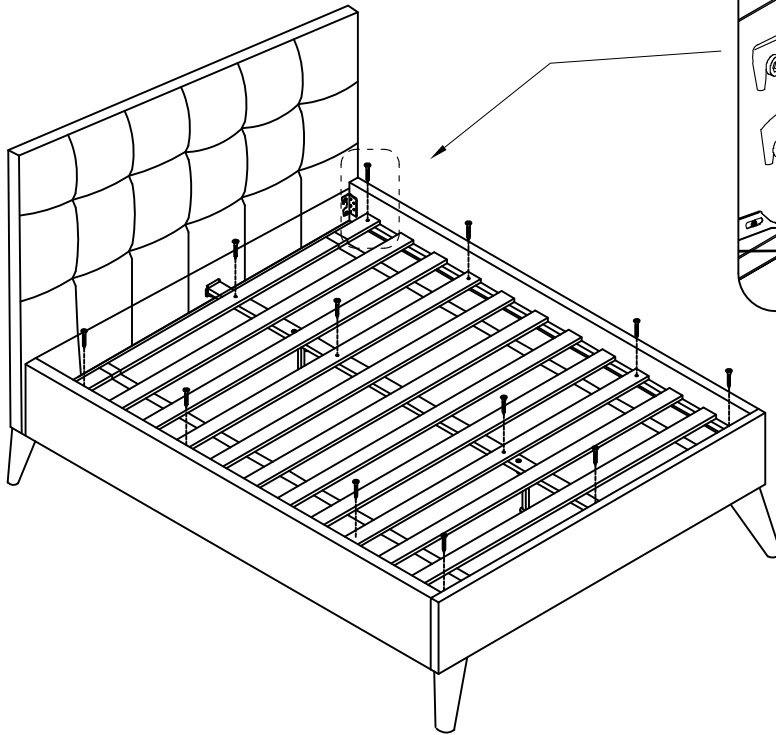


Dx12



Ø5x25

7



8

