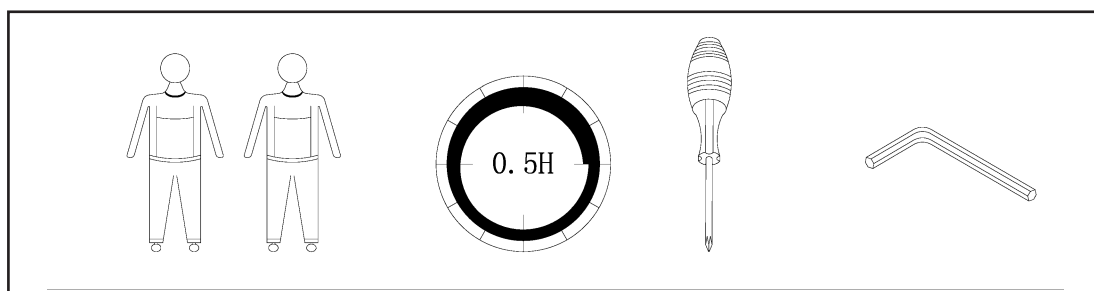
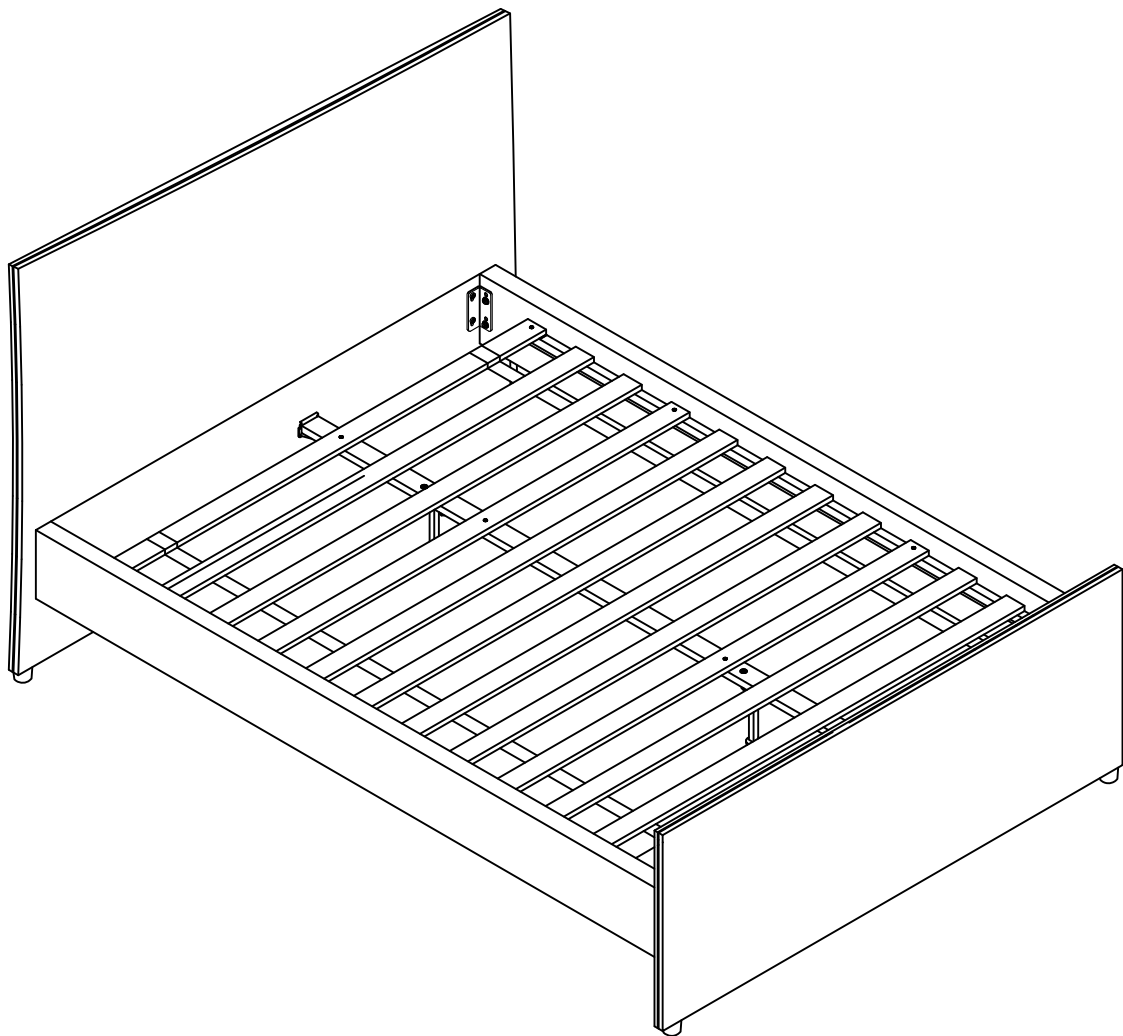


## ASSEMBLY INSTRUCTIONS

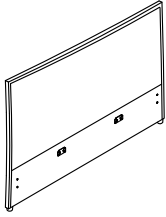
### SELMA FULL BED

Please read instructions carefully. Remove all wrapping material, samples and packing straps from the carton. See hardware and furniture parts list for guidance. Be sure you have all parts before you start to assemble product. Place all furniture parts on a clean flat surface, such as carpet or rug to prevent from being scratched.



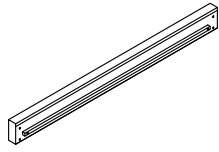
Part list:

1 x Part 1



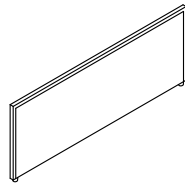
Headboard

2 x Part 2



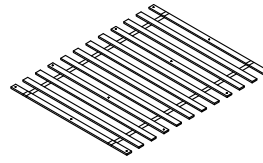
Side rail

1 x Part 3



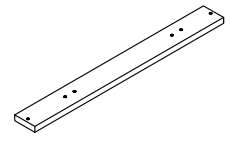
Footboard

1 x Part 4



Slats

1 x Part 5



Middle support

Hardware list:

Ax20



Bolt M8x40

Bx2



Bolt M6x15

Cx16



Washer  
Ø8/Ø19

Dx12



Spring washer  
Ø8/Ø13

Ex4



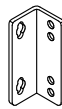
Nut  
M8/13x6,5

Fx1



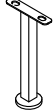
Allen key  
5mm

Gx4



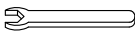
Bracket  
130x47x47

Hx2



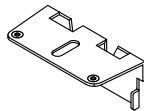
Support leg  
92x41x180

Ix1



Spanner  
85x26x2

Jx2

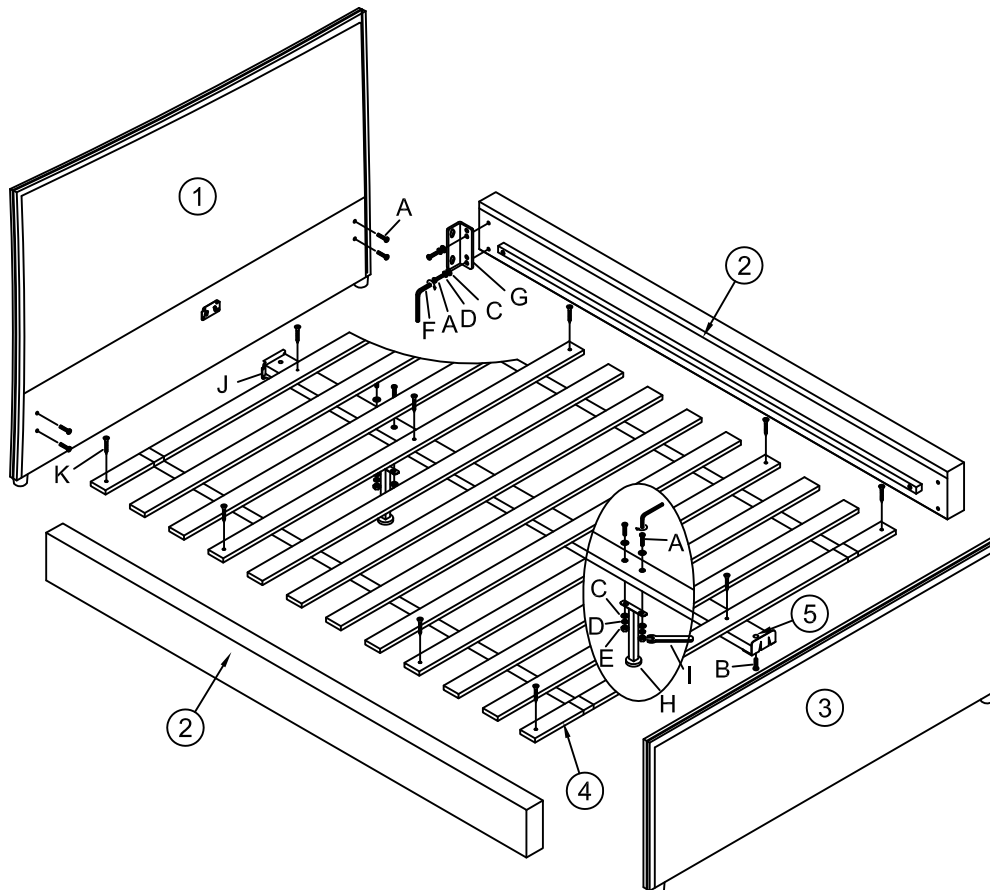


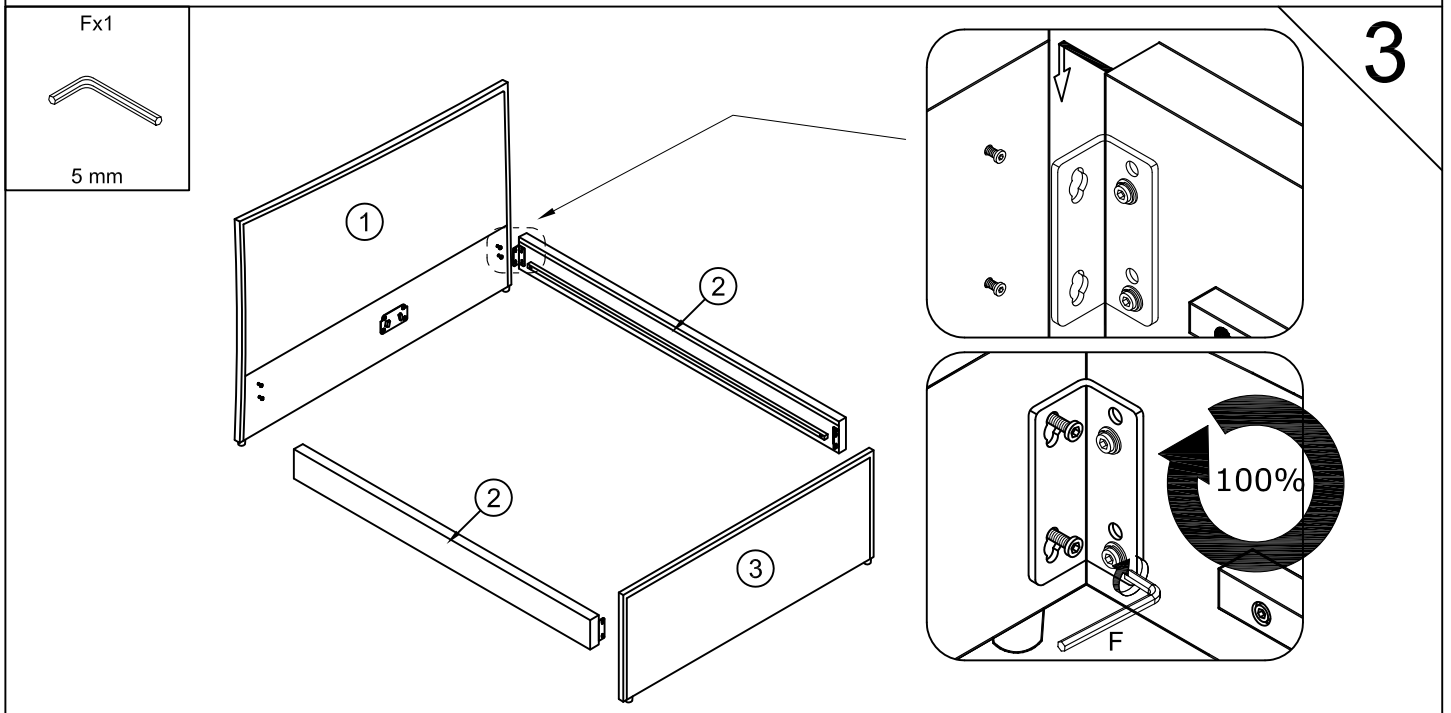
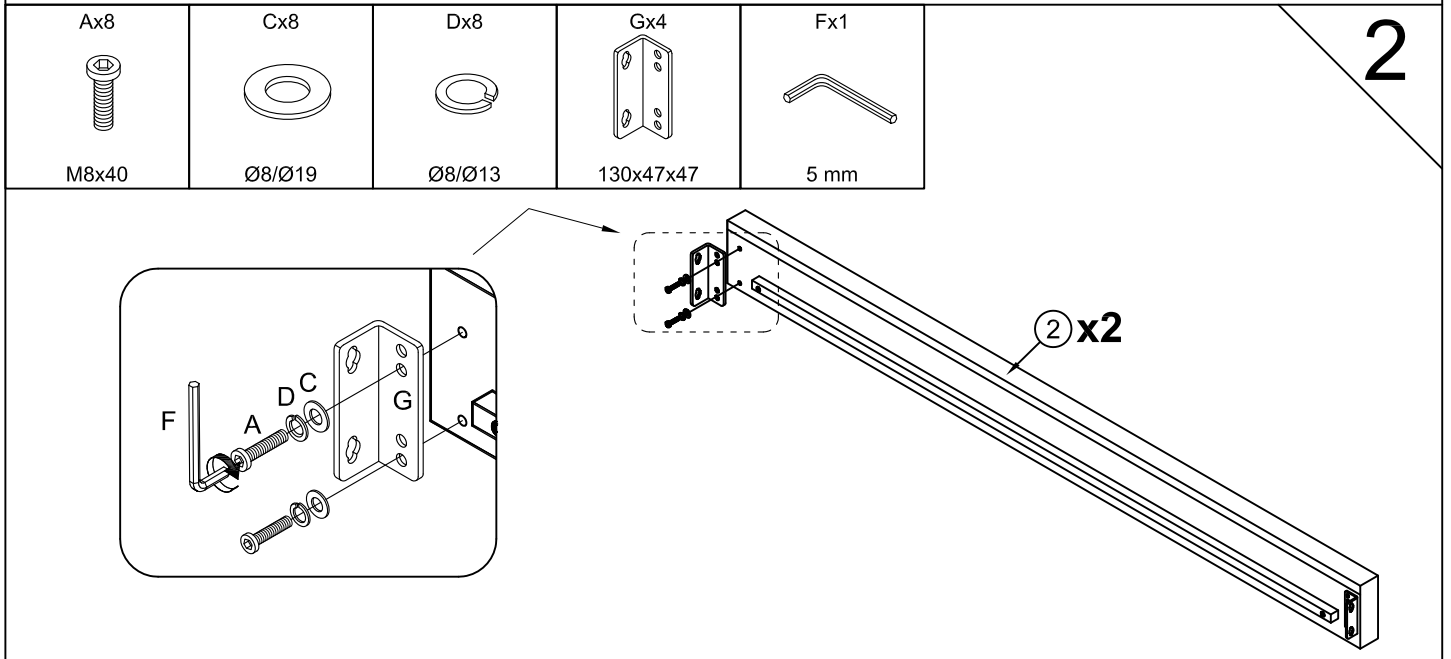
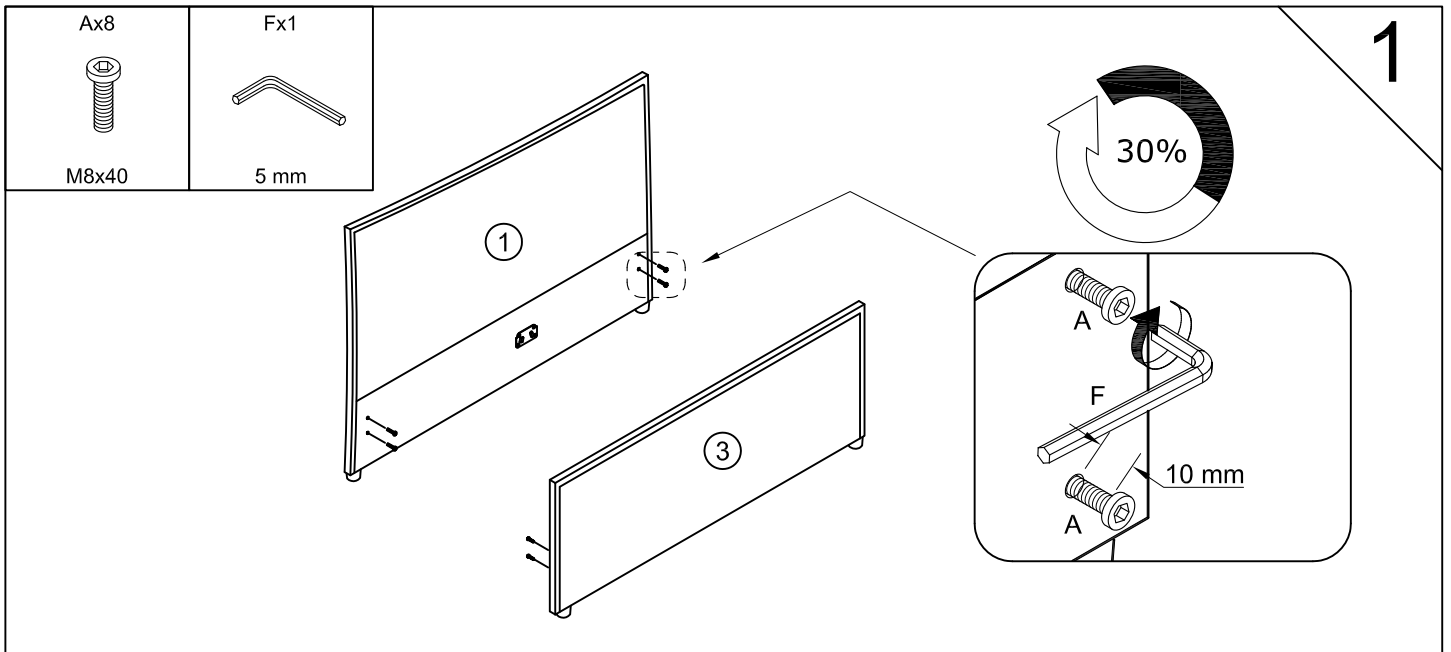
Bracket  
68x33x30

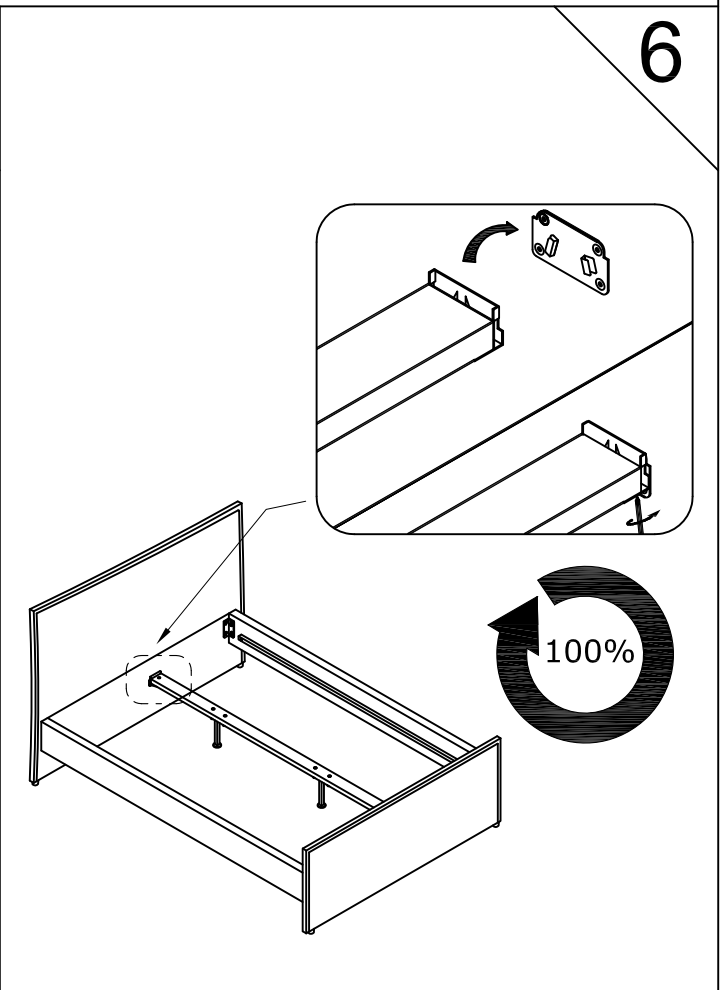
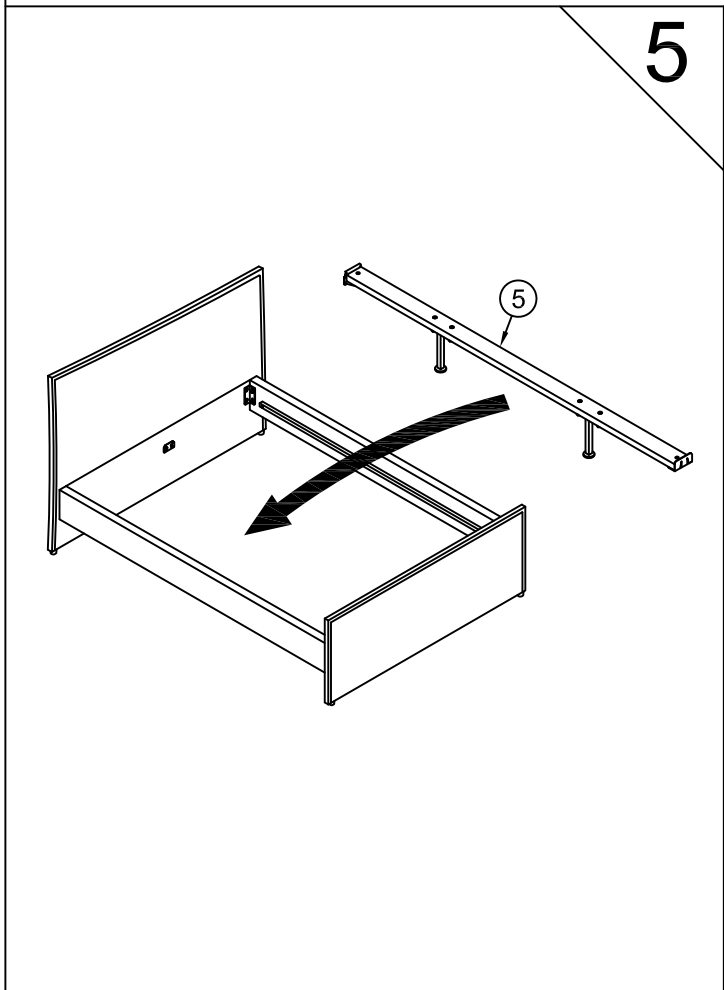
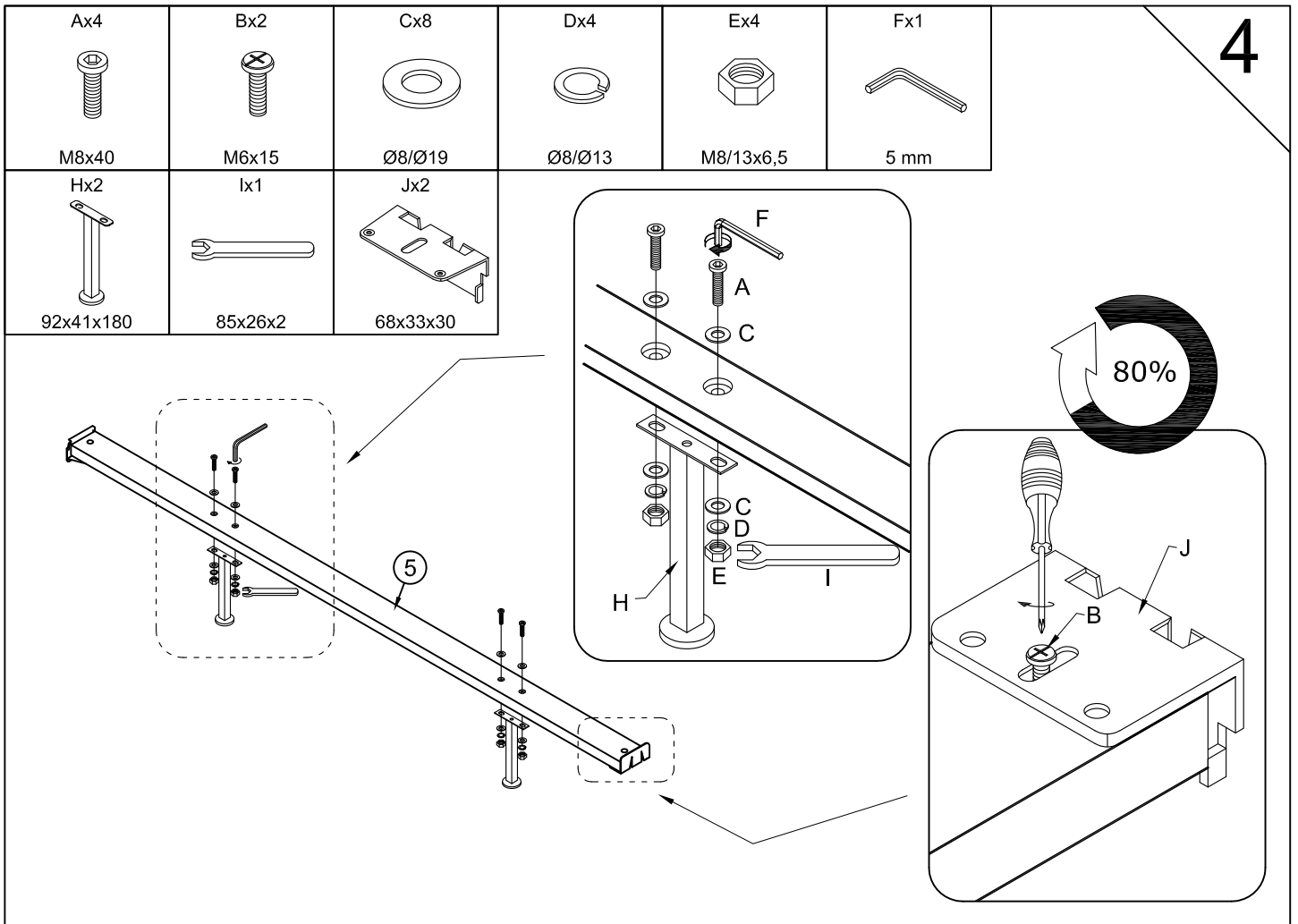
Kx12



Screw  
Ø5x25





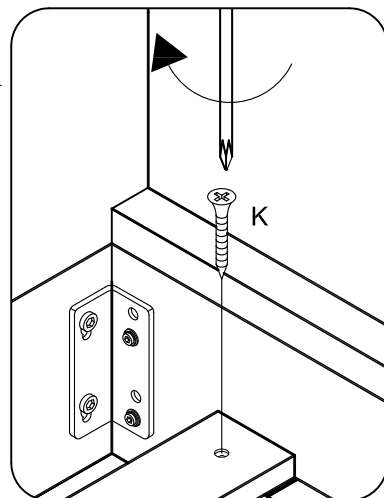
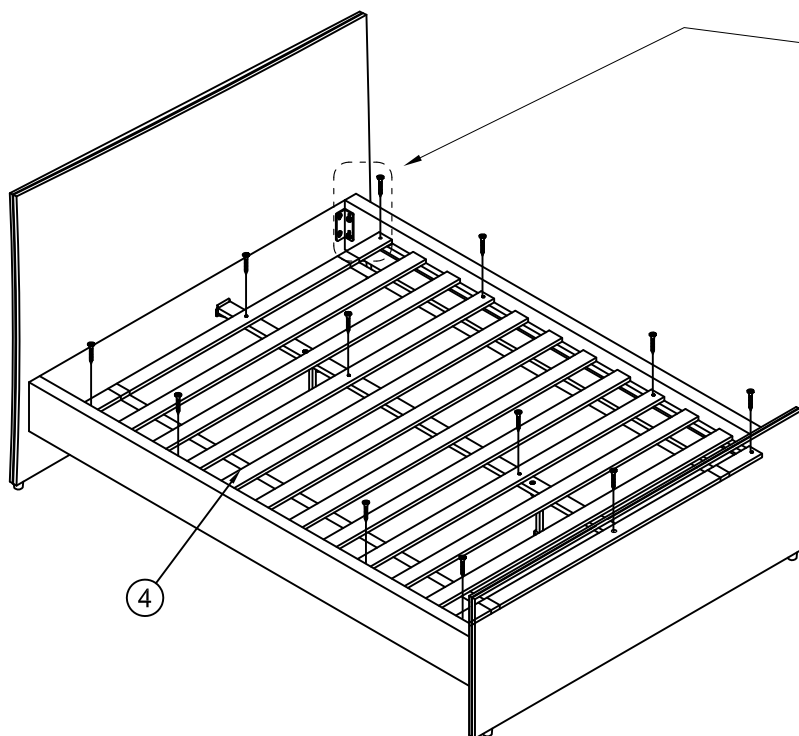


Kx12



Ø5x25

7



8

