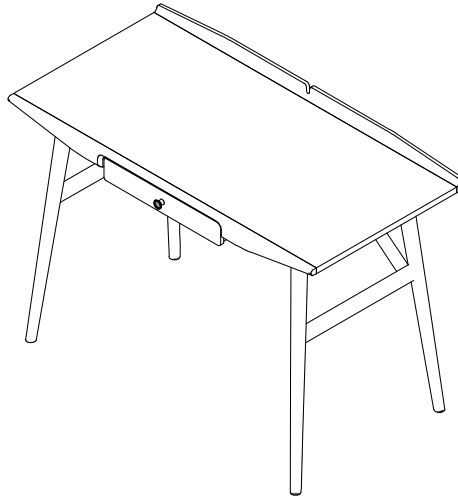


Oxford desk



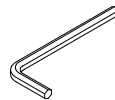
Please read the instructions carefully before use to ensure safe and satisfactory operation of this product.



Pre-assembly preparation

Please ensure instructions are read in full before attempting to assemble this product.

Necessary Tools



Please check the pack contents before attempting to assemble this product. A full checklist of components is given in this leaflet. If any components are missing, please contact the retailer from whom you bought this product.

This product is **HEAVY**, it should be assembled as near as possible to the point of use. **TAKE CARE WHEN LIFTING** to avoid personal injury and (or) damage to the product.

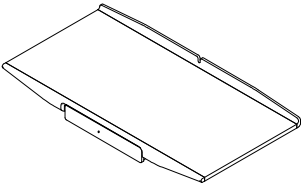
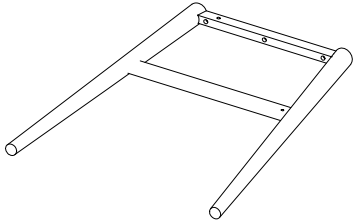
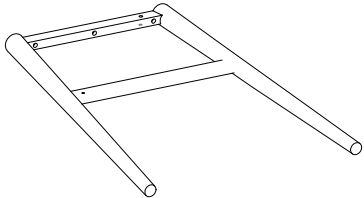

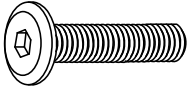
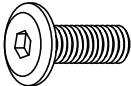
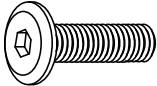

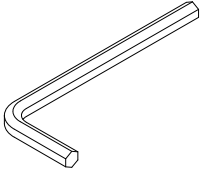
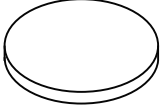
This product takes approximately **20 MINUTES** to assemble with **2 PEOPLE**.

The fittings pack contains **SMALL ITEMS** which should be **KEPT AWAY FROM YOUNG CHILDREN**.

Read this leaflet in full before commencing assembly.

PLEASE KEEP THESE INSTRUCTIONS FOR FUTURE REFERENCE

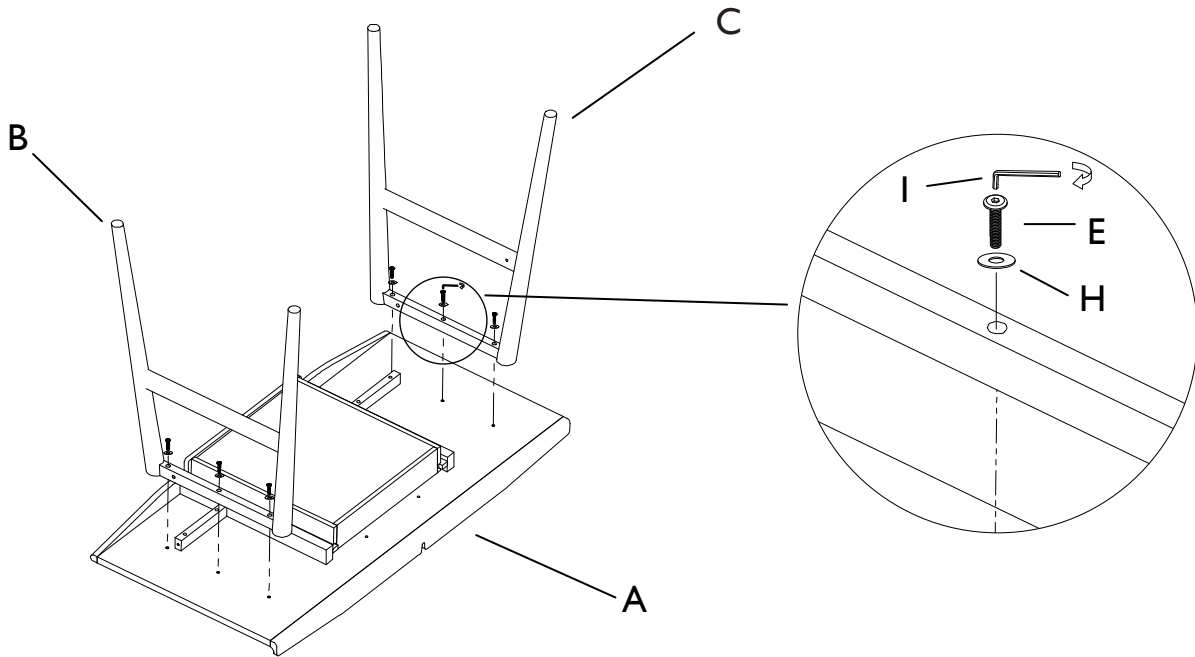
Fittings and parts checklist

A	Top x 1		B	Leg 1 x 1	
C	Leg 2 x 1		D	Brace x 2	
E	Bolt 1 x 6 50mm long		F	Bolt 2 x 4 25mm long	
G	Bolt 3 x 2 40mm long		H	Flat washer x 10	
I	Allen key x 1		J	Felt pad x 4	

Step by step assembly instructions

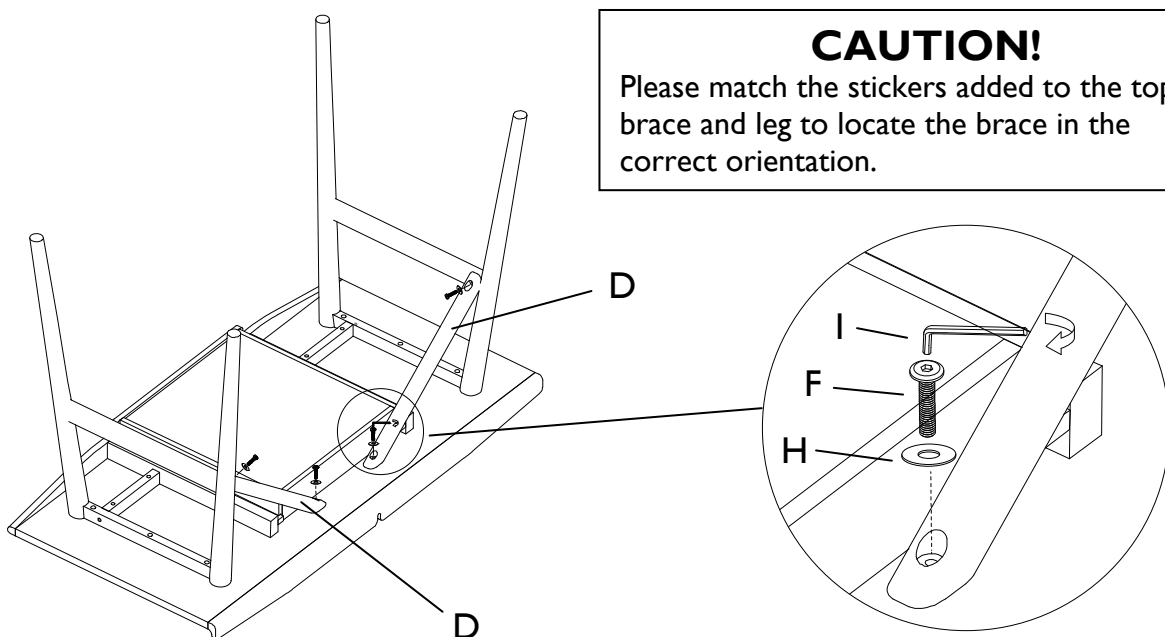
Step One

With 2 people, carefully place the Top (part A) upside down on a soft, flat surface near where the unit will be used. Locate the leg (part B & C) as shown below then secure using the flat head bolts (part E) with Flat washer (part H) and Allen key (part I)



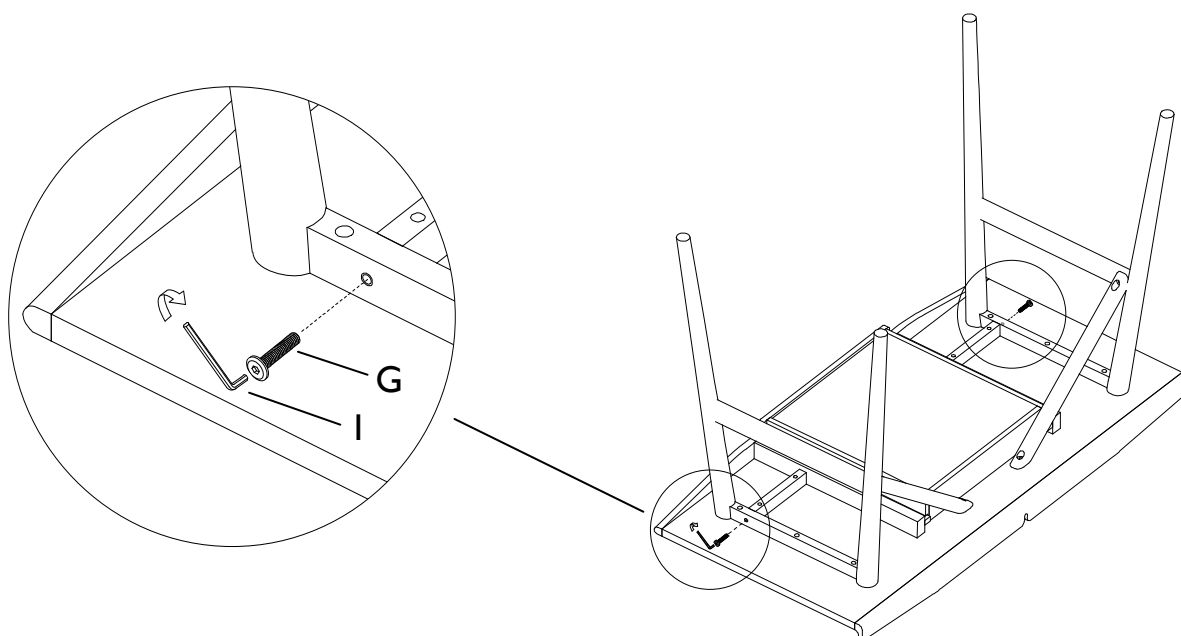
Step Two

Locate the Brace (part D) as shown below then secure using the allen bolts (part F) and allen key (part I).



Step Three

Secure using the Allen bolts (part G) and Allen key (part I).



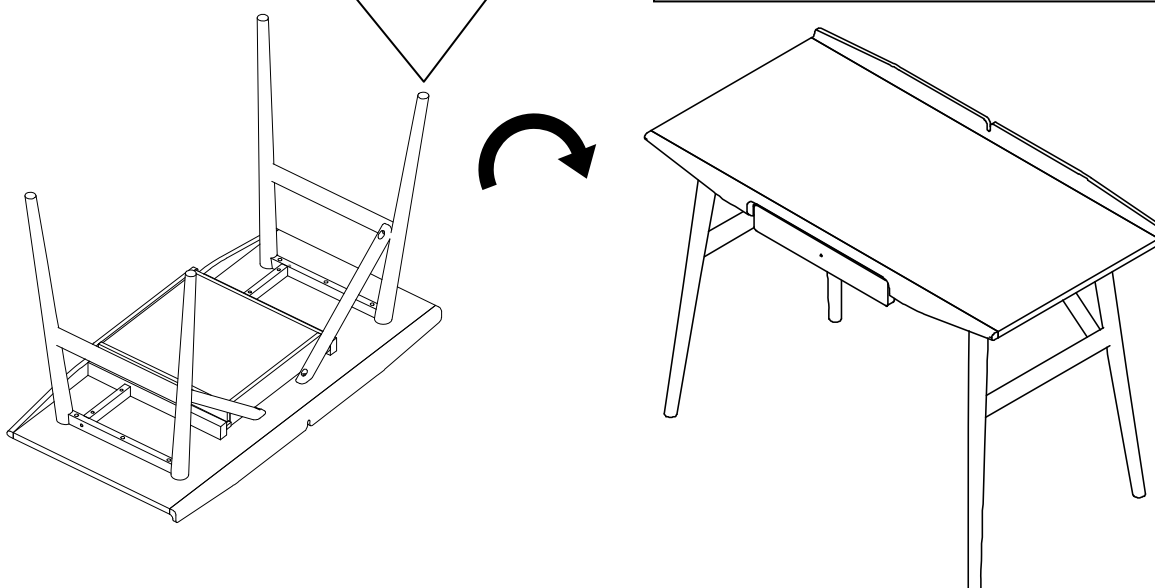
Step Four

With 2 people, carefully turn the table over and place in position.

If the product will be placed on a hard floor, we advise applying the felt pads (part J) to the bottom of the legs to prevent damage to the floor and the product.

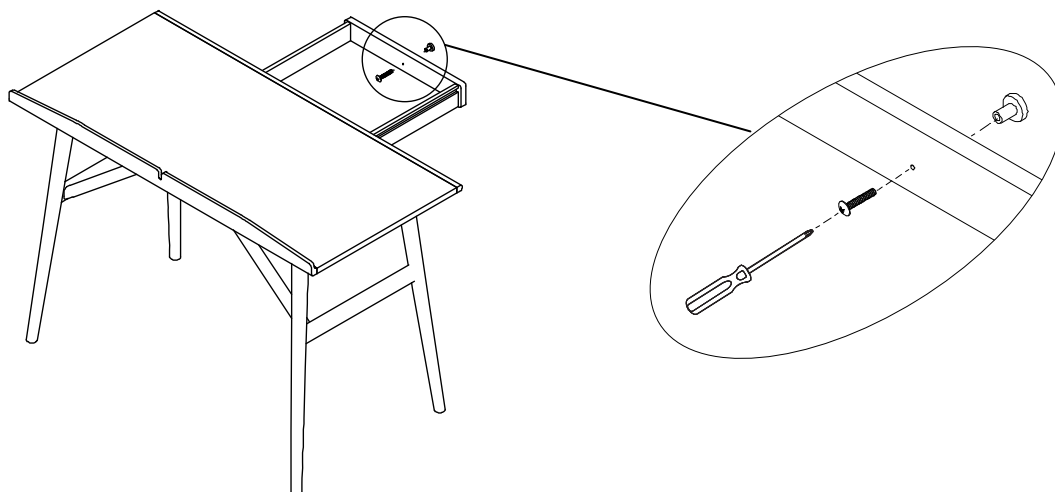
CAUTION!

Please take care when lifting, this unit is very heavy! Do not drag the unit when moving, must be lifted to prevent damaging the legs!



Step Five

Unscrew the handles from inside drawers. Reposition them to the front and screw them down again.



PLEASE READ!

This veneered product top has a natural open grain finish. Please read the care guide thoroughly. We recommend using mats and wiping up spilled liquids. Avoid placing plant pots or vases without waterproof mats to prolong the life of this product.

Care and Maintenance

Wood furniture

- Wood displays different grain patterns depending on which way they cut - for example, the 'medullaryray' which can appear is a mark of good quality timber - these are just characteristics of the natural beauty of the wood. Some furniture is also deliberately aged and rustic.
- Wood veneers also allow distinctive patterns to be created on flat surfaces, such as table tops and drawer fronts by the way the slivers are arranged.
- All timber surfaces will change colour and mellow over time. New furniture will initially vary in shade from items that have been previously purchased.

How to care for your wood furniture

- Furniture with a hard lacquer, wax polish or painted surface should be dusted with a dry cloth.
- Spray polishes are best avoided as they contain silicones which may spoil the furniture's surface by building up over time.
- Make sure all surfaces are protected from heat and liquids by mats and coasters. Wipe up spills immediately and ensure that a mat or pad is placed under paper if you are writing.
- Our furniture will endure most temperatures in the home but it is best to avoid placing furniture next to heat sources such as radiators or fires. Be particularly careful with solid wood as the lack of humidity caused by central heating can cause damage such as warping.

Safety Instructions

- Never drag furniture when moving it, always lift it.
- Periodically check all fixings to ensure none have come loose and re-tighten where necessary.
- Please take care when handling or moving the furniture, careless handling may cause damage or injury.
- Furniture can be dangerous if incorrectly installed. Assembly should be carried out by a competent person. No liability will be accepted for damage or injury caused by incorrectly installed or assembled furniture.
- It is recommended that before moving heavy objects to a new location they are completely disassembled to avoid personal injury or damage to the furniture. Please be careful to retain all fittings when doing this.



WARNING:

It is **STRONGLY RECOMMENDED** that you **ANCHOR** this product.

Toppling furniture can cause serious injuries and death.

This product has not been fitted with an anchor strap/bracket.

To prevent your furniture from tipping forward it is strongly recommended that you **securely attach this product** to a wall or other solid surface, using the anchor straps/brackets provided and appropriate fixings.

IMPORTANT:

Regularly check that anchors are securely maintained.

Use safety **drawer locks** to prevent children climbing.

Stability of tall items may be affected by thick pile carpet or uneven floors.

Do not place unanchored televisions on furniture

CAUTION:

For your safety when attaching the anchor fixings, please note the following:

- Check for any electrical wires or plumbing inside the wall before drilling any holes (if you are unsure please seek professional advice from a qualified tradesperson)
- Walls are constructed from different materials, for example, masonry (solid brick) or plasterboard lined cavity walls (hollow). It is important that you use the appropriate wall fixings for your wall type.
- Your local hardware store will have the necessary drills and fixings and can offer advice if needed. If in doubt, engage the services of a qualified tradesperson to install and anchor the product.

ANCHOR points fitting

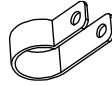
F x 1



G x 2



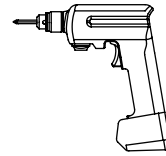
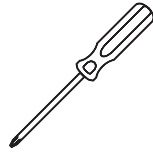
H x 2



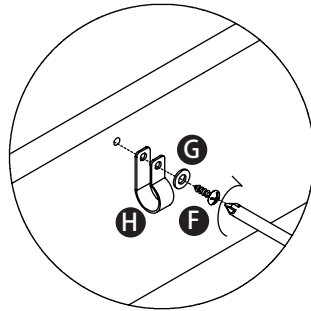
I x 1



Required Tool

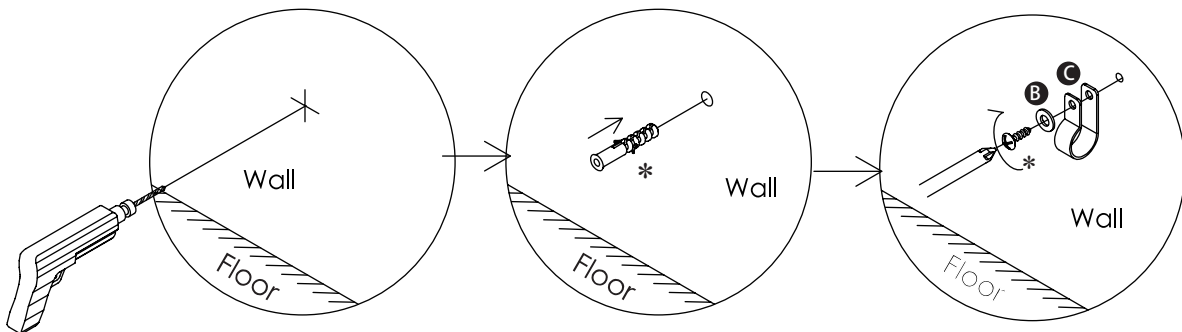


Step 1: fix the fittings on the back of product.



Step 2: Example of fixing the fittings on the wall.

* Not supplied, it depends on the material and circumstances of the wall



Step 3: Use strap connect product with the wall

