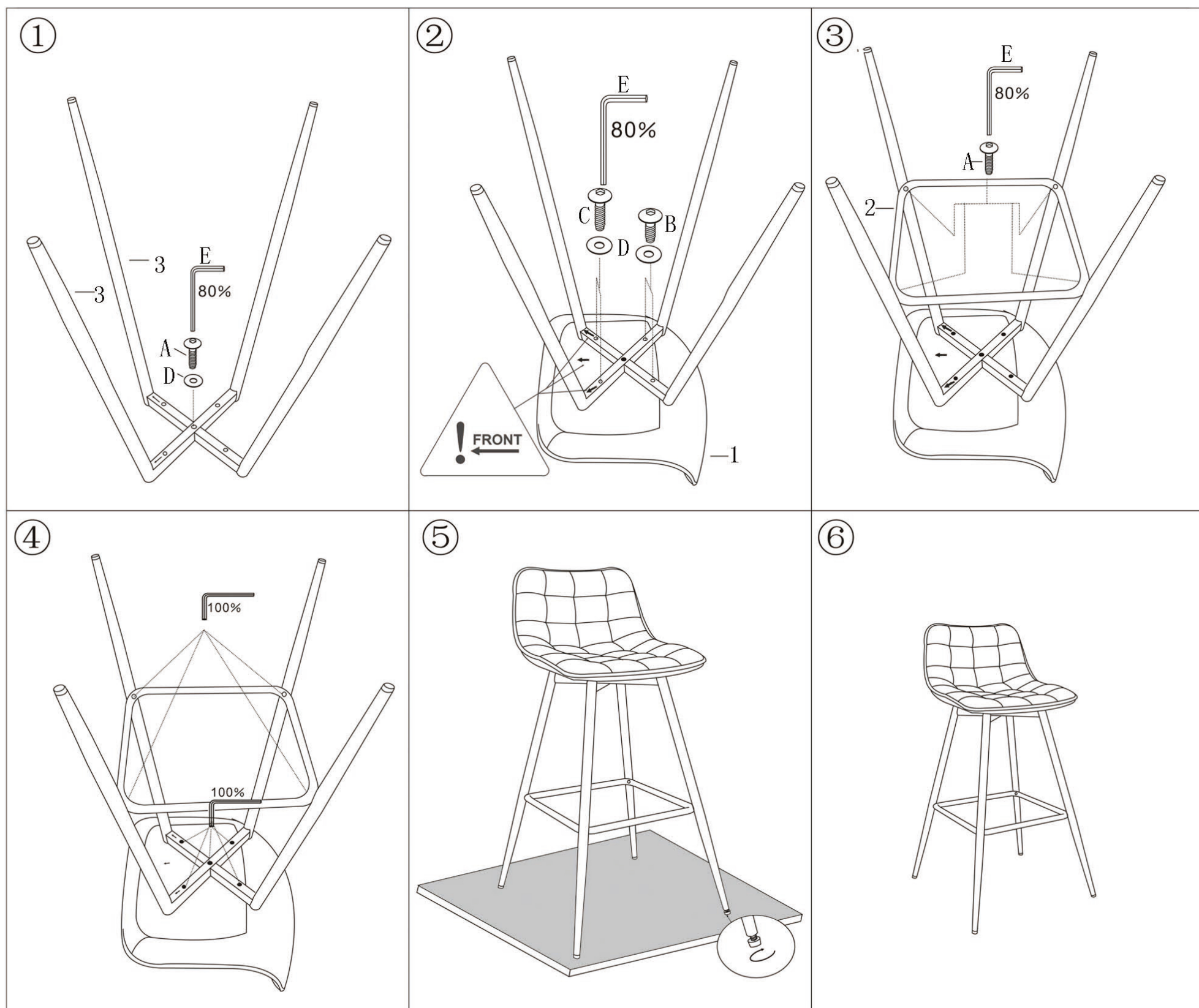


ASSEMBLY INSTRUCTIONS

HR MONTREAL COUNTER STOOL

Please read instructions carefully. Remove all wrapping material, staples and packing straps from the carton. See Hardware and Furniture Parts List for guidance. Be sure you have all parts before you start assembling. Place all wooden furniture parts on a clean and flat soft surface, such as carpet or rug to prevent from being scratched.



PARTS INCLUDED

1. SEAT PAD	: 1PC
2. LEG BRACKET	: 1PC
3. METAL LEGS	: 2PC

HARDWARE LIST

A. SCREW	M6x30mm	: 5PCS	
B. SCREW	M6x45mm	: 2PCS	
C. SCREW	M6x50mm	: 2PCS	
D: WASHER		: 5PCS	
E. ALLEN KEY		: 1PC	

ASSEMBLY INSTRUCTIONS

HR MONTREAL COUNTER STOOL

Please read instructions carefully. Remove all wrapping material, staples and packing straps from the carton. See Hardware and Furniture Parts List for guidance. Be sure you have all parts before you start assembling. Place all wooden furniture parts on a clean and flat soft surface, such as carpet or rug to prevent from being scratched.

FOR ASSEMBLY

There are 3 x Screw Lengths that must be used in correct holes (screws A, B & C).

Please check instructions carefully C & B screws are different lengths.

Before you begin assembly:

Check the content to make sure that nothing is missing

Sort out the parts and fittings as shown

It is preferable to rest the product on a soft surface (such as a rug) to avoid damage during assembly.

Step 1: Tighten the screws only a little so the legs can still turn

Step 2: After assembling the footrest, finish tightening bolts at the top of the legs