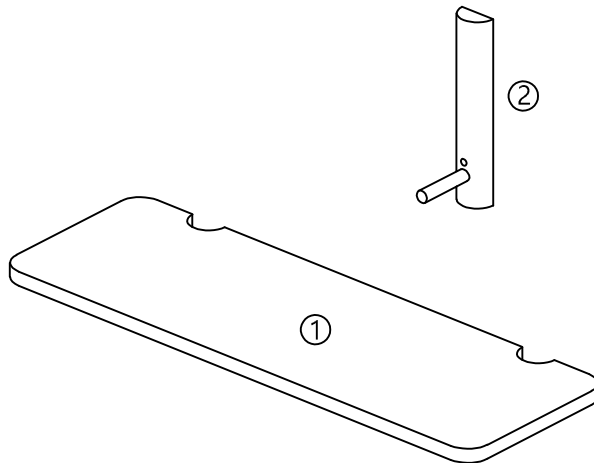


ASSEMBLY INSTRUCTIONS

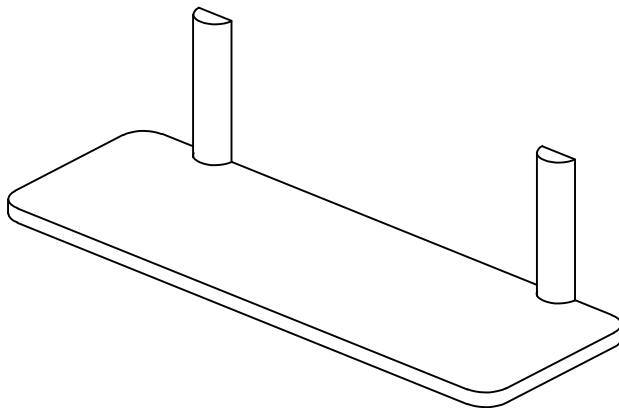
55103 - NOAH WALL SHELF 2 PACK

Please read instructions carefully. Remove all wrapping material, staples and packing straps from the carton. See hardware and furniture parts list for guidance. Be sure you have all parts before you start assembling. Place all wooden furniture parts on a clean, flat, soft surface; such as a carpet or rug to prevent the item from being scratched.



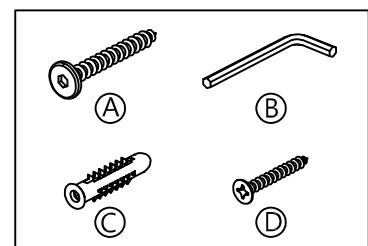
PARTS INCLUDED

- | | |
|----------------|--------|
| 1. Shelf Panel | : 2pcs |
| 2. Support | : 4pcs |



HARDWARE LIST

- | | |
|---------------------|--------|
| A. Allen Head Screw | : 4pcs |
| B. Allen Key | : 1pc |
| C. Rawl Plug | : 4pcs |
| D. Screw | : 4pcs |



FOR ASSEMBLY

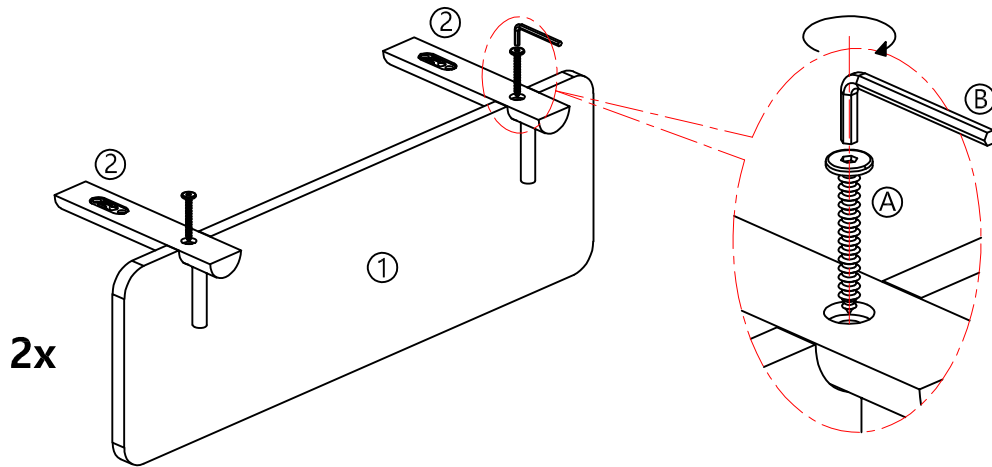
- First, check the contents to make sure that nothing is missing.
- Sort out the parts and fittings as shown, assemble product step by step.
- It is preferable to rest the product on a soft surface to avoid damage during assembly.
- Do not overtighten screws and fittings.
- Re-tighten all screws and fittings periodically.

ASSEMBLY INSTRUCTIONS

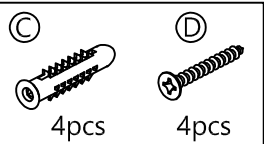
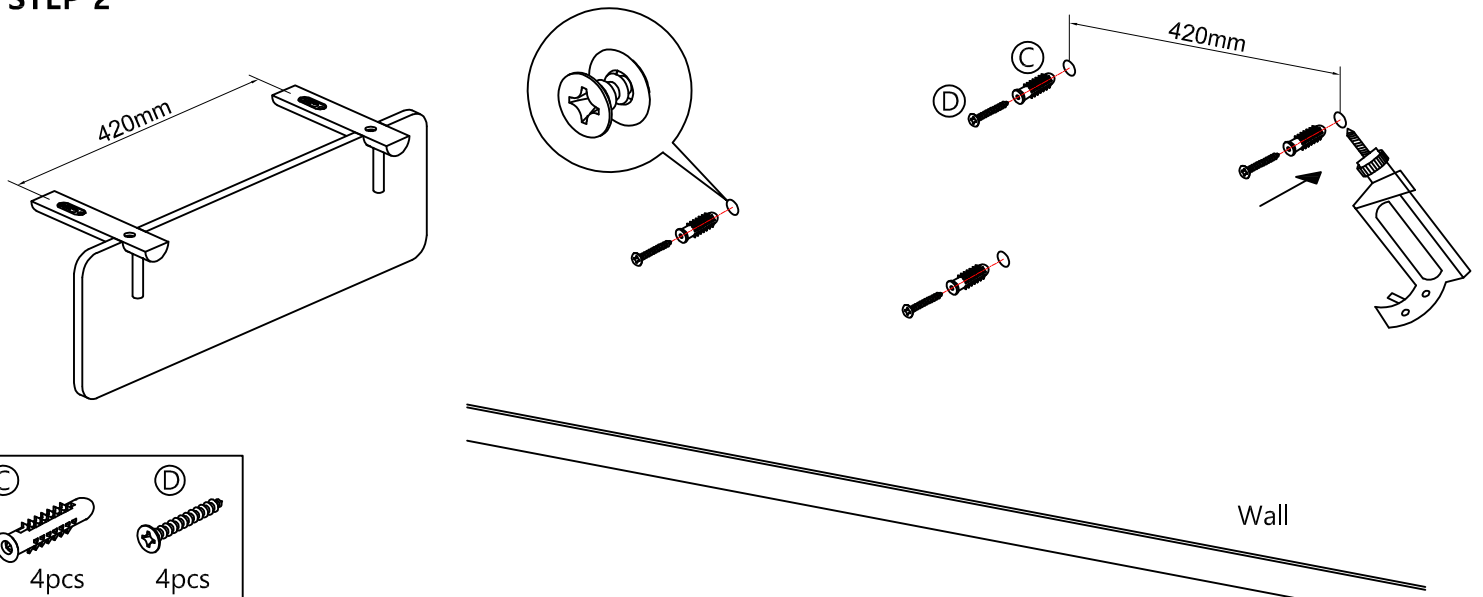
55103 - NOAH WALL SHELF 2 PACK

adairs kids

STEP 1



STEP 2



STEP 3

