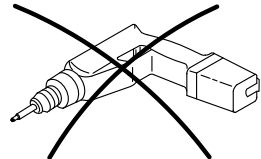
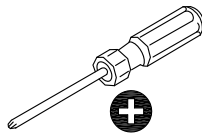
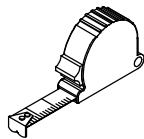
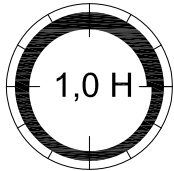
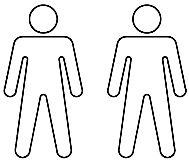
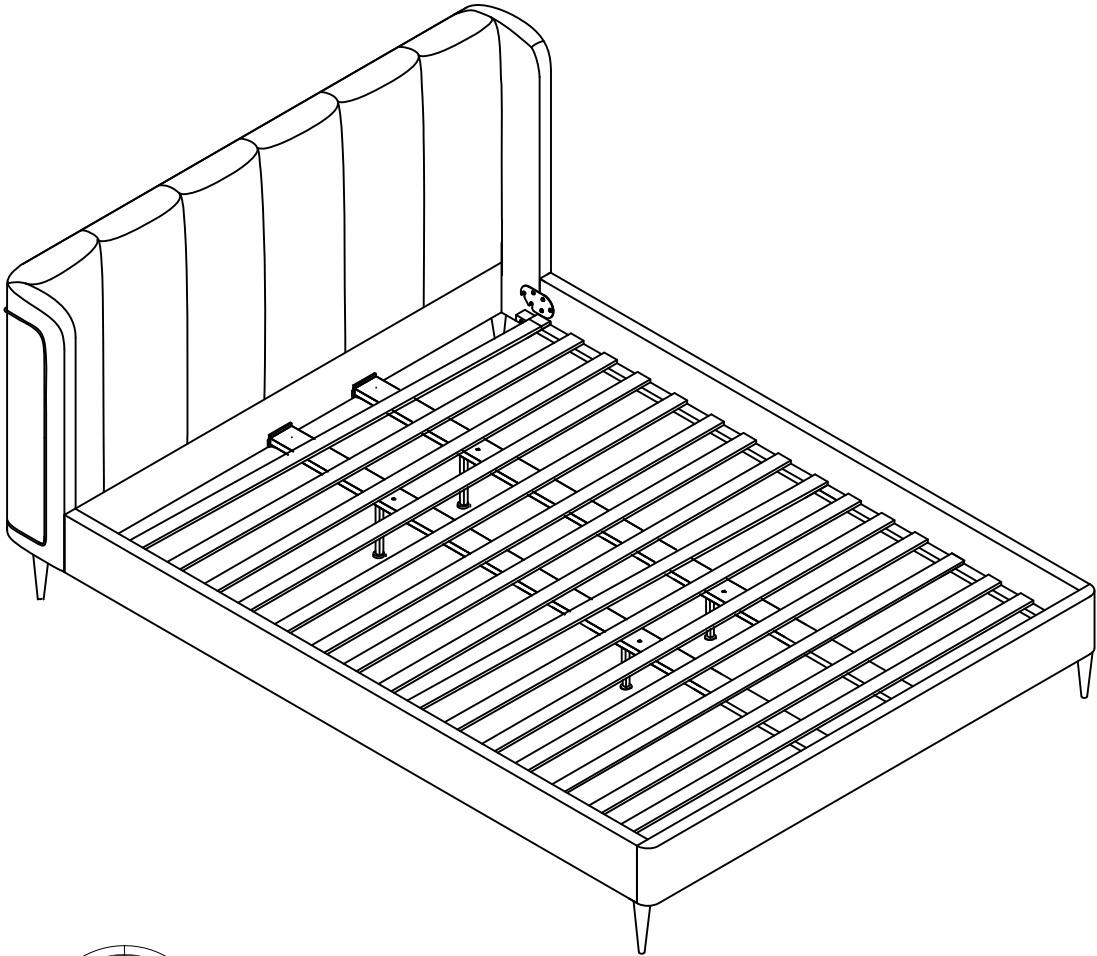


ASSEMBLY INSTRUCTIONS

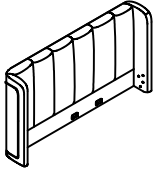
BELFORT QUEEN FULL BED

Please read instructions carefully. Remove all wrapping material and packing from the carton. See hardware and furniture parts list for guidance. Be sure you have all parts before you start to assemble the product. Place all furniture parts on a clean surface, such as carpet or rug to prevent the item from being scratched.



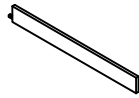
Part list:

1 x Part 1



Headboard

1 x Part 2



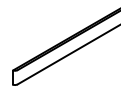
Side rail left

1 x Part 3



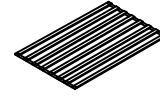
Side rail right

1 x Part 4



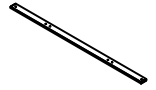
Footboard

2 x Part 5



Slats

2 x Part 6



Middle support

4 x Part 7



Leg

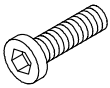
4 x Part 8



Support leg

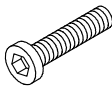
Hardware list:

Ax28



Bolt
M8x25

Bx8



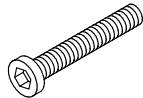
Bolt
M8x35

Cx4



Bolt
M6x15

Dx2



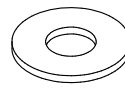
Bolt
M8x70

Ex8



Nut
M8/13

Fx38



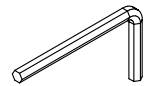
Washer
Ø8/Ø19

Gx30



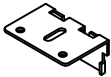
Spring washer
Ø8/Ø13

Hx1



Allen key
5mm

Jx4



Bracket
68x47x32

Kx2



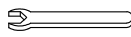
Connecting plate
207x120x3

Lx4



Felt
Ø25x3

Mx1

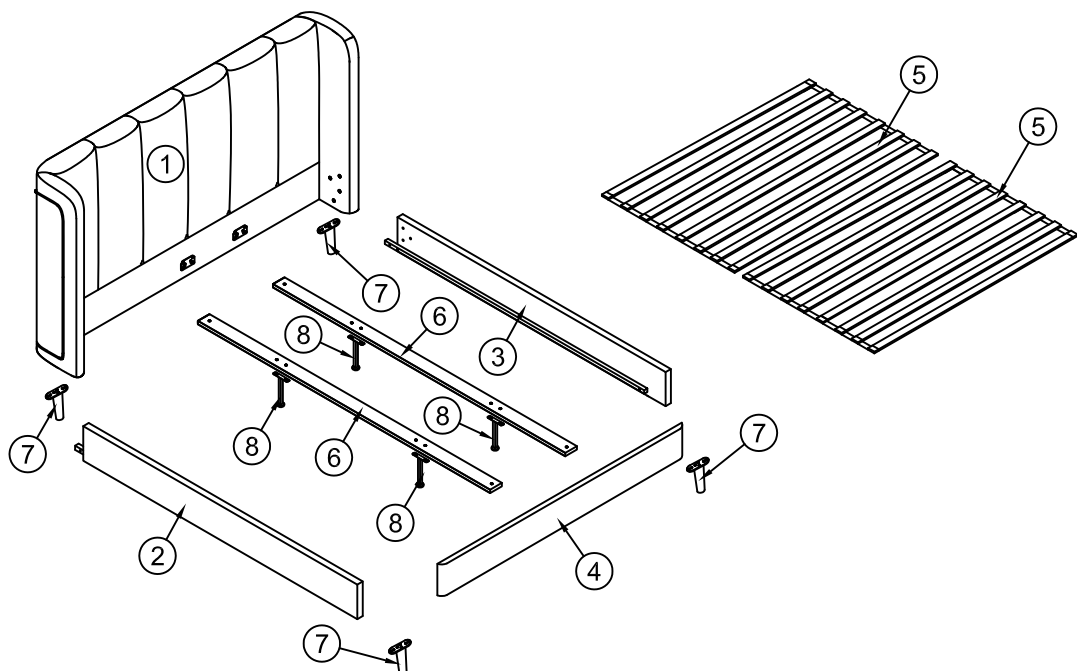


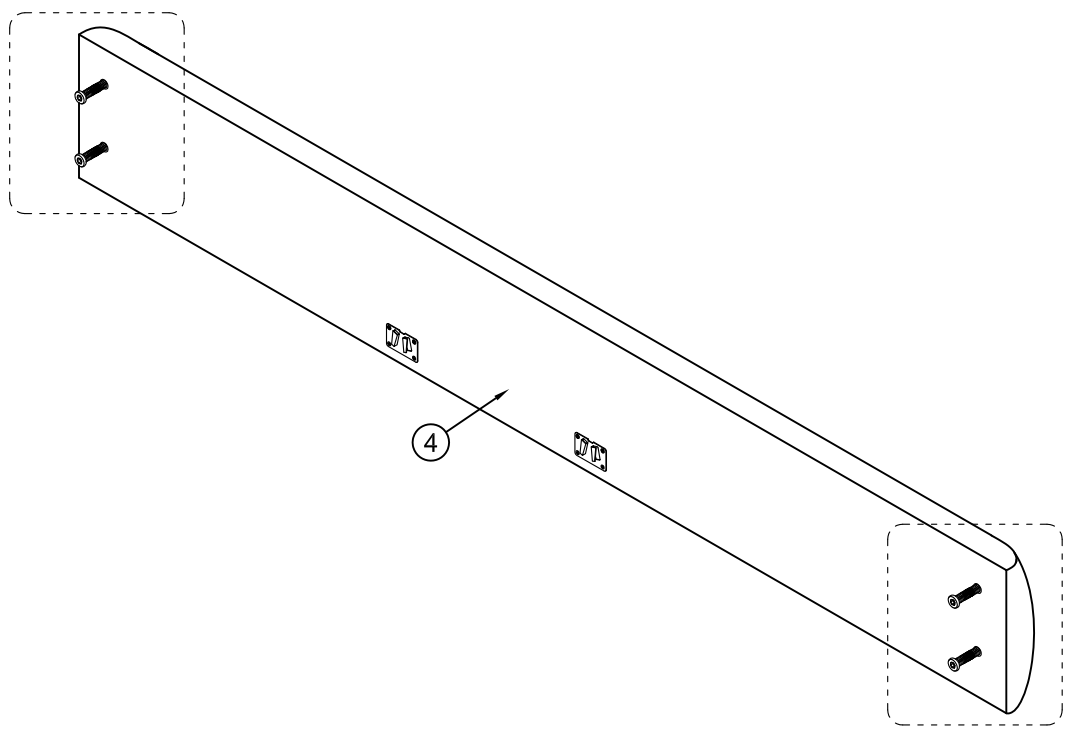
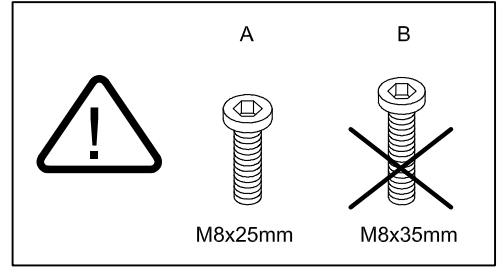
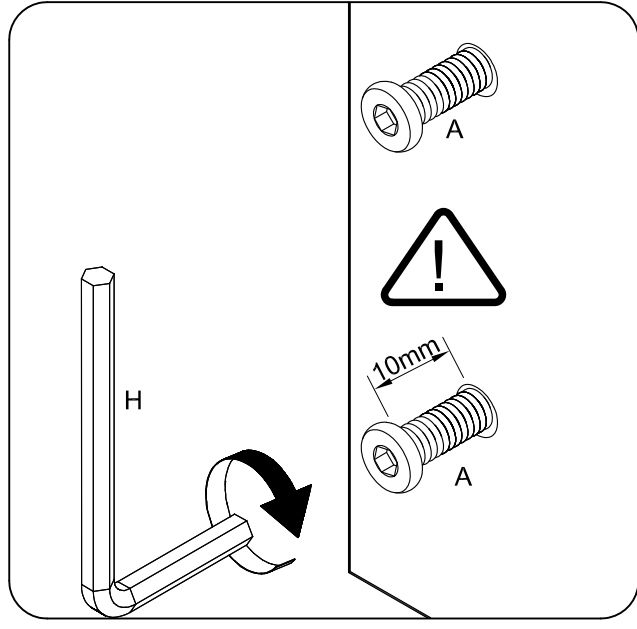
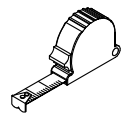
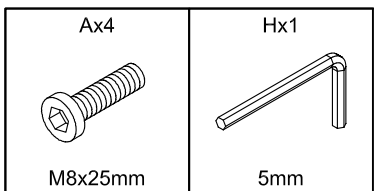
Spanner
13

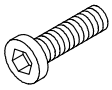
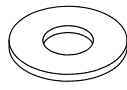
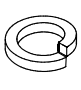
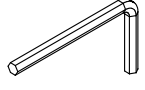

Nx2

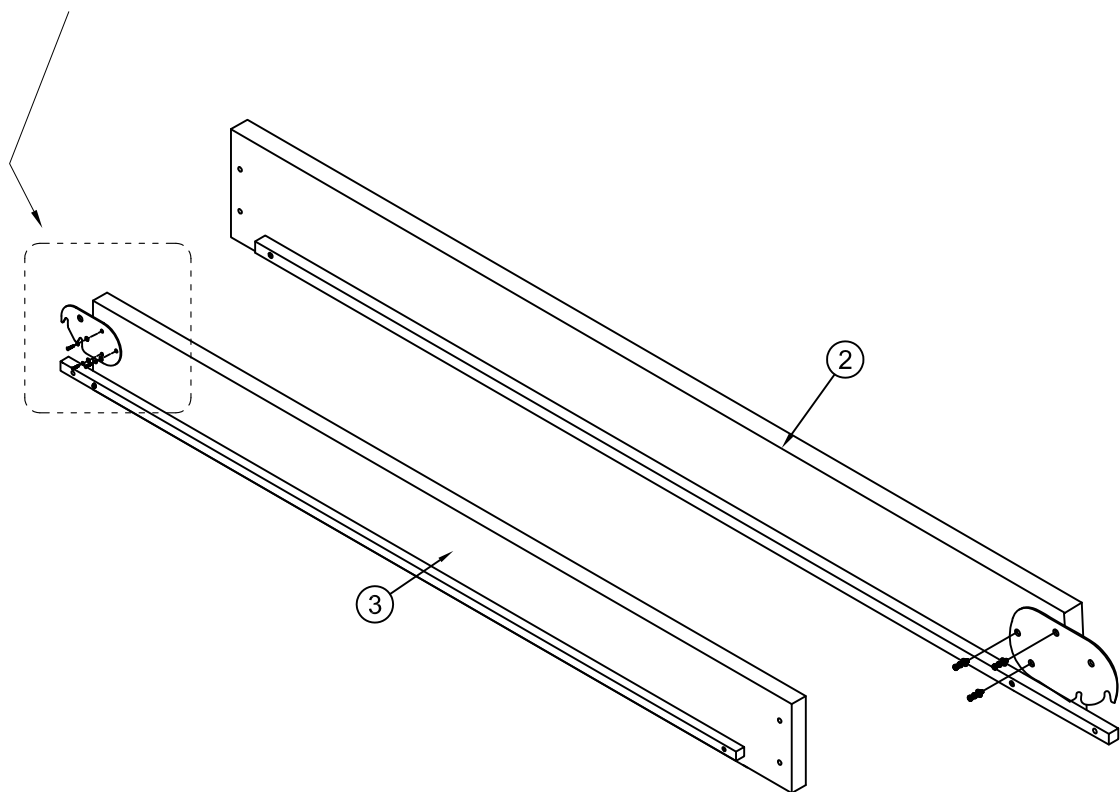
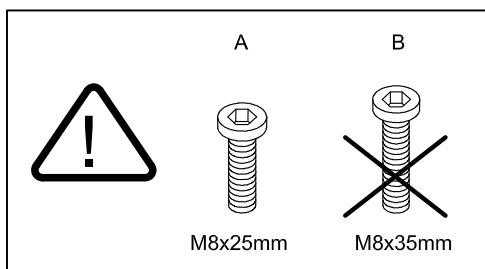
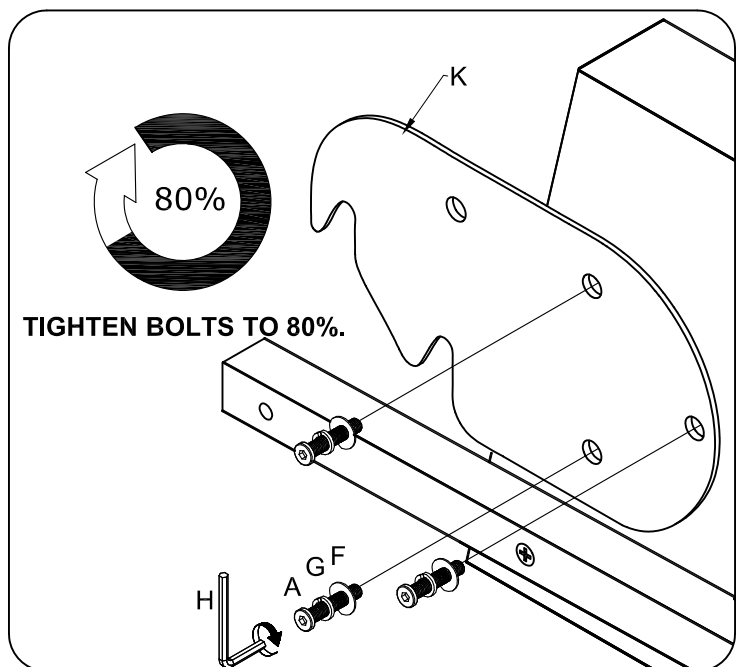


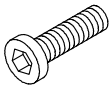
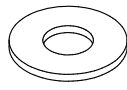
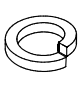
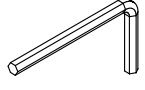
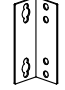
Bracket
130x47x47

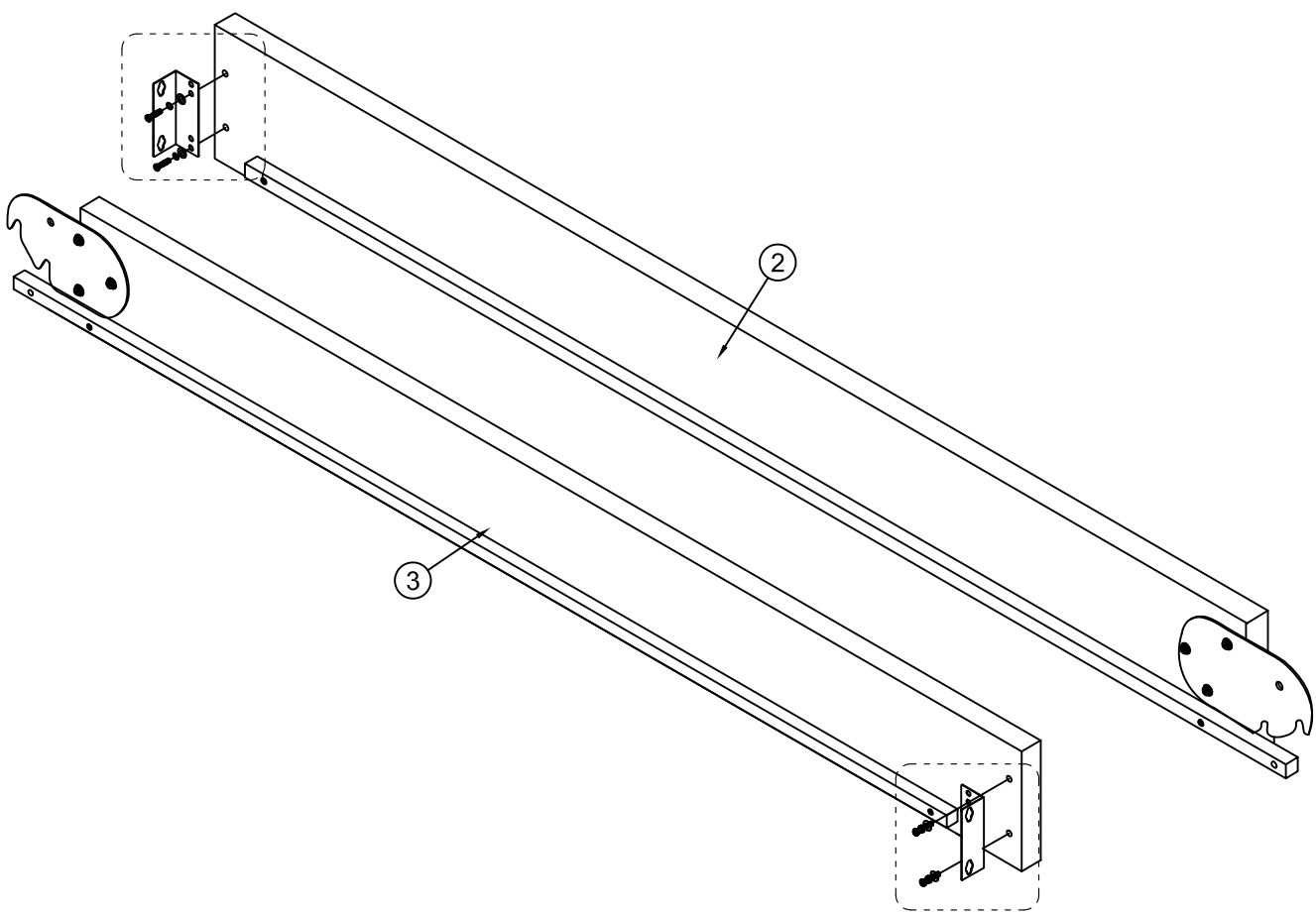
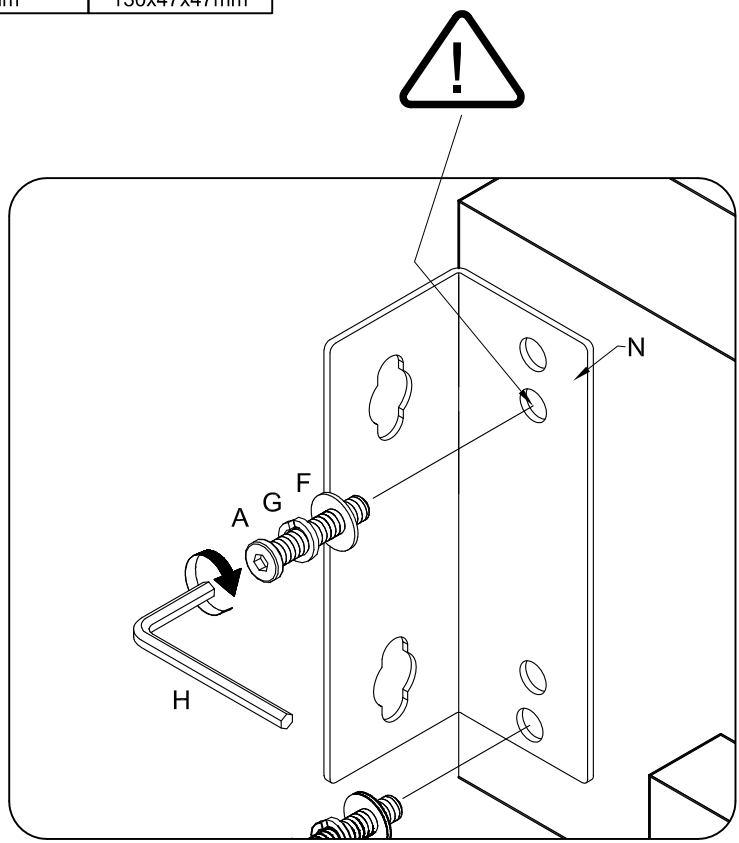
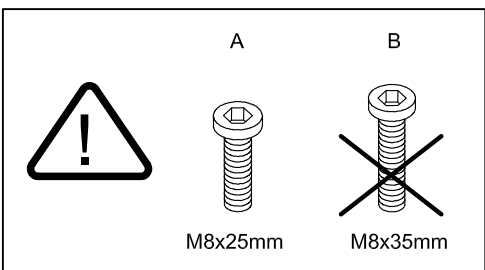


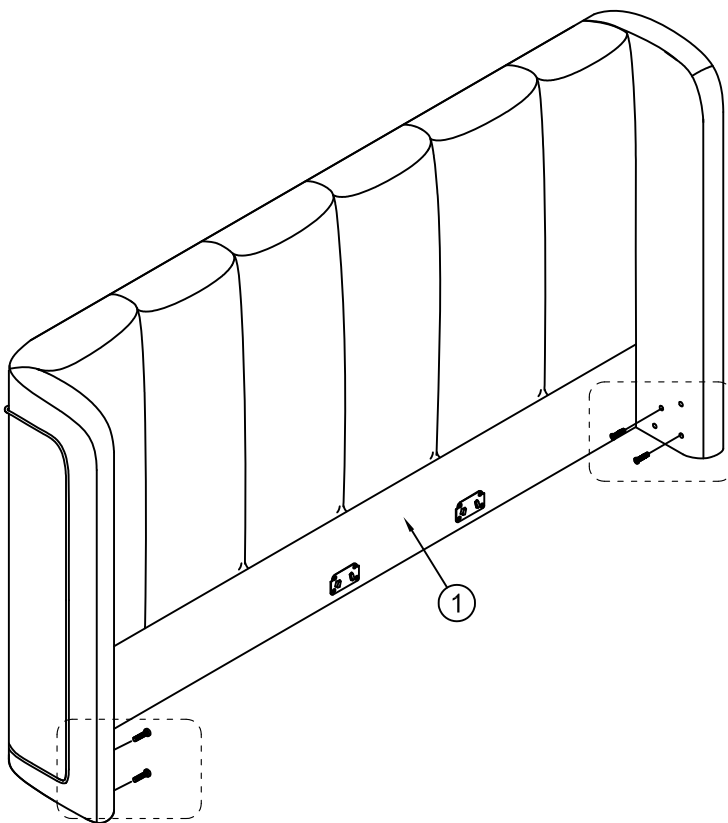
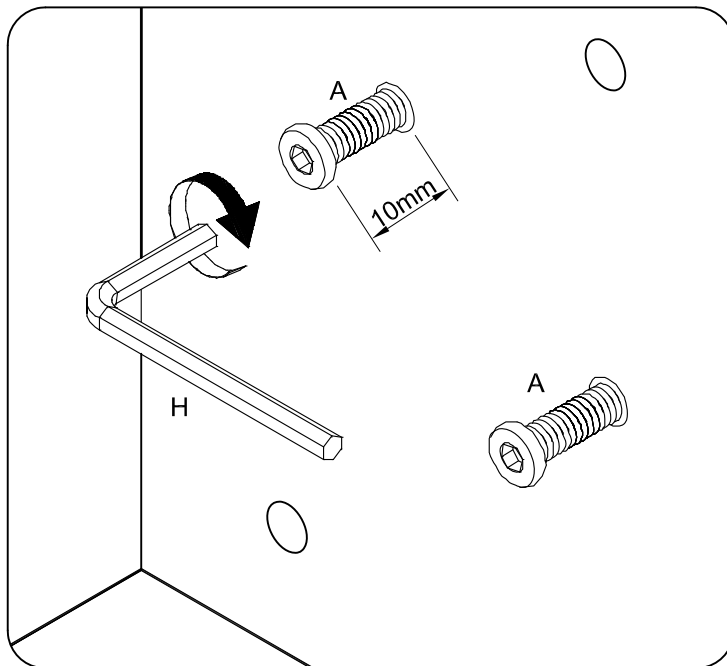
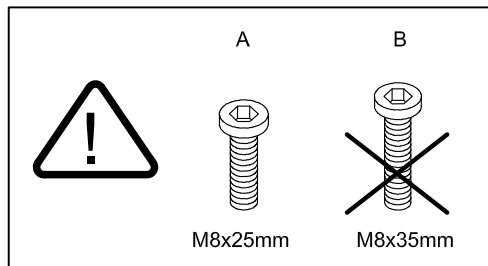
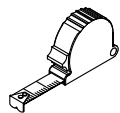
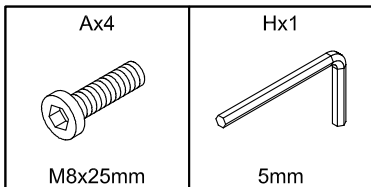


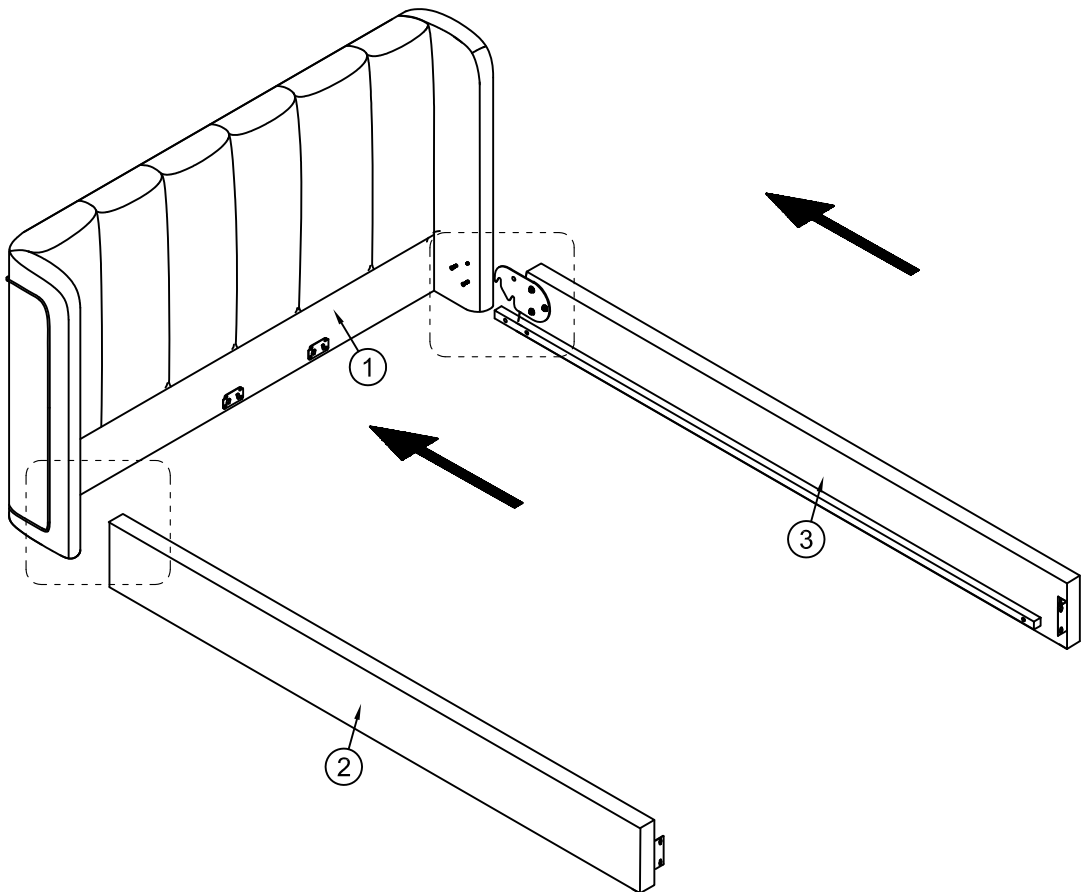
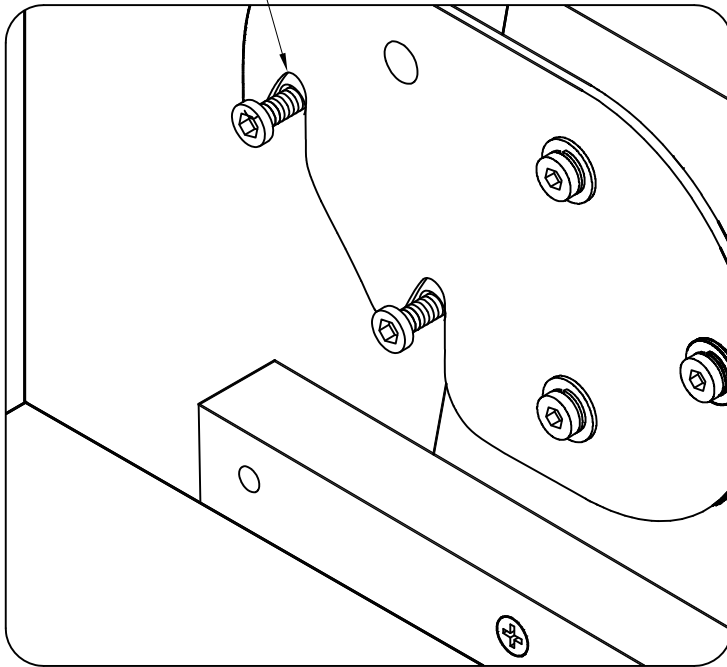
Ax6  M8x25mm	Fx6  Ø8/Ø19mm	Gx6  Ø8/Ø13mm	Hx1  5mm	Kx2  207x120x3mm
---	--	--	---	---

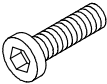
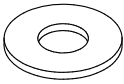
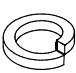
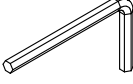


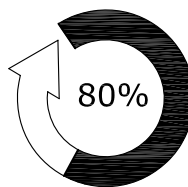
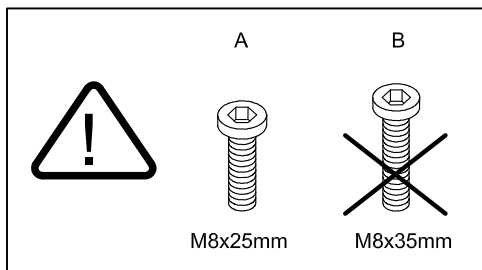
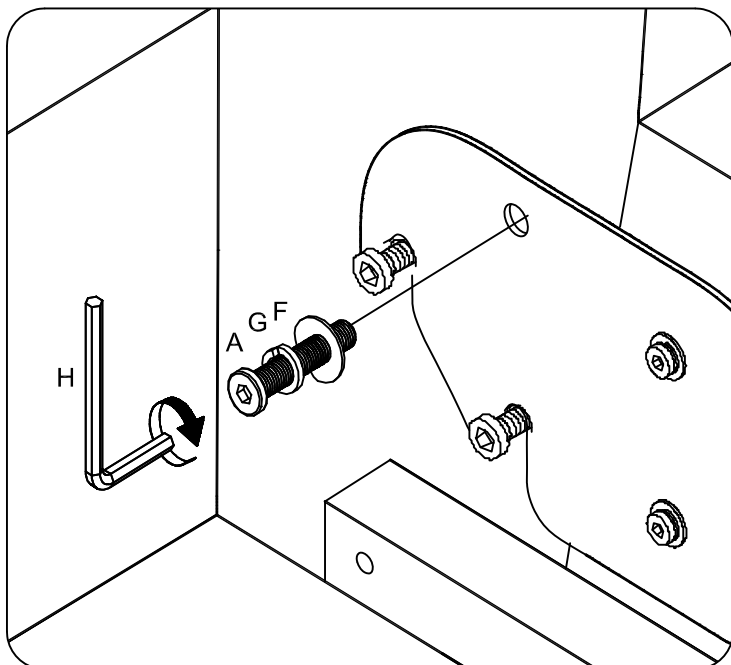
Ax4  M8x25mm	Fx4  Ø8/Ø19mm	Gx4  Ø8/Ø13mm	Hx1  5mm	Nx2  130x47x47mm
---	--	--	---	---



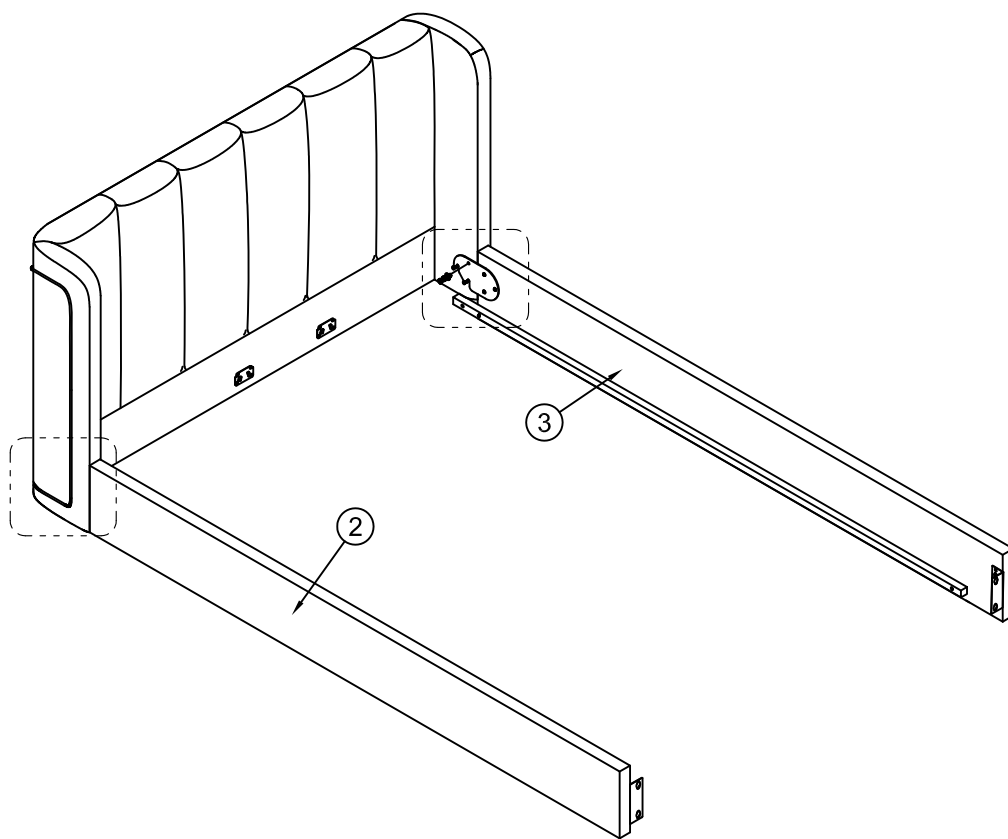


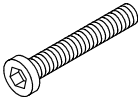
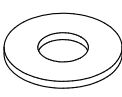
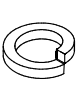
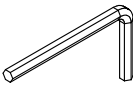


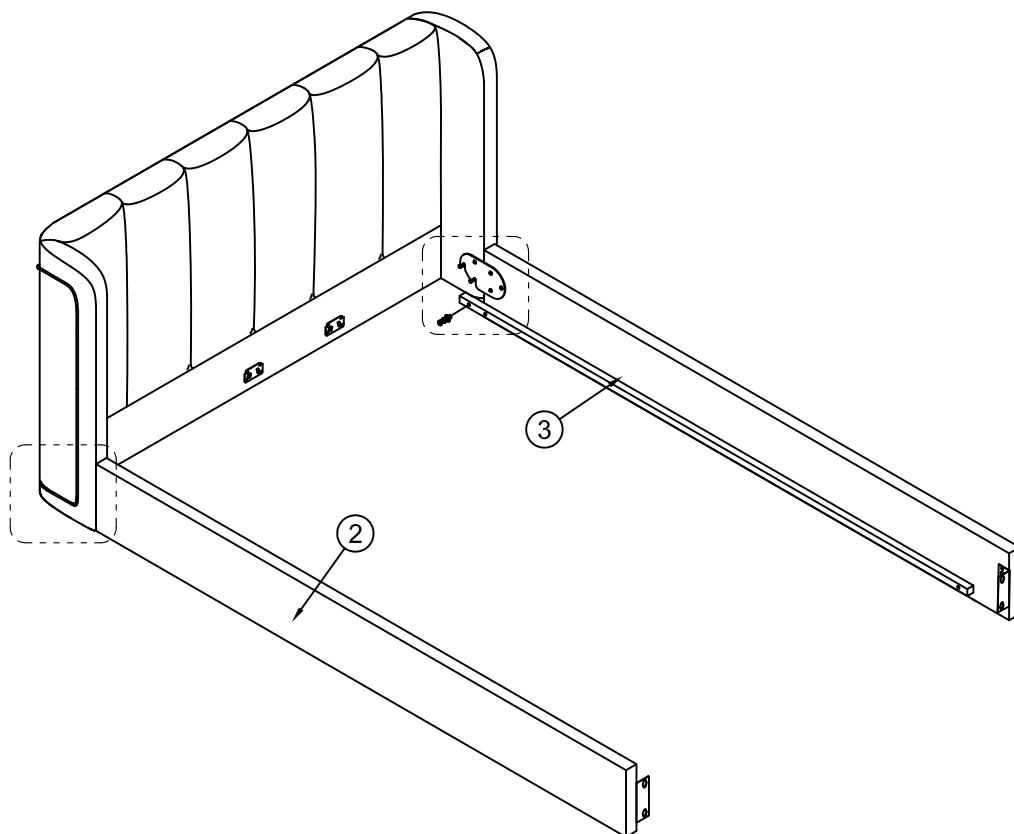
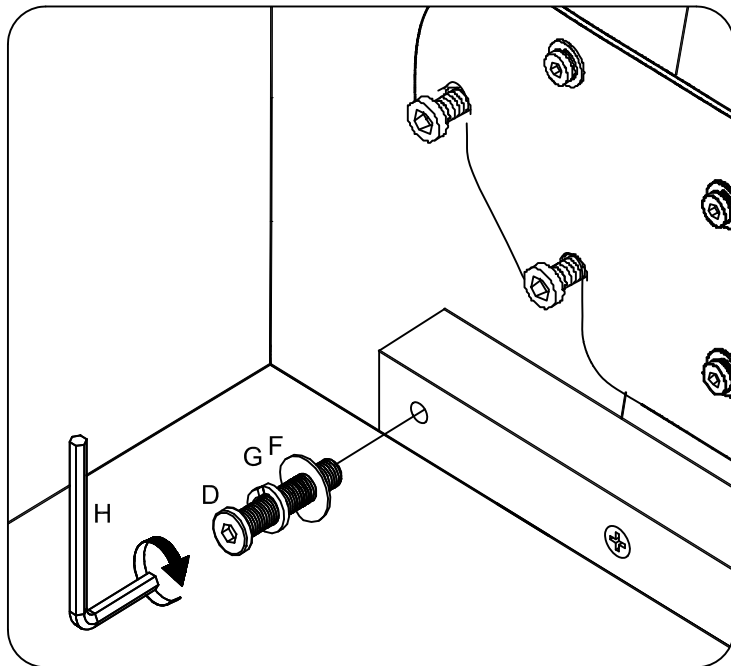
Ax2  M8x25mm	Fx2  Ø8/Ø19mm	Gx2  Ø8/Ø13mm	Hx1  5mm
---	--	--	---

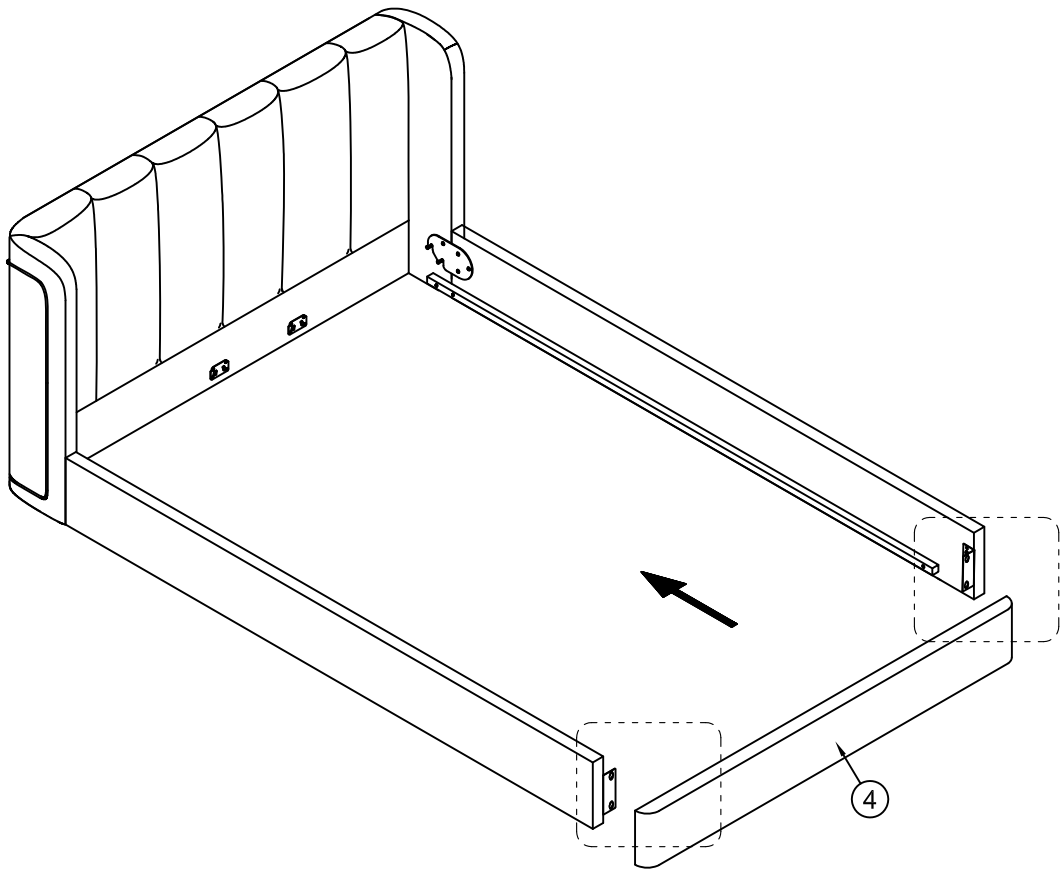
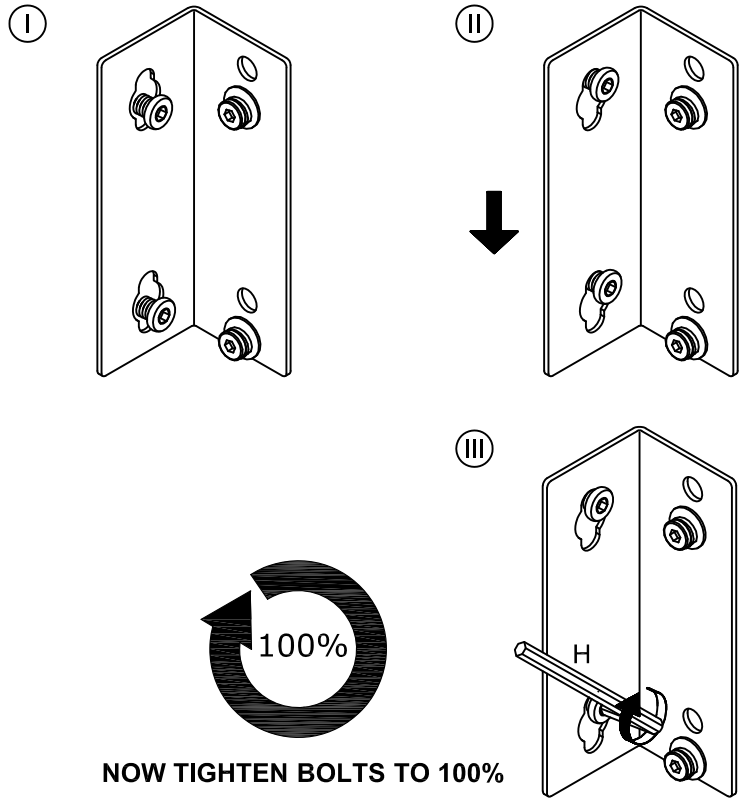
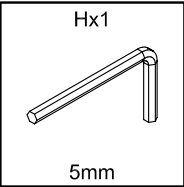


TIGHTEN BOLTS TO 80%.

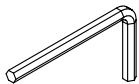


Dx2  M8x70mm	Fx2  Ø8/Ø19mm	Gx2  Ø8/Ø13mm	Hx1  5mm
--	--	--	---

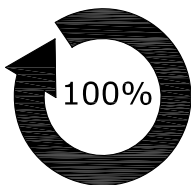




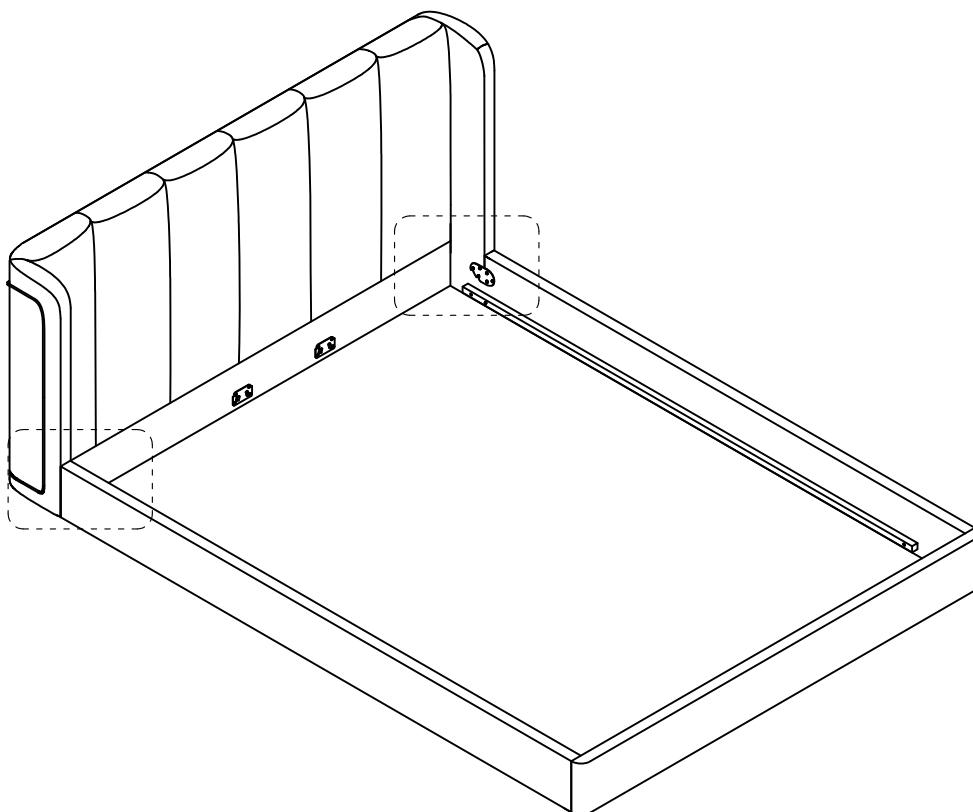
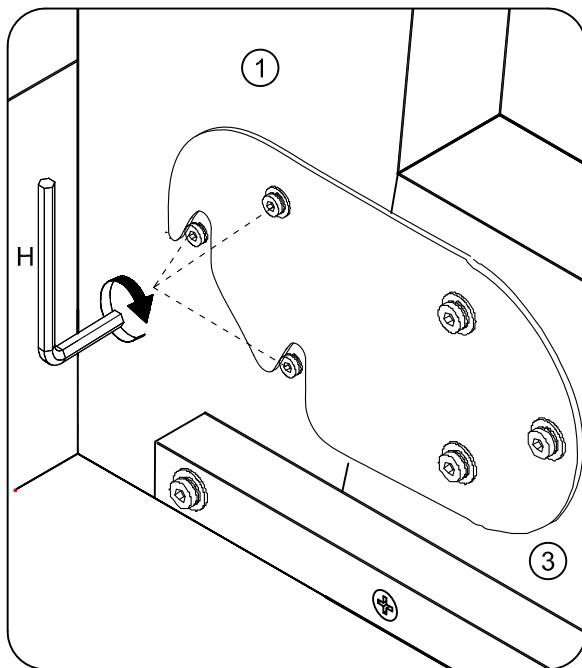
Hx1



5mm



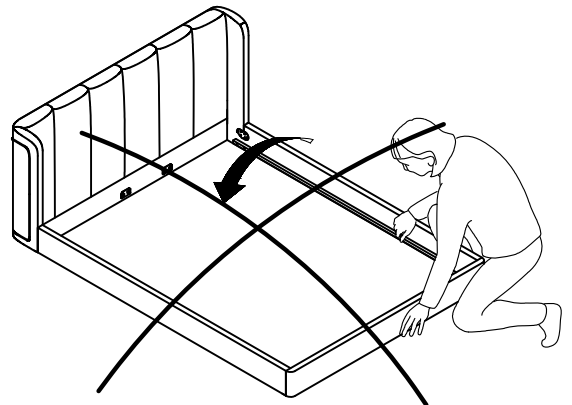
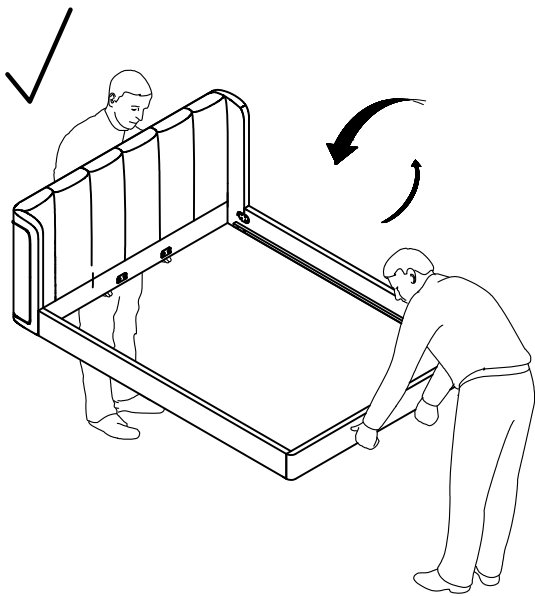
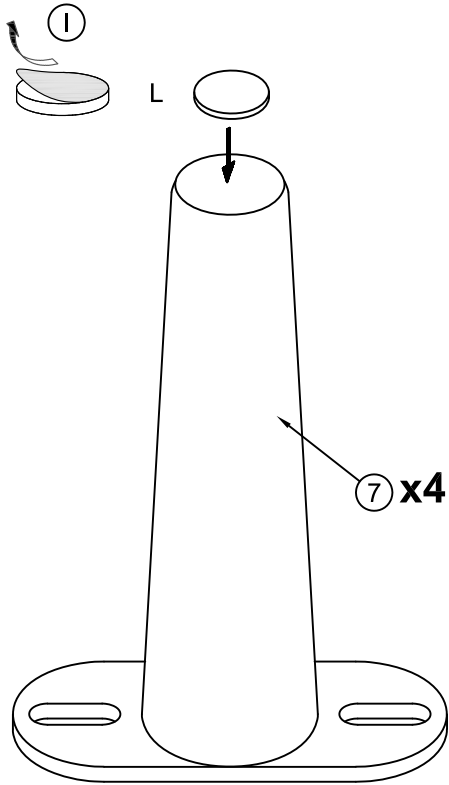
NOW TIGHTEN BOLTS TO 100%



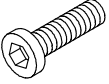
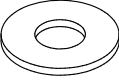
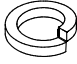
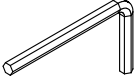
Lx4

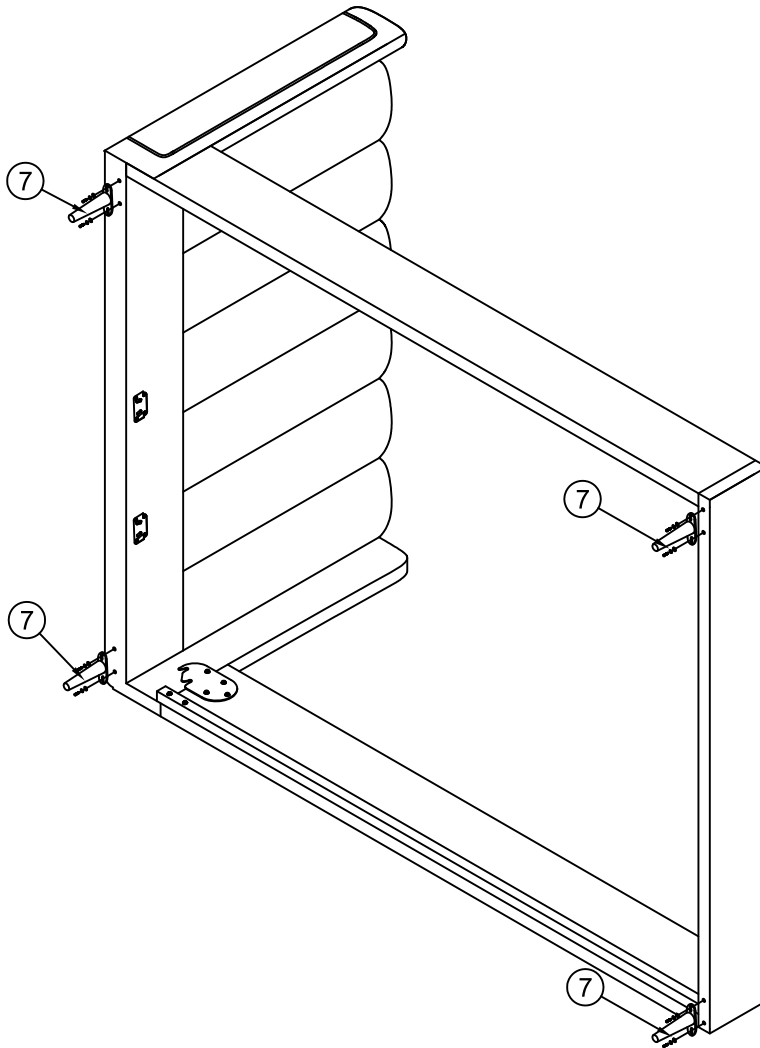
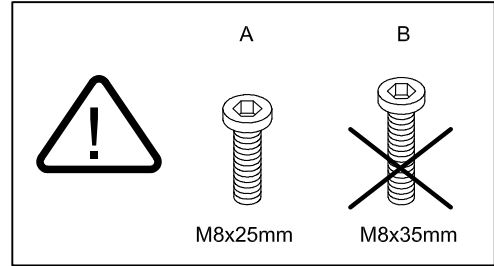
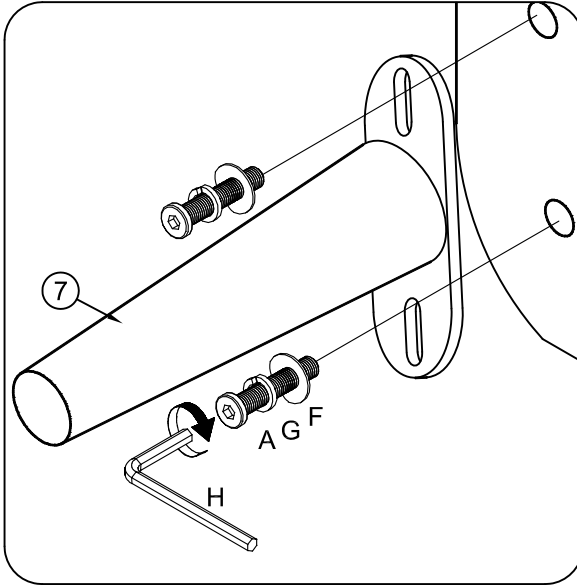


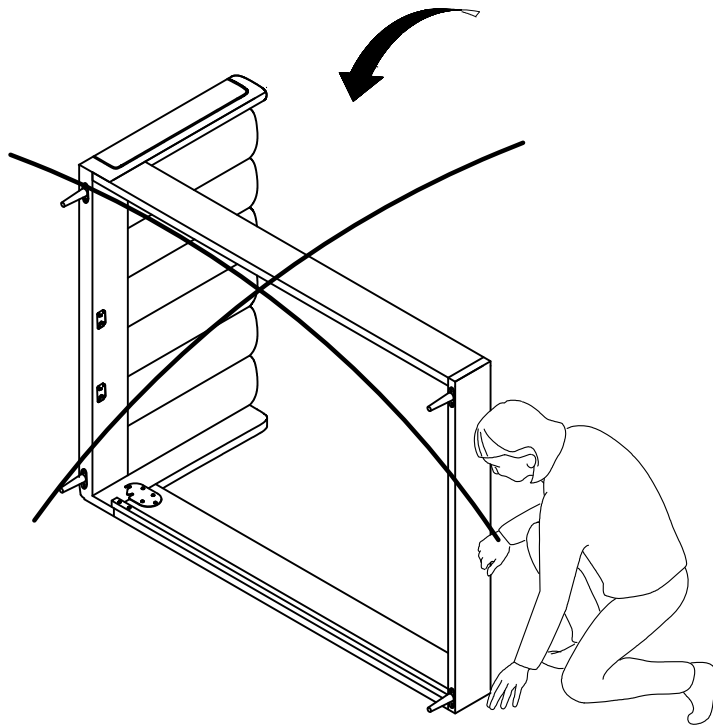
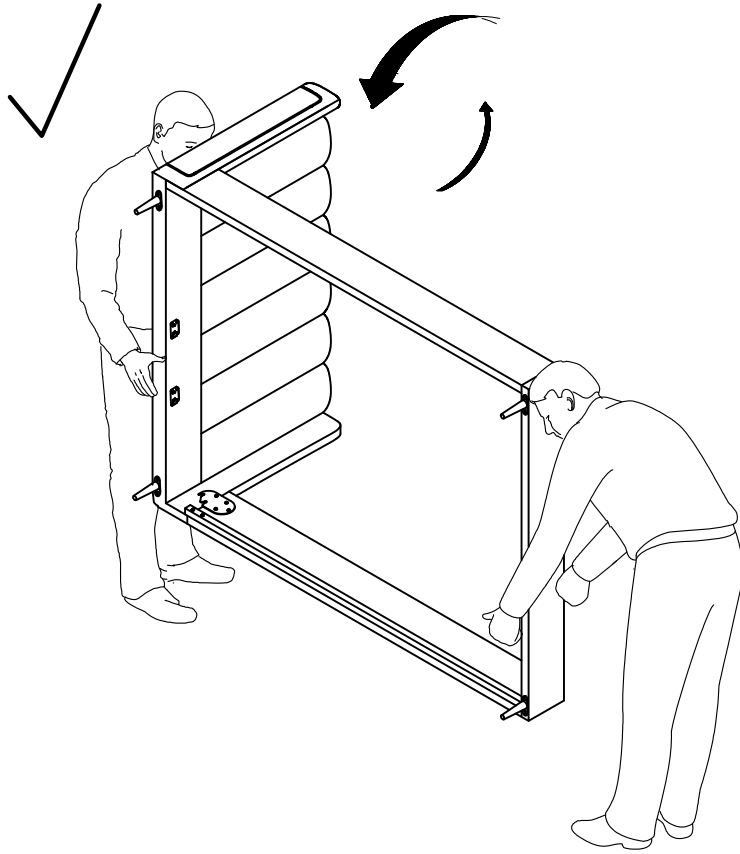
Ø25x3mm

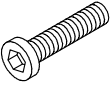

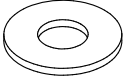
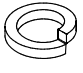
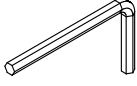



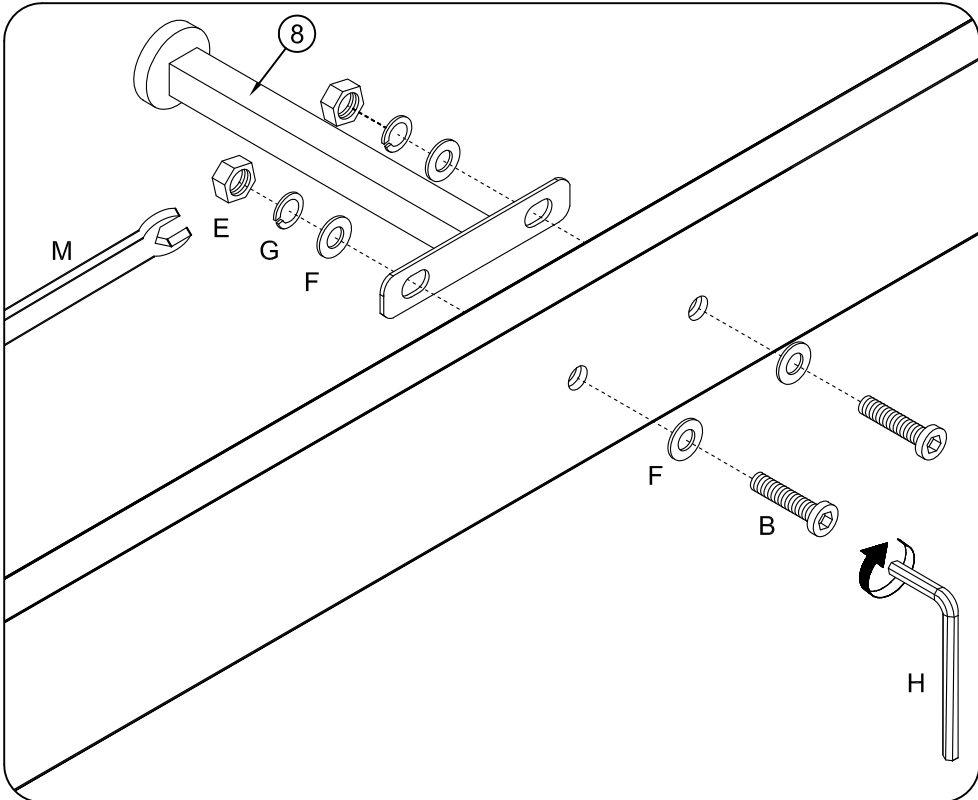
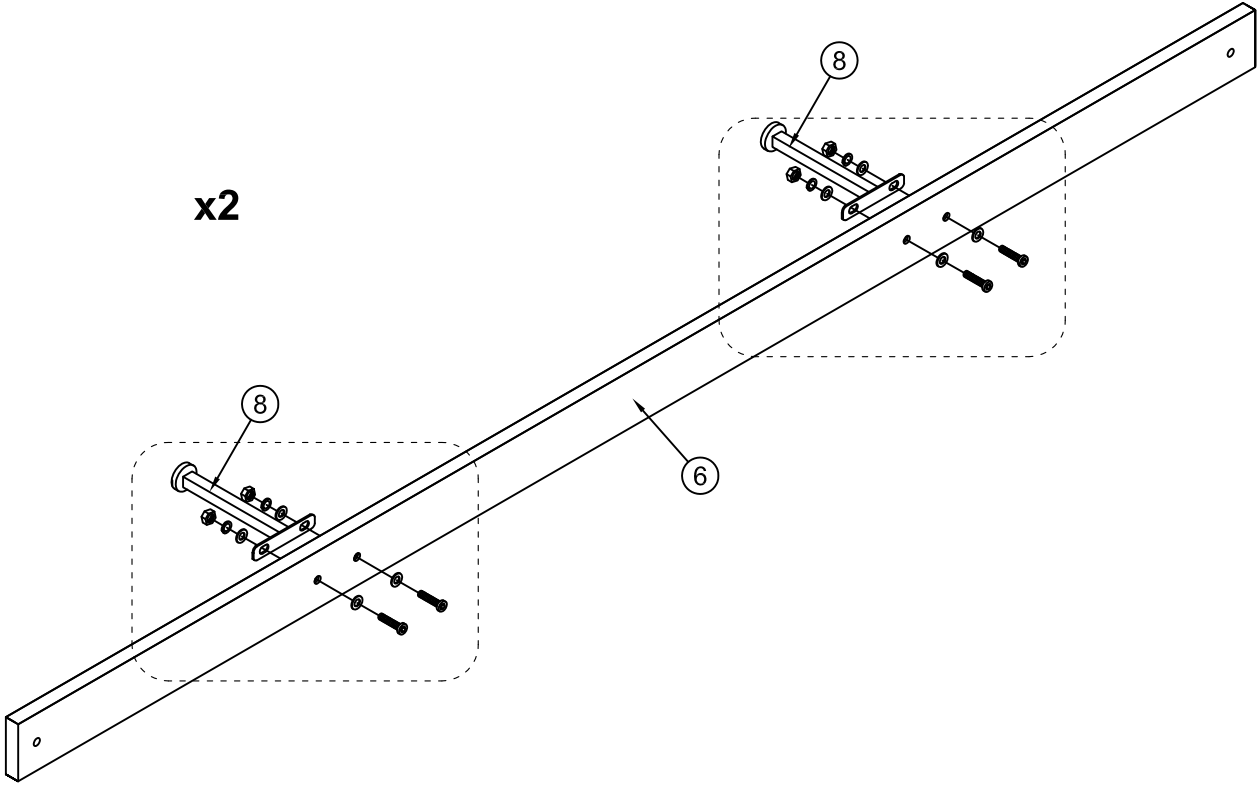
BEFORE TURNING BED, MAKE SURE THE SURFACE BELOW IS CLEAN AND FREE OF DUST. WE RECOMMEND USING TWO PEOPLE TO MOVE THE BED

Ax8  M8x25mm	Fx8  Ø8/Ø19mm	Gx8  Ø8/Ø13mm	Hx1  5mm
---	--	--	---





Bx8  M8x35mm	Ex8  M8/13 mm	Fx16  Ø8/Ø19mm	Gx8  Ø8/Ø13mm	Hx1  5mm	Mx1  13mm
---	--	---	--	---	--



Cx4

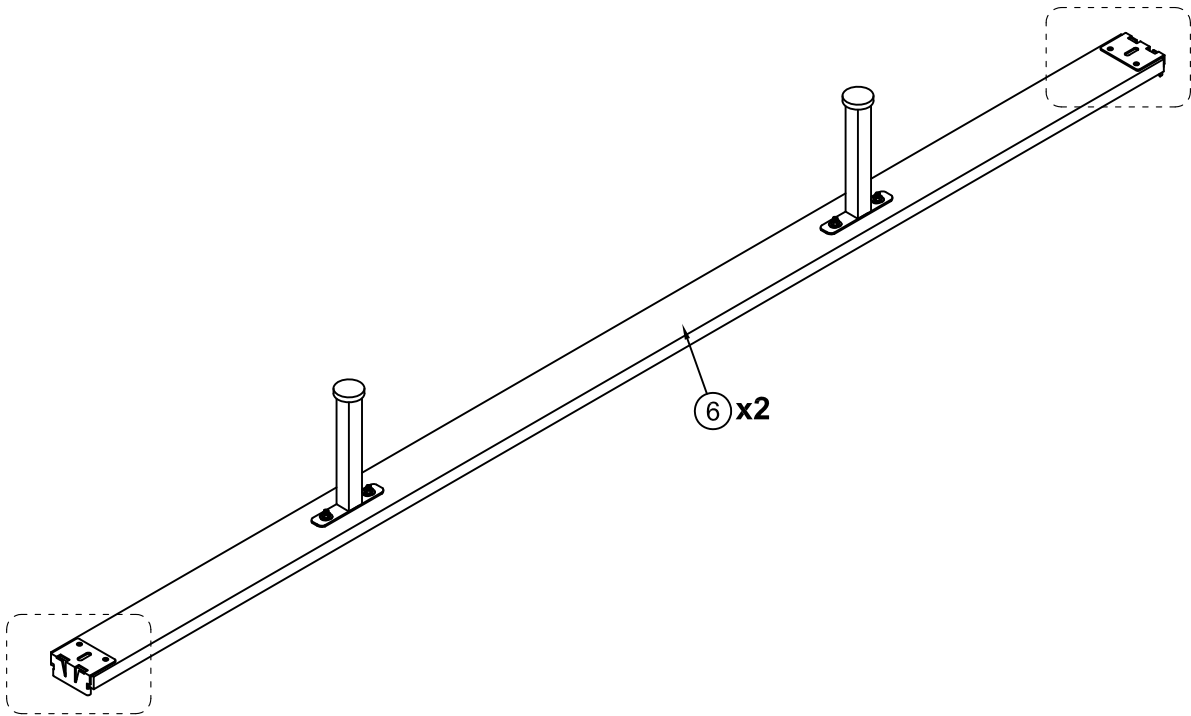
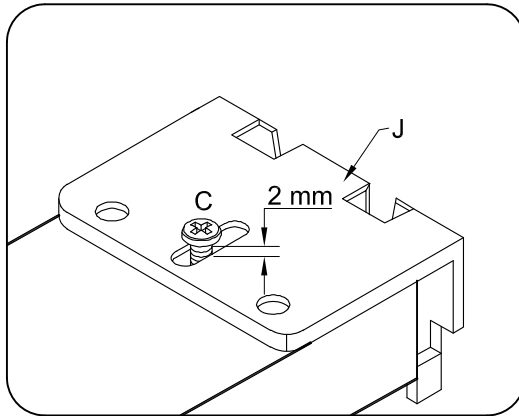
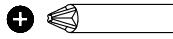


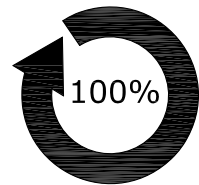
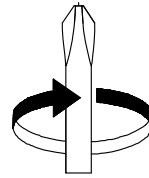
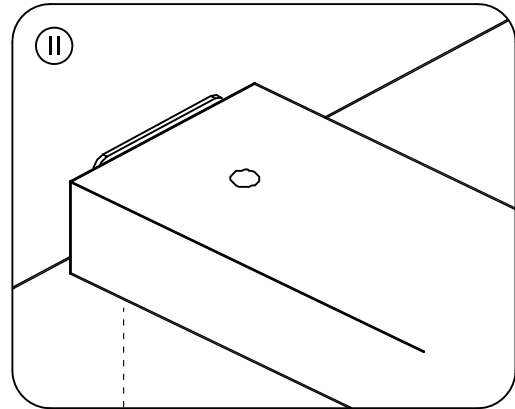
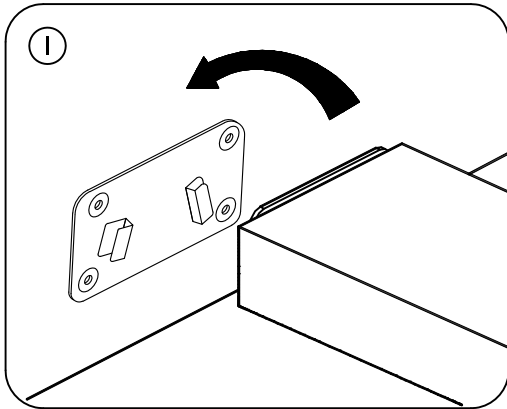
M6x15mm

Jx4



68x47x32mm





NOW TIGHTEN BOLTS TO 100%

