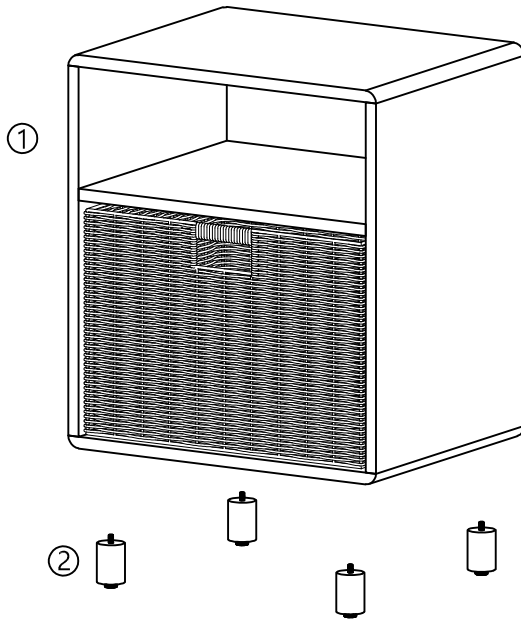


ASSEMBLY INSTRUCTIONS

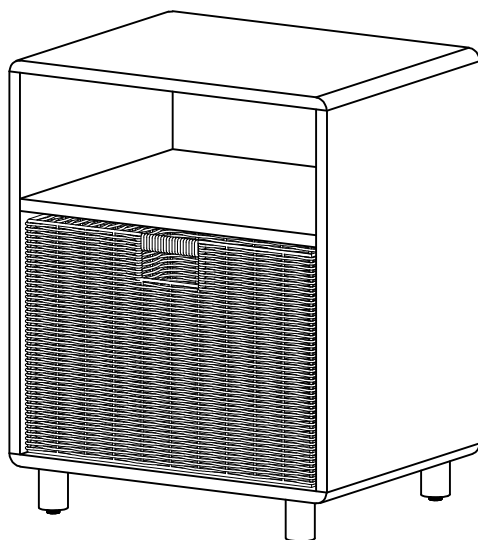
57489 - HUDSON BEDSIDE TABLE

Please read instructions carefully. Remove all wrapping material, staples and packing straps from the carton. See hardware and furniture parts list for guidance. Be sure you have all parts before you start assembling. Place all wooden furniture parts on a clean flat soft surface, such as carpet or rug to prevent from being scratched.



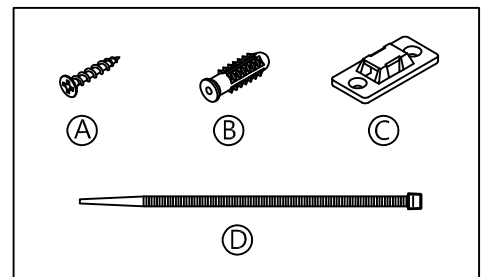
PARTS INCLUDED

- | | |
|--------------|--------|
| 1. Top frame | : 1pc |
| 2. Leg | : 4pcs |



HARDWARE LIST

- | | |
|--------------------|--------|
| A. Screw | : 2pcs |
| B. Rawl plug | : 2pcs |
| C. Plastic bracket | : 1pc |
| D. Plastic strap | : 1pc |



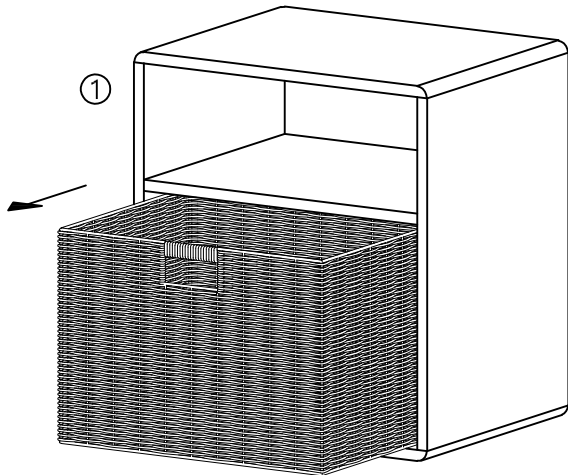
Phillips Head Screwdriver
(Not included)

ASSEMBLY INSTRUCTIONS

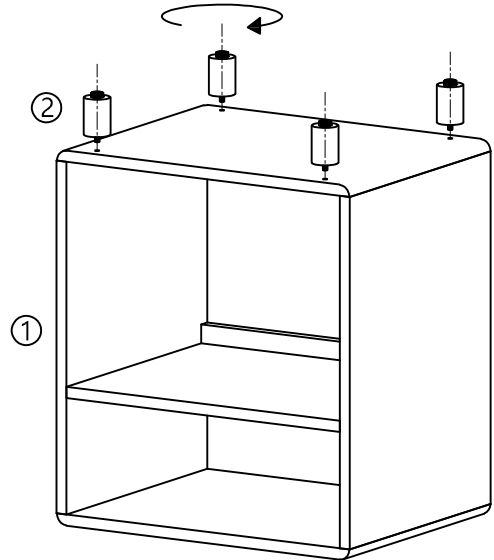
57489 - HUDSON BEDSIDE TABLE

adairs kids

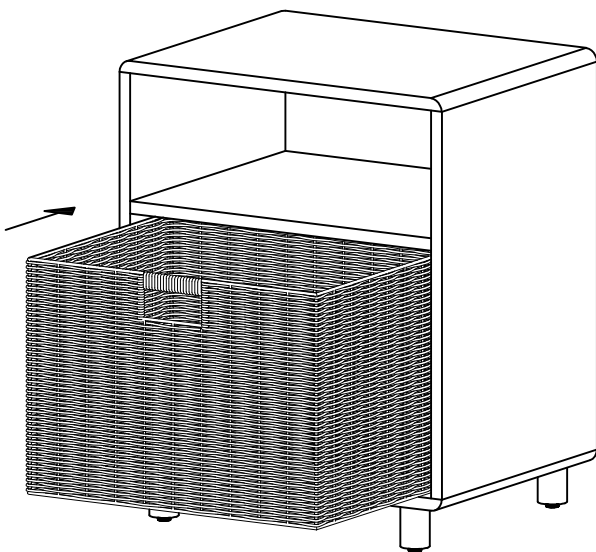
STEP 1



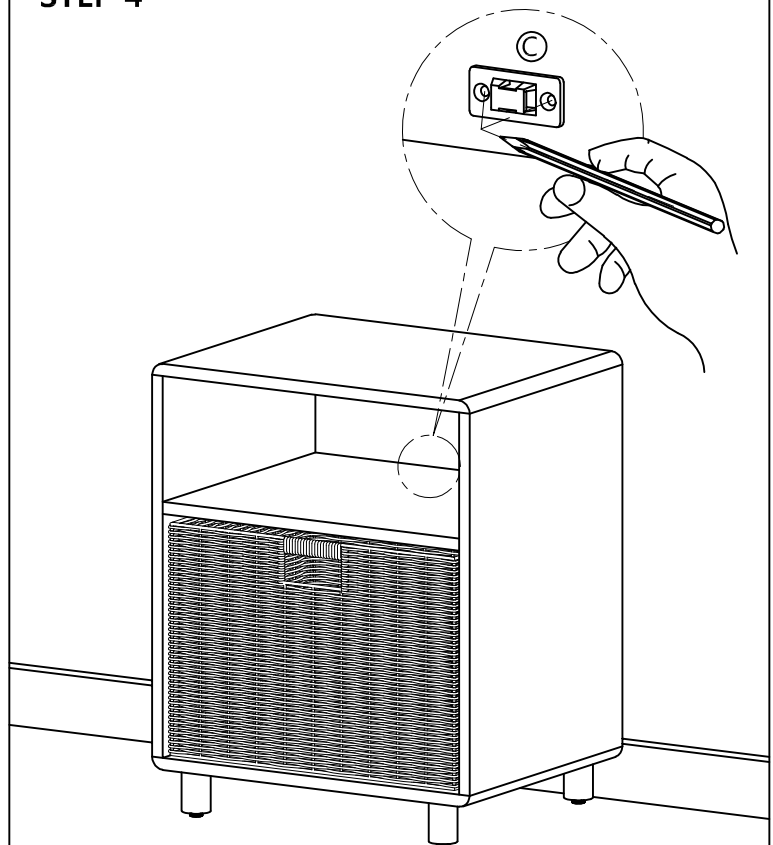
STEP 2



STEP 3



STEP 4

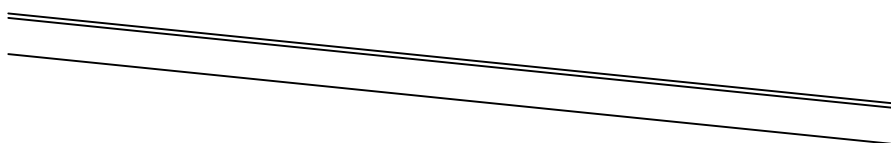
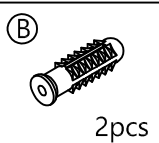
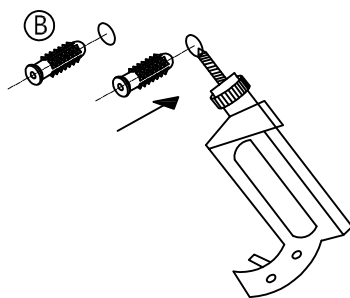


ASSEMBLY INSTRUCTIONS

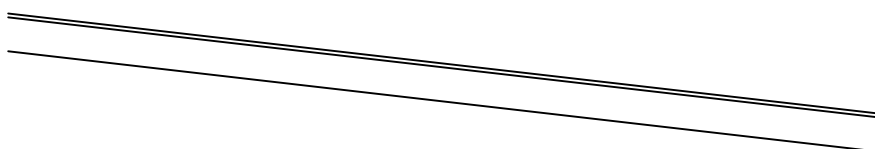
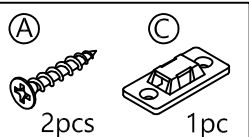
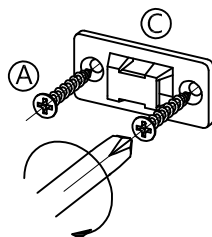
57489 - HUDSON BEDSIDE TABLE

adairs kids

STEP 5

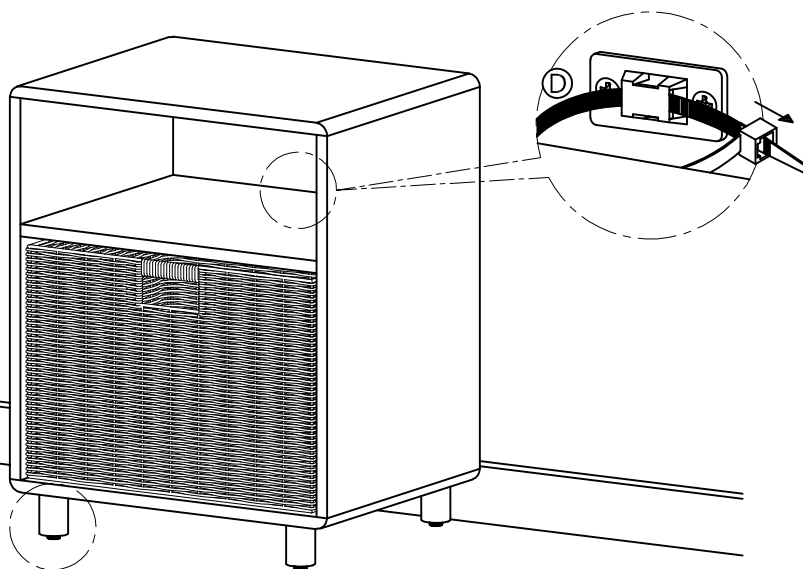
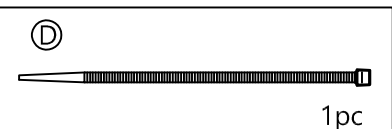
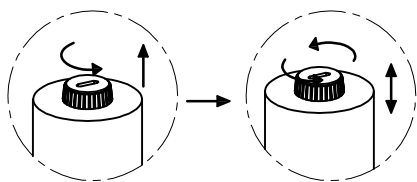


STEP 6



STEP 7

Please note stoppers on base of feet can be tightened or loosened for placement on uneven surfaces.



ASSEMBLY INSTRUCTIONS

57489 - HUDSON BEDSIDE TABLE

adairs kids

WARNING:

It is STRONGLY RECOMMENDED that you ANCHOR this product.

Toppling furniture can cause serious injuries and death.

This product has been fitted with an anchor strap.

To prevent your furniture from tipping forward it is strongly recommended that you **securely attach this product** to a wall or other solid surface, using the anchor strap provided and appropriate fixings.

IMPORTANT:

Regularly check that anchors are securely maintained.

Use safety **drawer locks** to prevent children climbing.

Stability of tall items may be affected by thick pile carpet or uneven floors.

Do not place unanchored televisions on furniture.

CAUTION:

For your safety when attaching the anchor fixings, please note the following:

- Check for any electrical wires or plumbing inside the wall before drilling any holes (if you are unsure please seek professional advice from a qualified tradesperson)
- Walls are constructed from different materials, for example, masonry (solid brick) or plasterboard lined cavity walls (hollow). It is important that you use the appropriate wall fixings for your wall type.
- Your local hardware store will have the necessary drills and fixings and can offer advice if needed. If in doubt, engage the services of a qualified tradesperson to install and anchor the product.