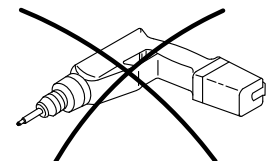
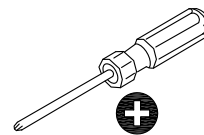
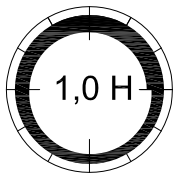
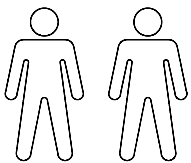
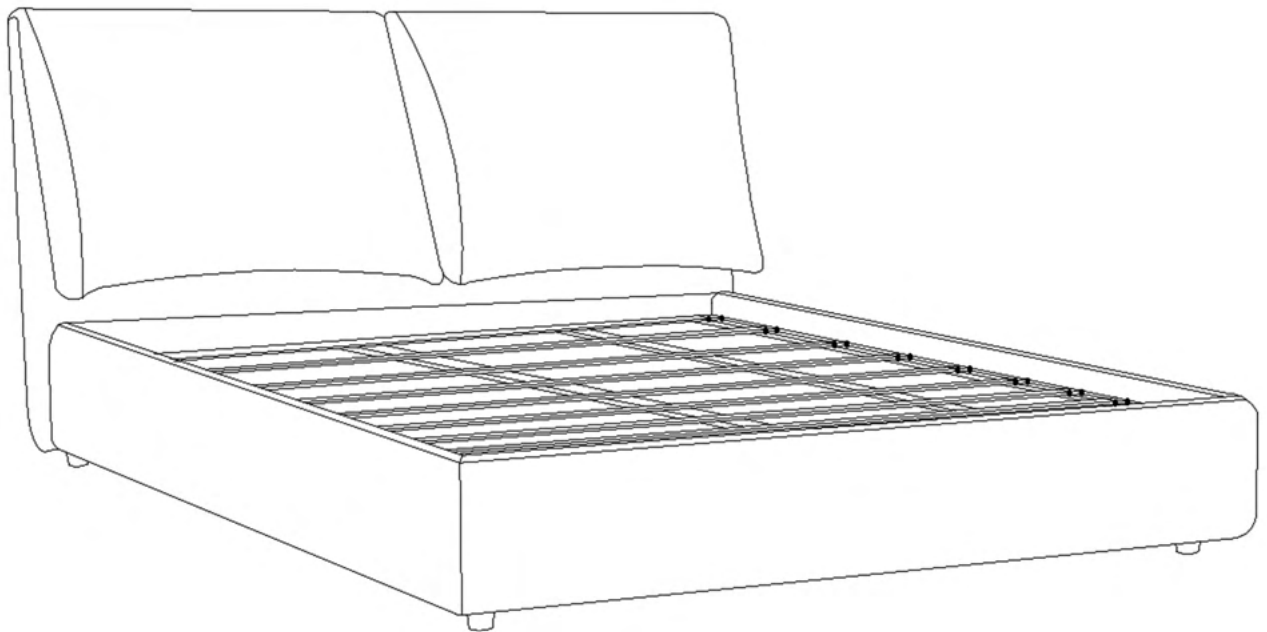


ASSEMBLY INSTRUCTIONS

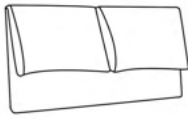
LENNOX BED

Please read instructions carefully. Remove all wrapping material and packing from the carton. See hardware and furniture parts list for guidance. Be sure you have all parts before you start to assemble the product. Place all furniture parts on a clean surface, such as carpet or rug to prevent the item from being scratched.



Part list:

1 x Part 1



Headboard

1 x Part 2



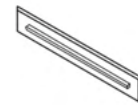
Side Rail Left

1 x Part 3



Footboard

1 x Part 4



Side Rail Right

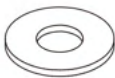
Hardware list:

Ax40



Bolt
Ø8x30mm

Bx44



Washer
Ø8/Ø22

Cx4



Nut
Ø8*6mm

Dx1



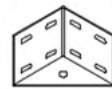
Allen key
Ø 5mm

Ex4



"L" Bracket

Fx4



Angle bracket

Gx4



leg

Hx2



Long Rail

Ix2



Short Rail

Jx4



Corner Cap

Kx32



Screw
Ø6mm

Lx2



Middle Support

Mx8



Bolt
Ø8x40mm

Nx16



Slat

Ox32



Slat cap

Px2



Bolt
Ø8x45mm

Qx1

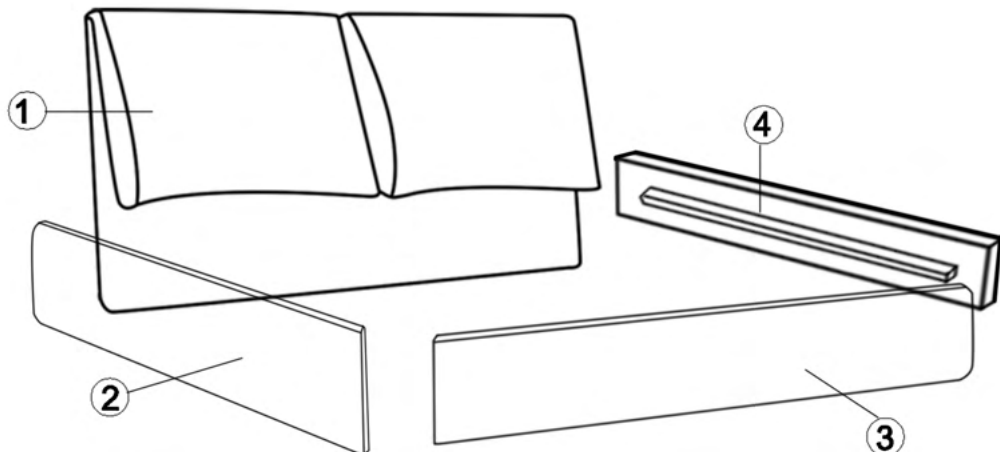


Spanner
Ø13mm

Rx2



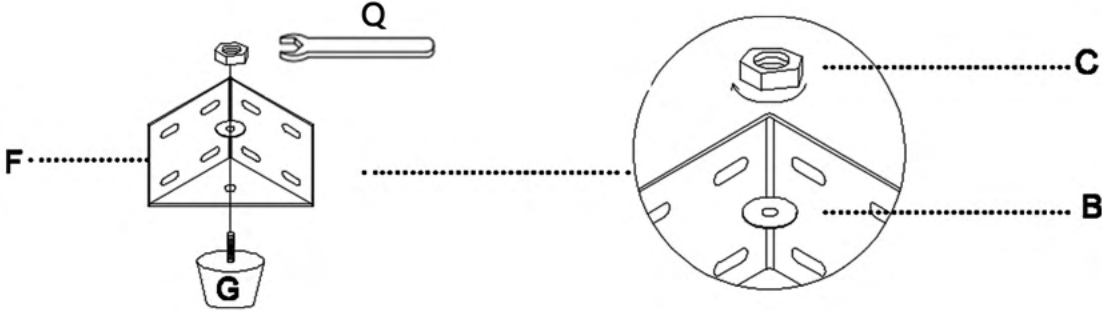
Support leg



1

| | | | | |
|-------------------------|----------------------|----------------------|------------|-------------------------|
| Bx4 Washer Ø8/Ø22 | Cx4 Nut Ø8*6mm | Fx4 Angle bracket | Gx4 leg | Qx1 Spanner M13mm |
|-------------------------|----------------------|----------------------|------------|-------------------------|

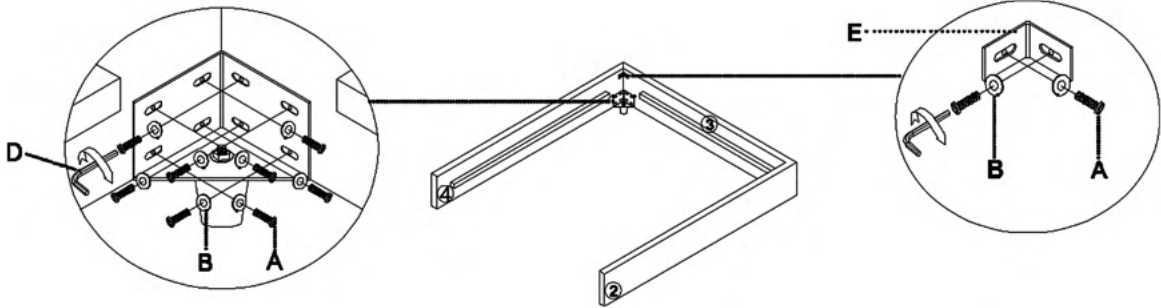
Step 1



2

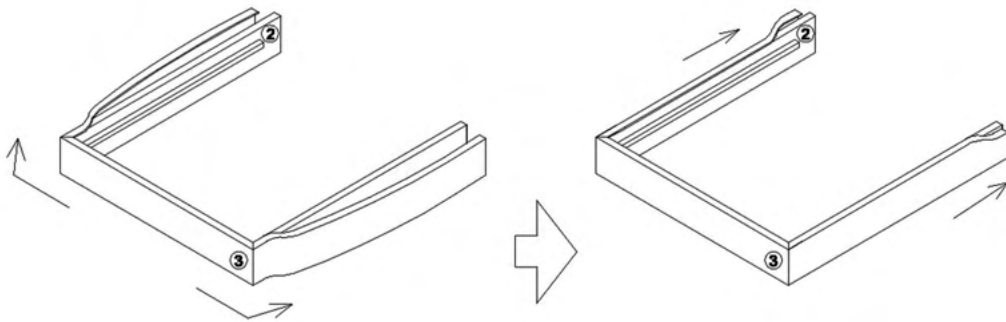
| | | | | |
|-----------------|--------------------------|----------------|----------------------|--------------------|
| Ax20 Ø8x30mm | Bx20 Washer Ø8/Ø22 | Dx1 Ø 8*7mm | Fx2 Angle bracket | Ex2 "L" Bracket |
|-----------------|--------------------------|----------------|----------------------|--------------------|

Step 2



Step 3

NOTE: Please make sure that the fabric cover is in its correct position before removing the Velcro strip cover.

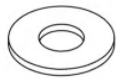


Ax20



Ø 8x30mm

Bx20



Ø 8/Ø 22

Dx1



Ø 8*7mm

Fx2



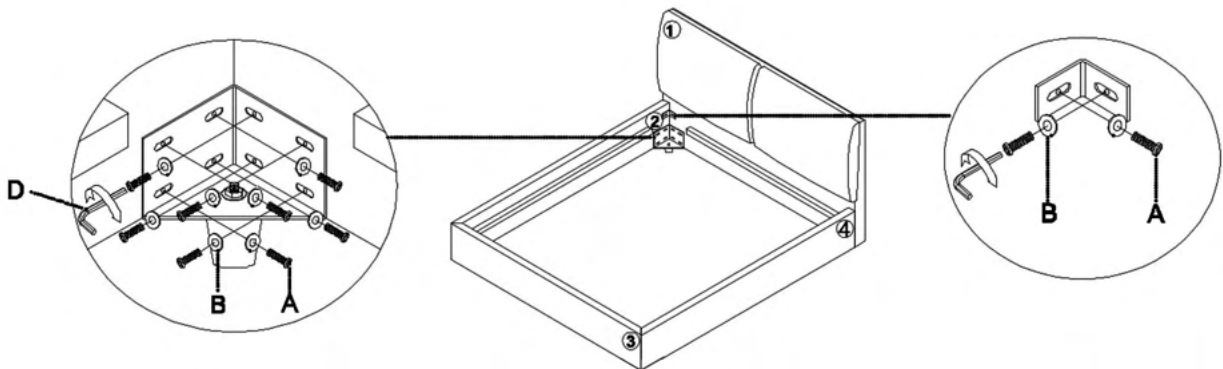
Angle bracket

Ex2



"L" Bracket

Step 4



5

Hx2



Long Rail

Ix2



Short Rail

Jx4



Corner Cap

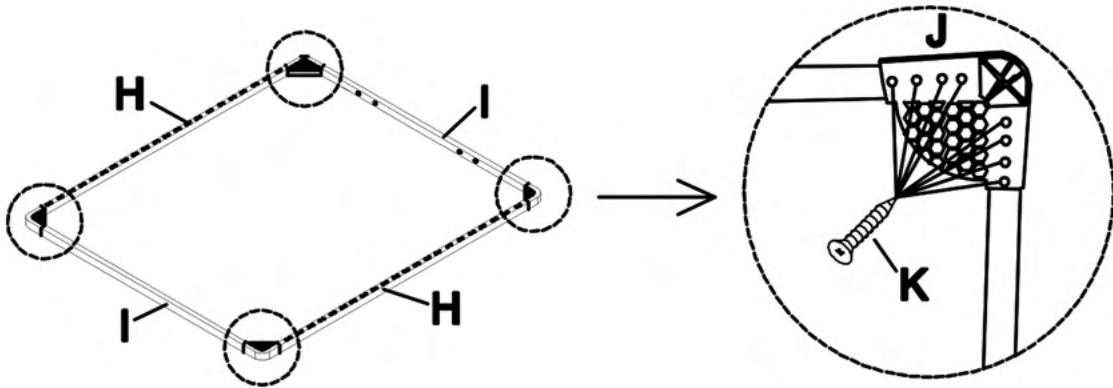
Kx32



Screw
Ø6mm



Step 5



6

Lx2



Middle Support

Dx1



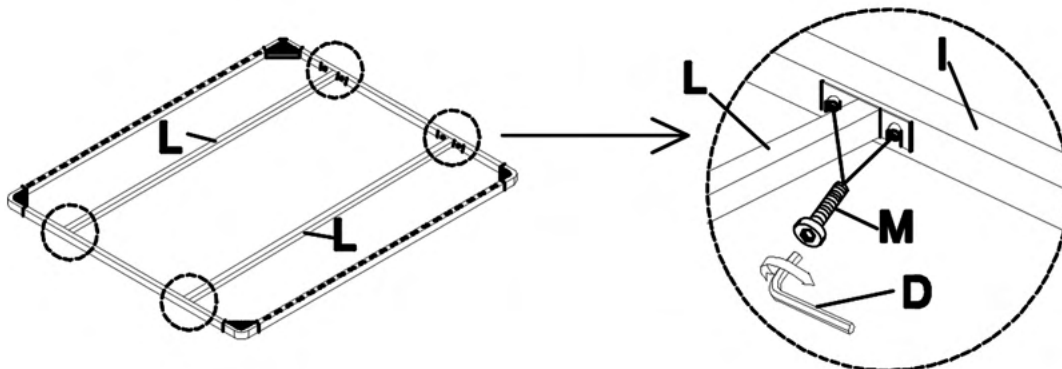
Allen key
Ø 5mm

Mx8



Bolt
Ø 8x40mm

Step 6



7

Nx16



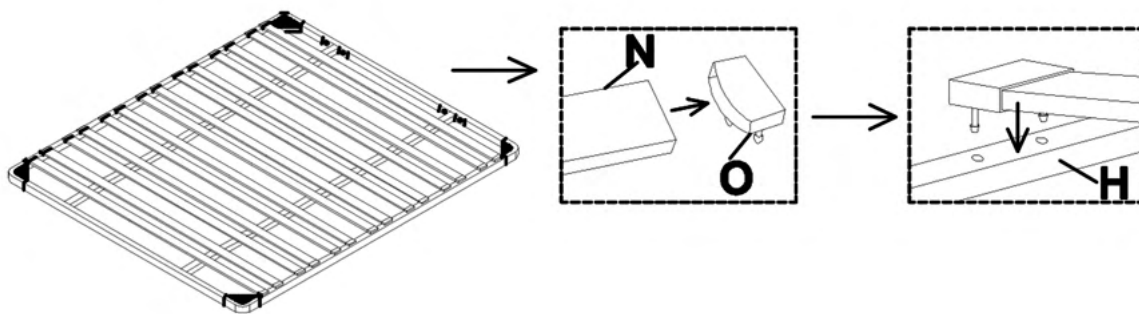
Slat

Ox32



Slat cap

Step 7



8

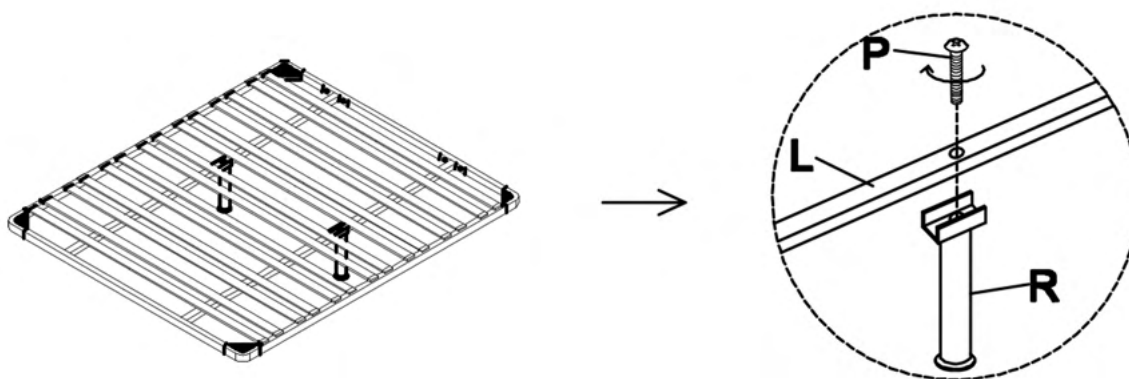
Px2



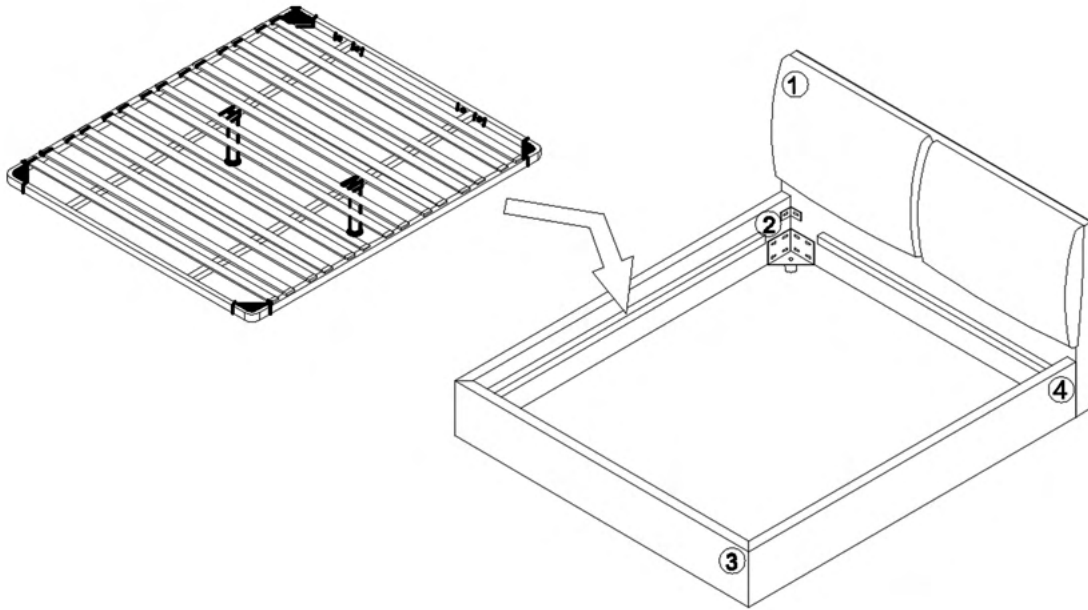
Rx2



Step 8



9



10

