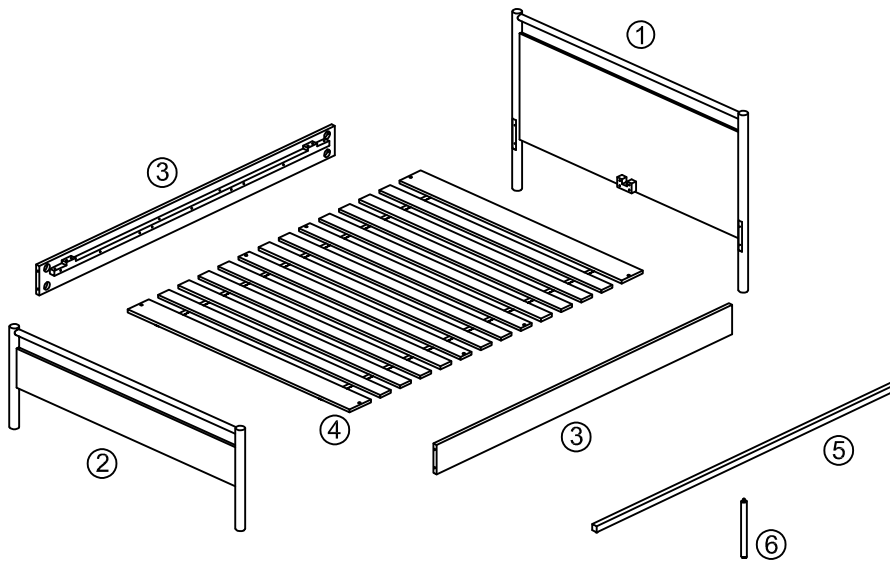


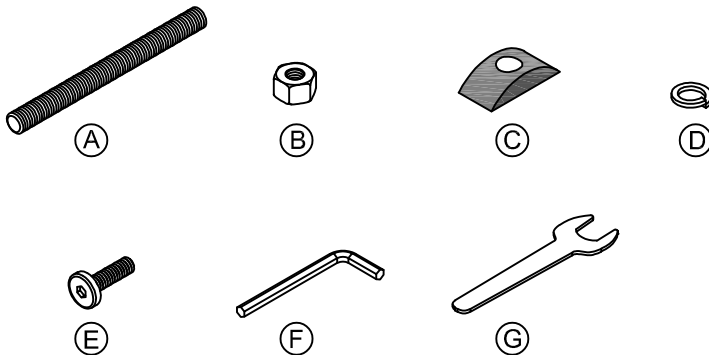
ASSEMBLY INSTRUCTIONS

49980 - NOAH DOUBLE BED



PARTS LIST

1. Headboard	: 1pc
2. Footboard	: 1pc
3. Sideboard	: 2pcs
4. Rail	: 1pc
5. Metal support	: 1pc
6. Metal leg	: 1pc



HARDWARE LIST

A. Bolt joint	: 8pcs
B. Nut	: 8pcs
C. Half moon bracket	: 8pcs
D. Spring washer	: 8pcs
E. Bolt	: 8pcs
F. Allen key	: 1pc
G. Spanner	: 1pc

MAXIMUM WEIGHT LOAD: 220 LBS/ 100 KGS.

FOR ASSEMBLY

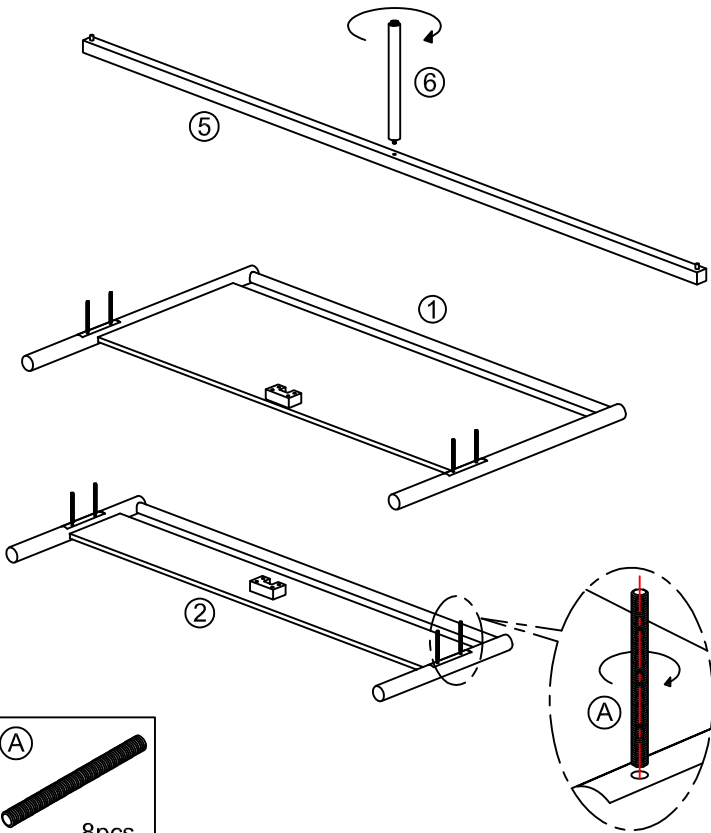
- First, check the content to make sure that nothing is missing.
- Sort out the parts and fittings as shown.
- Assemble the product step by step.
- It is preferable to rest the product on a soft surface to avoid damage during assembly.
- Do not overtighten screws and fittings.
- Re-tighten all screws and fittings periodically.

Adairs Retail Group Pty Ltd
 2 International Court, Caribbean
 Business Park, Scoresby 3179
 T 61 3 8888 4500
www.adairs.com.au www.adairs.co.nz

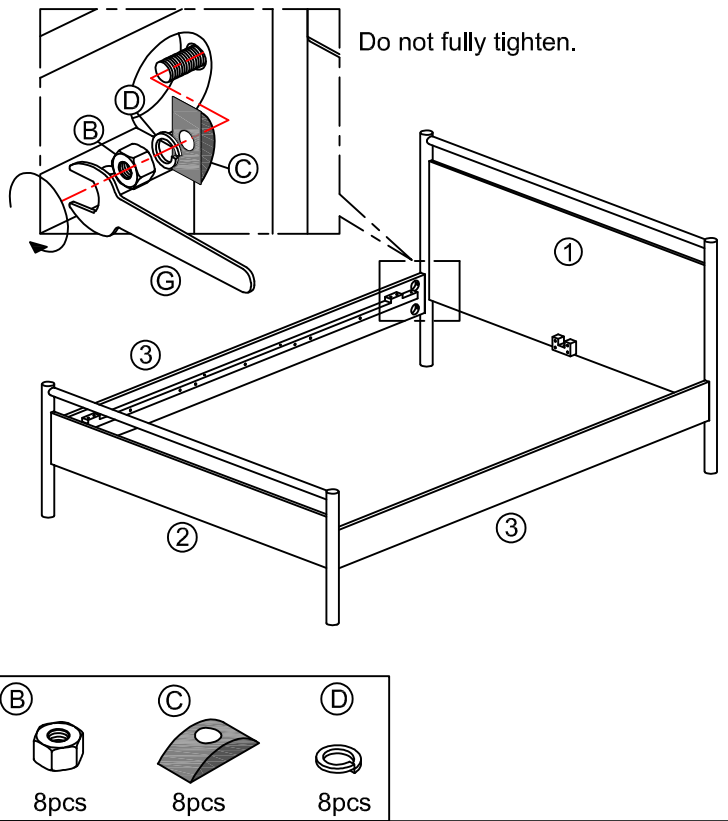
ASSEMBLY INSTRUCTIONS

49980 - NOAH DOUBLE BED

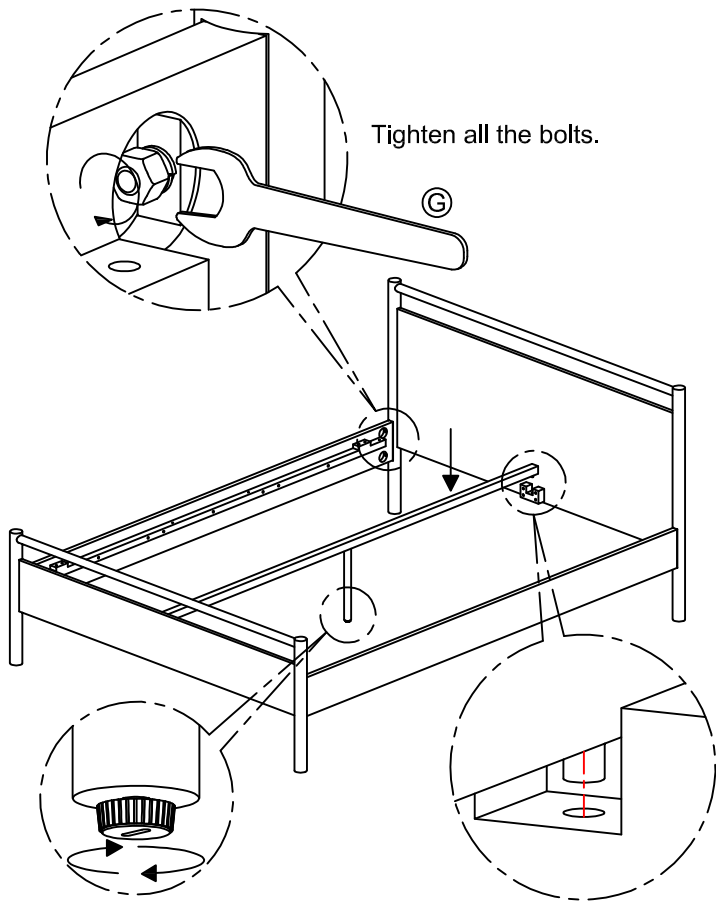
STEP 1



STEP 2



STEP 3



STEP 4

